



ENGLISH

Datasheet

DC Axial Fan, 92.5 x 92.5 x 25mm, 75m/h, 2W, 12 V dc (OD9225 Series)

RS Stock number [541-5075](#)



Frame and Impeller

PBT, UL94V-0 Thermoplastic

Available Options

Tachometer

Locked Rotor Alarm

Finger Guard: G92-16

Plastic Guard: G92P

Wire Mesh Guard: WMG92M

Filter Kit: GRM92-30, GRM92-45

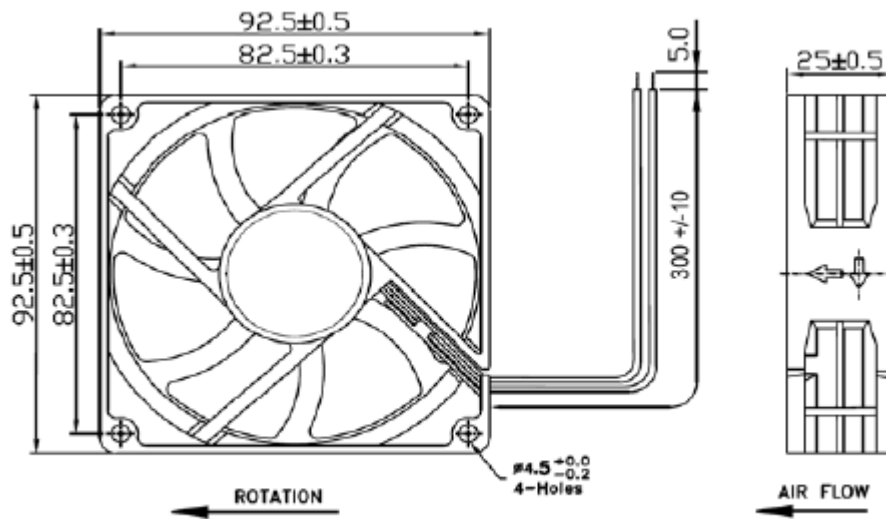
RS Part Number	Orion Part Number	Speed (RPM)	Airflow (CFM)	Noise (db)	Volts (DC)	Voltage Range	Current (Amps)	Lead Type
5415081	OD9225-12HB	2900	52	31	12	7.0~13.6	0.25	Wire
5415075	OD9225-12MB	2500	43	25	12	7.0~13.6	0.17	Wire
5415069	OD9225-12LB	2000	36	22	12	7.0~13.6	0.13	Wire
5415334	OD9225-24HB	2900	52	31	24	10~27	0.15	Wire
5415328	OD9225-24MB	2500	43	25	24	10~27	0.12	Wire
5415312	OD9225-24LB	2000	36	22	24	10~27	0.08	Wire

Data Tolerance +/- 10%



Drawing(mm):

ENGLISH



*Drawing for Dimensional Reference Only

MOTOR

Brushless DC, polarity protected, locked rotor protected (current limited), auto restart

INSULATION RESISTANCE

Min. 10 M Ohm at 500VDC

LIFE EXPECTANCY (L10)

Ball Bearing 60,000 Hours

Operating Temperature

-10C ~ +70C

Safety Approvals

UL/CUL, TUV, CE