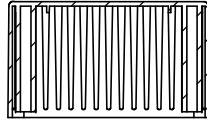


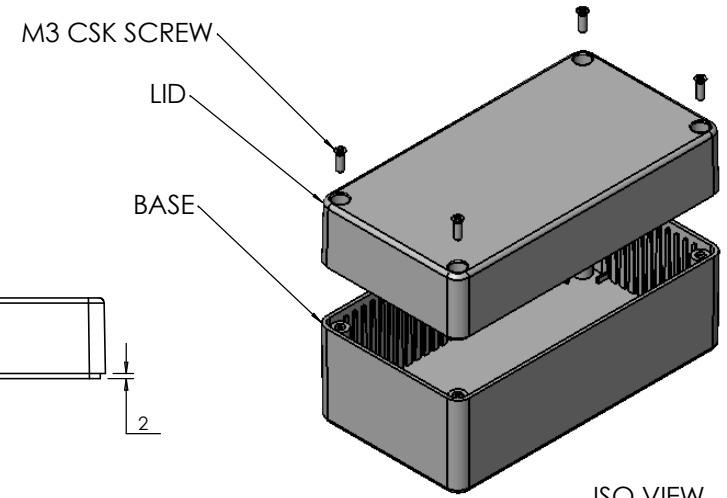
OVERALL ASSEMBLY DIMENSIONS:

EXTERNAL - 150 x 80 x 76

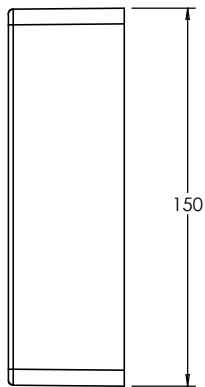
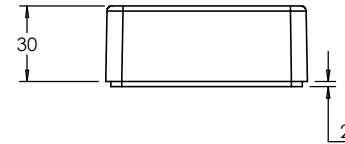
INTERNAL - 146.4 x 76.4 x 72.4



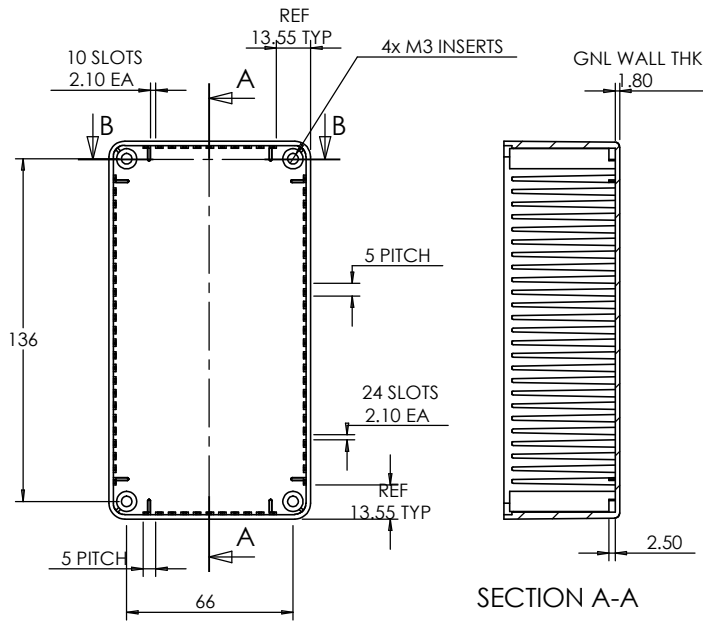
SECTION B-B



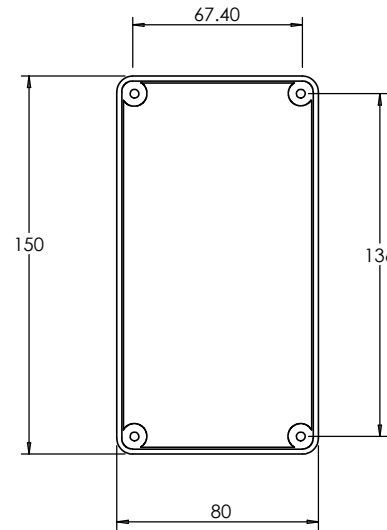
ISO VIEW



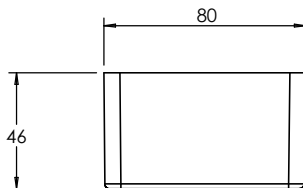
BASE



SECTION A-A



LID



<p>JAMES CARTER RD, MILDENHALL, SUFFOLK. IP28 7DE TEL: 01638 716101 FAX: 01638 716554 EMAIL: Sales@CamdenBoss.com WEB: www.CamdenBoss.com</p>				UNLESS OTHERWISE SPECIFIED: DIMENSIONS ARE IN MILLIMETERS		DO NOT SCALE DRAWING		REVISION. 0		
				FINISH. SMOOTH		TITLE: ASSEMBLY DRG FOR 2005,25				
DRAWN S.HARDINGE		SIGNED SJH		DATE 05/10/05		MATERIAL. ABS		DWG NO. 2005,25		A4
CHKD -		-		-		PROJECTION.		SCALE: 1:3		SHEET 1 OF 1