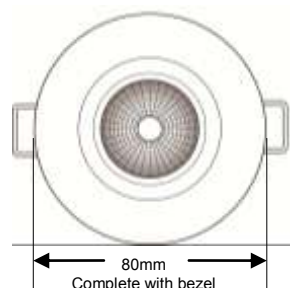
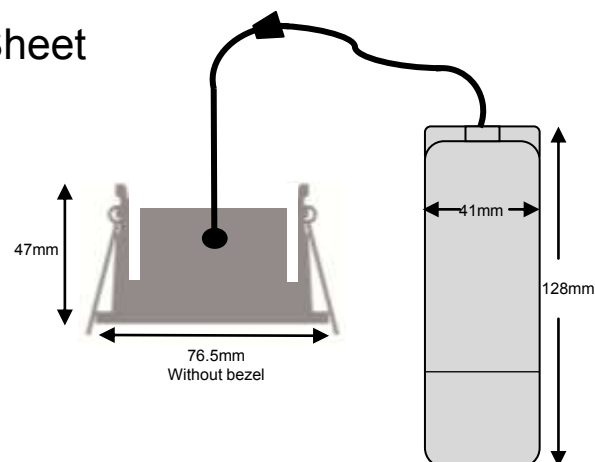


## Data Specification Sheet



Shown with Bezel (not included)



### IP65 LED Fire Rated Downlight c/w Dimmable Driver

<b>Description</b>	IP65 LED Fire Rated Downlight c/w Dimmable Driver		
<b>Code</b>	851-2968 Warm White IP65 LED Fire Rated Downlight 851-2980 Cool White IP65 LED Fire Rated Downlight		
<b>Code – Bezel Only</b>	858-0958 – Matt White Bezel	858-0942 – Brass Bezel	858-0949 – Chrome Bezel 858-0945 – Brushed Chrome Bezel
<b>Bezel Diameter</b>	80mm		
<b>Rim Diameter</b>	76.5mm		
<b>Cut Out</b>	64mm		
<b>Minimum Depth (Void)</b>	75mm		
<b>Total length of driver lead</b>	300mm		
<b>Weight</b>	0.29Kg		
<b>Recommended product location</b>	Indoor Outdoor		
<b>Finishes available (Bezels sold separately)</b>	Matt White, Brass, Chrome, Brushed Chrome		
<b>Control Gear Type</b>	8W 180mA SELV LED Dimmable Driver supplied pre-wired to downlight		
<b>Lamp Supplied</b>	Fixed non-replaceable 8W COB LED		
<b>Class</b>	Class II. Must not be Earthed		
<b>IP</b>	IP65		
<b>Photometric Testing</b>	Yes		
<b>Lumen Output</b>	460lm Warm White – 530lm Cool White		
<b>Beam Angle</b>	38°		
<b>Dimmable</b>	Yes		
<b>Instruction sheet</b>	Yes		
<b>Origin of manufacture</b>	China		
<b>Main materials:</b>			
• <b>Chassis</b>	Pressed Steel		
• <b>Body</b>	Die cast		
• <b>Bezel</b>	Die cast		
<b>Method of fix</b>	Twin fixed spring		
<b>Electrical Connections</b>	Loop in 10Amp L.N. + Earth Park Nylon Connector, Push-in Terminals		
<b>CE mark</b>	Yes		
<b>Batch coding details on product</b>	Yes		
<b>Certificate of Conformity (Held on File)</b>	Yes		
<b>Manufactured in accordance</b>	EN60598-1 General requirements EN60598-2-1 Fixed general purpose luminaires EN60598-2-2 Recessed luminaires BS5250 (Energy efficiency, Useful heat loss and passage of condensation), BS ISO 10140 : Acoustics : Building Elements Part P (Installation requirements) BS476 – Part 21 & Part 23 Fire rating		