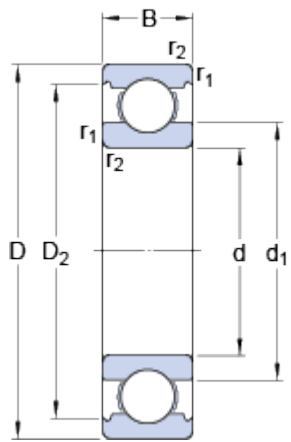


# 6308

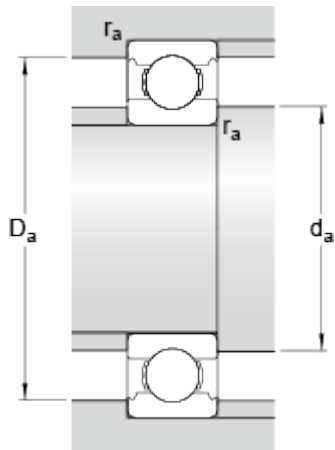
SKF Explorer

## Dimensions



$d$		40	mm
$D$		90	mm
$B$		23	mm
$d_1$	≈	56.11	mm
$D_2$	≈	77.7	mm
$r_{1,2}$	min.	1.5	mm

## Abutment dimensions



$d_a$	min.	49	mm
$D_a$	max.	81	mm
$r_a$	max.	1.5	mm

## Calculation data

Basic dynamic load rating	$C$	42.3	kN
Basic static load rating	$C_0$	24	kN
Fatigue load limit	$P_u$	1	kN
Reference speed		17000	r/min
Limiting speed		11000	r/min
Calculation factor	$k_r$	0.03	
Calculation factor	$f_0$	13.2	

## Mass

Mass bearing		0.627	kg
--------------	--	-------	----