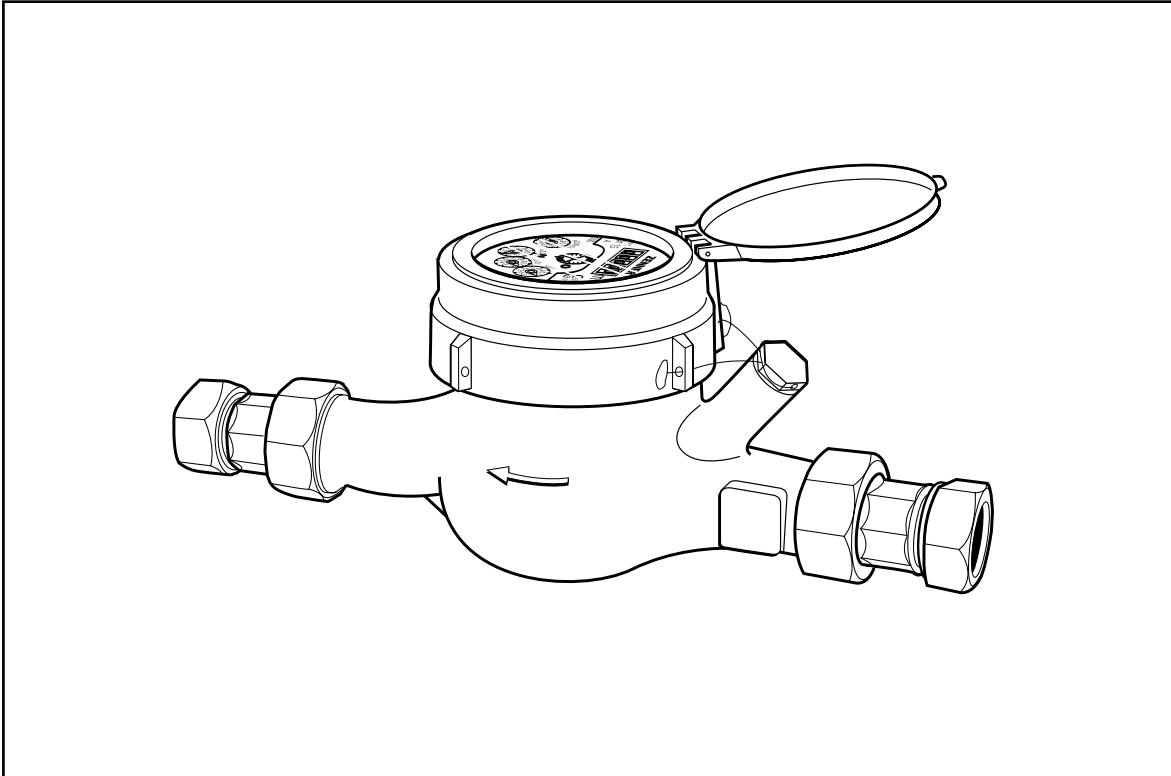




Product Specification Sheet

Multi-Jet Cold Water Meter - Wet Dial



Robust horizontal multi-jet turbine water meters for general purpose applications.

Product Features and Benefits

- Wet dial meter gives **total solution to all types of installations and applications for potable water.**
- **Very accurate metering capability at very low flow rates.**
- Approval to classes 'B' and 'C' for horizontal installation.
- **Simple operation enables capability of coping with a wide range of water qualities.**
- Careful design consideration **ensures silent operation.**
- Supplied complete with nuts, tails and washers, compression fittings or capillary fittings.

Multi-Jet Cold Water Meter - Wet Dial

Description

Used for general metering purposes in domestic or small commercial and industrial applications where very low flow rates need to be recorded, these wet dial water meters are suitable for both single and multiple outlets with good water quality. Designated as a class 'B' or 'C' meter, it has a direct coupling to the dial from the turbine, can be fitted horizontally and is suitable for water operating temperatures of up to 30°C.

Product Range

Class C

- WATM 200 010: 1/2" MBSP cold water wet dial meter
- WATM 200 011: 15mm cold water wet dial meter
- WATM 200 012: 15mm capillary cold water wet dial meter
- WATM 200 013: 3/4" MBSP cold water wet dial meter
- WATM 200 014: 22mm cold water wet dial meter
- WATM 200 015: 22mm capillary cold water wet dial meter

Class B

- WATM 200 016: 1" MBSP cold water wet dial meter

Materials

Main Body:	Cast Brass
Head Ring:	Stamped Brass
Turbine:	Polyamide Polymer
Counter Casing:	Polycarbonate
Counter Components:	Polystyrene
Gears:	Acetyl Polymer
Glass Plate:	ASA Polymer, UV modified
Bearing:	Polysulfone Polymer
Seals:	Elastomer
Protective Coating:	Epoxy

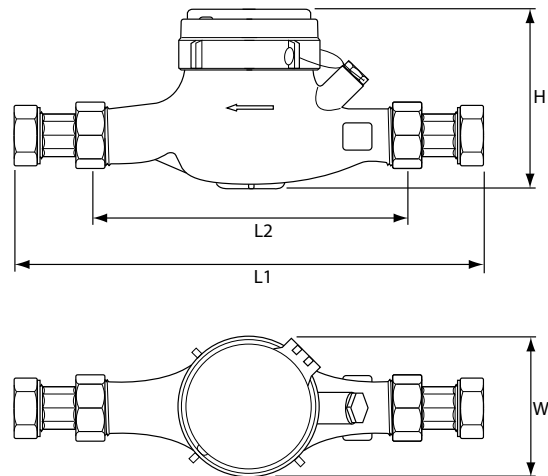
Standards

Manufactured in an ISO 9001 registered company.
Conforms to ISO 4064 Part 1 (Horizontal installation).

Nominal Flow Rates

- WATM 200 010 - 1.5m³/h
- WATM 200 011 - 1.5m³/h
- WATM 200 012 - 1.5m³/h
- WATM 200 013 - 2.5m³/h
- WATM 200 014 - 2.5m³/h
- WATM 200 015 - 2.5m³/h
- WATM 200 016 - 3.5m³/h

Dimensions



	Connection	L1	L2	H	W
WATM 200 010	1/2" MBSP	245	165	120	100
WATM 200 011	15mm compression	240	165	120	100
WATM 200 012	15mm capillary	215	165	120	100
WATM 200 013	3/4" MSBP	288	190	120	100
WATM 200 014	22mm compression	275	190	120	100
WATM 200 015	22mm capillary	230	190	120	100
WATM 200 016	1" union	378	260	130	100

All dimensions in mm unless stated

Specifications

Maximum pressure:	16 bar
Pressure loss at Q _{max} :	1 bar
Maximum operating temperature:	30°C

How to Specify

A horizontal multi-jet, dry dial cold water meter for general metering purposes for use with either single or multiple outlets. Normal operating temperatures will be up to 30°C for Class B and C applications (include correct product range code).



Reliance Water Controls®
Worcester Road, Evesham, Worcestershire, WR11 4RA, UK
Tel: +44 (0)1386 712400 Fax: +44 (0)1386 712401 www.rwc.co.uk

