

Mounting bracket
with strain
relief option

Increased
inner height

Dirt-repellent
exterior

One-piece design,
non snap-open

Very large inner height, small outer width

When to use the Series 11.1·11.2 E2 mini:

- If an e-chain® with an inner height of 41 mm and small bending radii are required
- For inner widths up to 25 mm
- For unsupported lengths up to 1,35 m and fill weights up to 1,5 kg/m
- If space is restricted
- If many cables are arranged vertically adjacent
- If a one-piece, non snap-open e-chain® is required



When to use a different igus® Series:

- If extremely quick opening of the links is necessary
- ▶ **similar width/height from Series zipper, chapter 4**
- If quick insertion of cables with preassembled connectors is required
- ▶ **similar width/height from Series easy chain®, chapter 3**

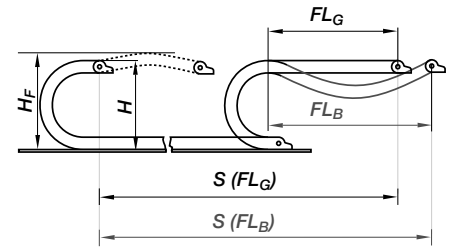
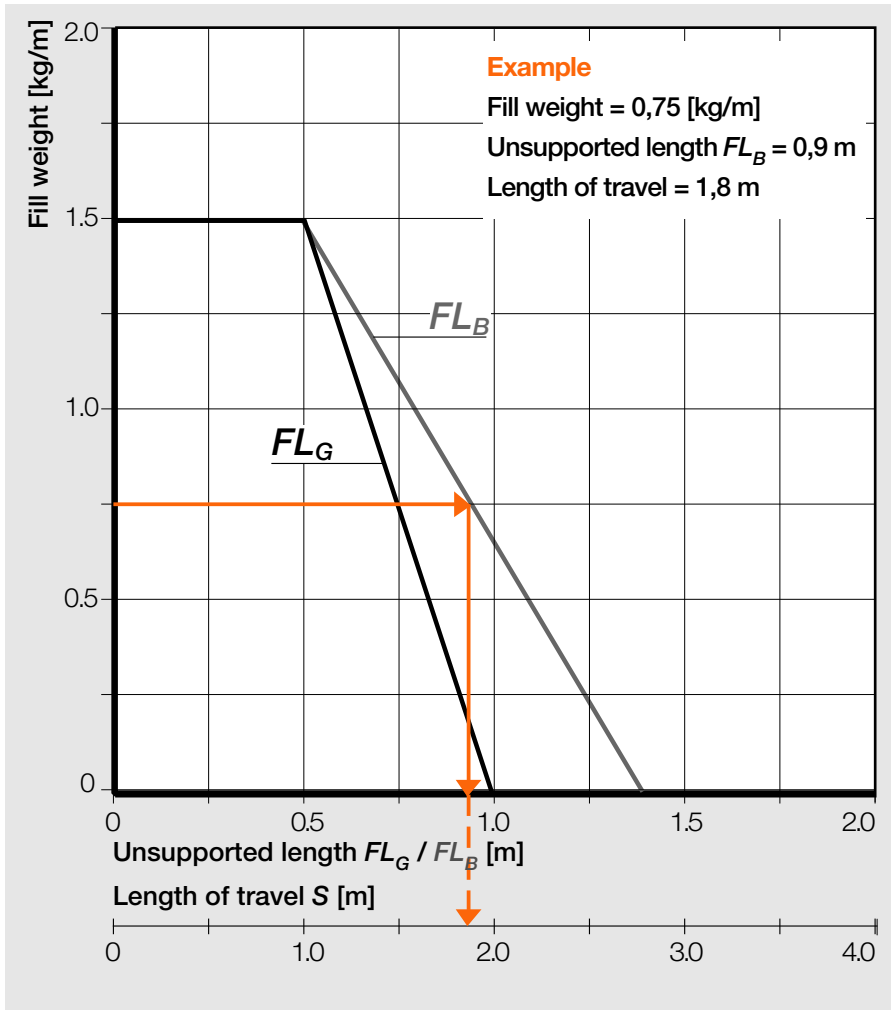


Available from stock. Delivery in 24h or today!*

*Delivery time means time until shipping of goods



3D-CAD files, configurators, PDF ▶ www.igus.de/en/11.1



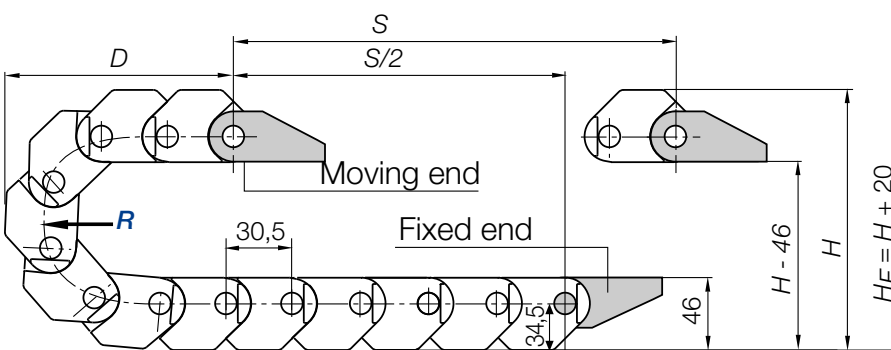
Standard **Unsupported applications**

Unsupported e-chains® feature positive camber over short travels. This must be accounted for when specifying the clearance height H_F . Please consult igus® if space is particularly restricted. More information ► **Design, page 1.8**

Technical Data

Speed, material, temperature and flammability class ► **page 5.78**

Pitch = 30,5 mm/link
Links/m = 33 (1.006,5 mm)
Chain length = $S/2 + K$



R	040	063	075	100
H	149	195	219	269
D	120	143	155	180
K	190	260	300	380

The required clearance height: $H_F = H + 20$ mm (with 0,5 kg/m fill weight)

- i** FL_G = with straight upper run **S** = Length of travel **H** = Nominal clearance height **D** = Overlength e-chain®, radius in final position
- FL_B = with permitted sag **R** = Bending radius H_F = Required clearance height **K** = $\pi \cdot R + \text{"safety"}$



Series 11.1·11.2 | One-piece, non snap-open e-chain®

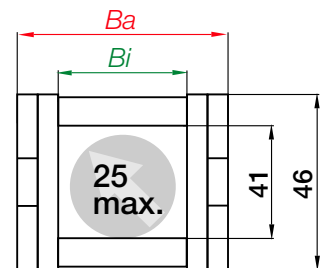
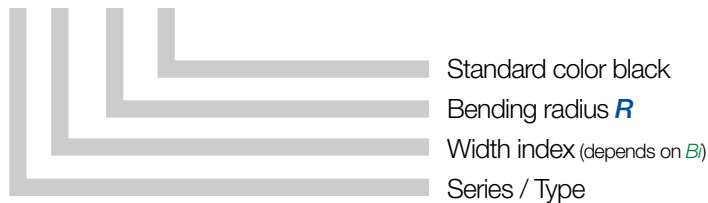
non snap-open	<i>Bi</i> [mm]	<i>Ba</i> [mm]	<i>R</i> Bending radii [mm]	Weight [kg/m]
11.1 . <i>R</i> .0	15	25,5	040 063 075 100	≈ 0,50
11.2 . <i>R</i> .0	25	35,5	040 063 075 100	≈ 0,53

Supplement Part No. with required radius (*R*). Example: **11.1.040.0**



Order key

11.1.040.0



11.1.040.0 = non snap-open e-chain®, *Bi* 15 mm inner width, *R* 040 mm radius, color black

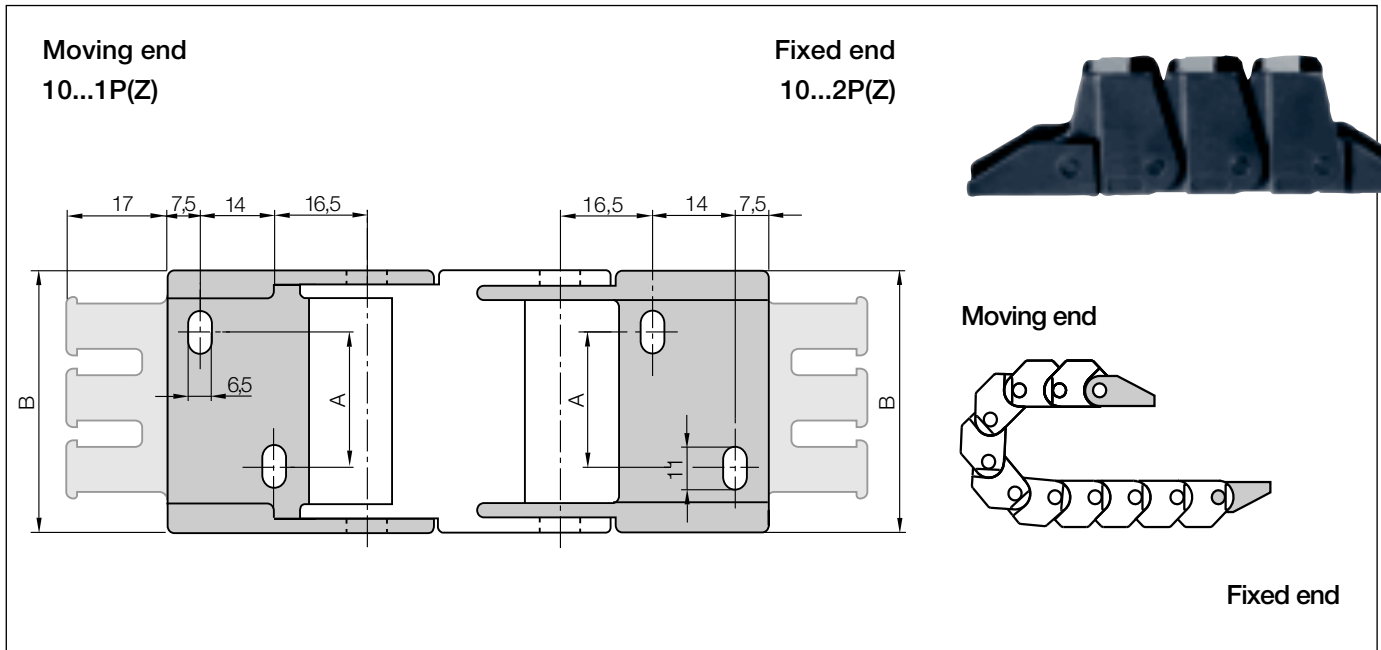
More order examples and configuration options ► page 5.104



Standard e-chains® available from stock. Delivery in 24h or today!*

*Delivery time means time until shipping of goods

E2 mini | Series 11.1·11.2 | Mounting brackets locking

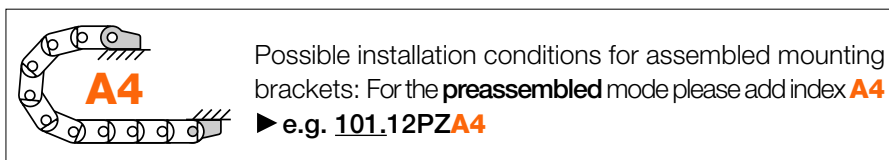


Polymer locking, one-piece | Universal for e-chains®
Recommended for unsupported applications

Width Index	Part No. full set with tiewrap plates	Part No. full set without tiewrap plates	Dim. A [mm]	Dim. B [mm]	Number of teeth
1.	▶ 101.12PZ	101.12P	–	26	2
2.	▶ 102.12PZ	102.12P	10	36	3

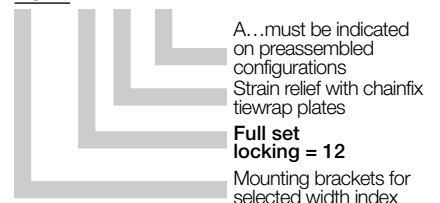


- One-piece mounting bracket
- Available with or without strain relief tiewrap plates
- Corrosion-resistant
- Inner and outer attachment possible



Part No. structure

101. 12 PZ A4



Single-part order

Mounting bracket **Moving end**

101. 1PZA4 (preass. + tiewrap plate)

Mounting bracket **Fixed end**

101. 2PZA4 (preass. + tiewrap plate)



Strain relief e.g. clamps, tiewrap plates, nuggets and plug-in clips are available from stock. The complete chainfix range with order options ▶ from page 10.1

E2 mini | Series 11.1·11.2 | Options and order key



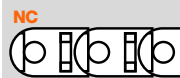
Standard

Part No.
Standard
e-chains®



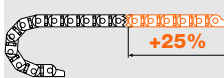
NC-Version -
(no camber)
without pretension

Part No.
NC-Material
e-chains®



Unsupported
lengths +25%
possible

Part No.
XXL-Material*
e-chains®



ATEX / ESD
classified e-chains®



Part No.
ESD-Material
e-chains®



11.080.R.0

11.080.R.0.NC

11.080.R.0.XXL

11.080.R.0.ESD



Delivery time
24h or today!*

Delivery time
3-5 work days

Delivery time
1-2 weeks

Delivery time
5 work days

Order example | Order key and color options



Order example for complete e-chain® (1,0 m),
color black, with mounting brackets:

e-chain® (1,0 m) Please indicate e-chain® length or number of links: 1,0 m or 33 links **11.1.040.0**

+ Mounting brackets 1 set (with integrated strain relief) **11.1.12PZ**

Order text: 1,0 m 11.2.040.0 + 11.1.12PZ



Order key
11.1.040.0



Black e-chains® from stock!

*Colored e-chains® delivered in 15 work days (Delivery in 5 work days at an express surcharge, available upon request!)

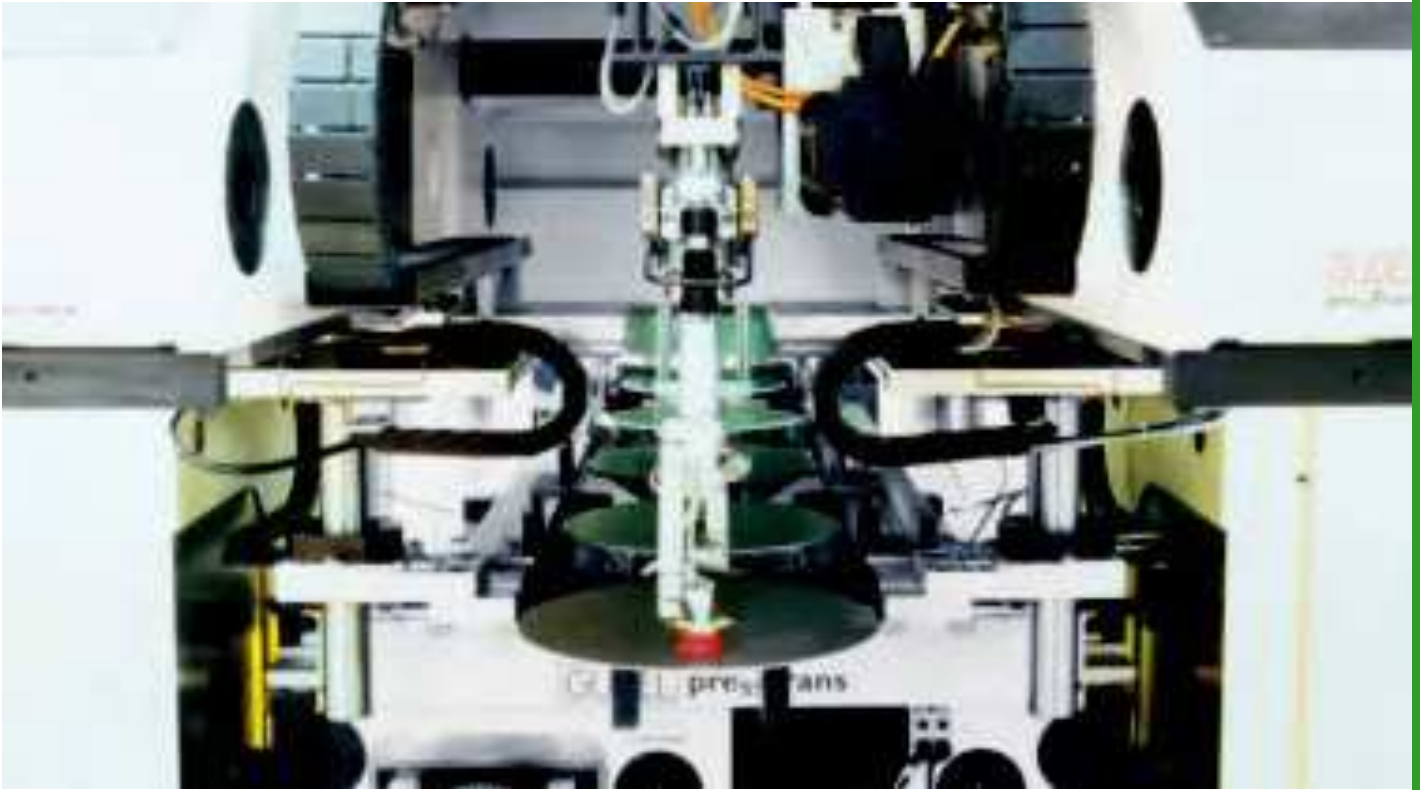
Color options for e-chains® and e-tubes

Color	Order index	Color	Order index
black	.0 from stock!	green*	.7
white*	.1	grey*	.3 for e-chains®
violet*	.5	dusty grey*	.3 for e-tubes
yellow*	.4	agate grey*	.11
orange*	.2	light grey*	.14
red*	.6	black grey*	.13
blue*	.8	yellow/black*	.9



Available from stock. Delivery in 24h or today!*

*Delivery time means time until shipping of goods



Short travels and high accelerations with Series E2 mini