

AS-INTERFACE F-ADAPTER FOR EMERG. STOP ACTUATOR
3SB3, SCREW CONNECTION, 2I/1O, OUTPUT FOR LED
CONTROL



Product designation	AS-Interface F-adapter for EMERGENCY-OFF control device SIRIUS 3SB3
General technical data:	
Protection class IP	IP20
Equipment marking	
<ul style="list-style-type: none"> • acc. to DIN EN 61346-2 • acc. to DIN EN 81346-2 	S S
Connections/ Terminals:	
Type of electrical connection	
<ul style="list-style-type: none"> • for auxiliary and control current circuit 	screw-type terminals
Safety related data:	
Safety Integrity Level (SIL) acc. to IEC 61508	SIL3
Ambient conditions:	
Ambient temperature	
<ul style="list-style-type: none"> • during operation 	-25 ... +70 °C
Inputs/ Outputs:	
Number of digital inputs	2

- safety-related

2

Number of digital outputs

1

Installation/ mounting/ dimensions:

Mounting type

front mounting

Height

61 mm

Width

30 mm

Depth

52 mm

Certificates/approvals

General Product Approval	Functional Safety/Safety of Machinery	Declaration of Conformity	Test Certificates	other
--------------------------	---------------------------------------	---------------------------	-------------------	-------



[Baumusterprüfbescheinigung](#)



[spezielle Prüfbescheinigung](#)
[n](#)



Further information

Information- and Downloadcenter (Catalogs, Brochures,...)

<http://www.siemens.com/industrial-controls/catalogs>

Industry Mall (Online ordering system)

<https://mall.industry.siemens.com/mall/en/en/Catalog/product?mlfb=3SF54021AB03>

Cax online generator

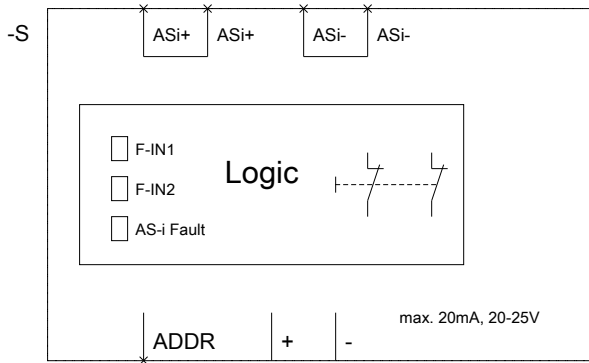
<http://support.automation.siemens.com/WW/CAXorder/default.aspx?lang=en&mlfb=3SF54021AB03>

Service&Support (Manuals, Certificates, Characteristics, FAQs,...)

<https://support.industry.siemens.com/cs/ww/en/ps/3SF54021AB03>

Image database (product images, 2D dimension drawings, 3D models, device circuit diagrams, EPLAN macros, ...)

http://www.automation.siemens.com/bilddb/cax_de.aspx?mlfb=3SF54021AB03&lang=en



last modified:

07.12.2015