

- o Flat Cable Connectors SEK
- o *har-mik®*
- o D-Sub
- o InduCom

Applications



## Product details

### 09 18 520 5903 IDC male connector

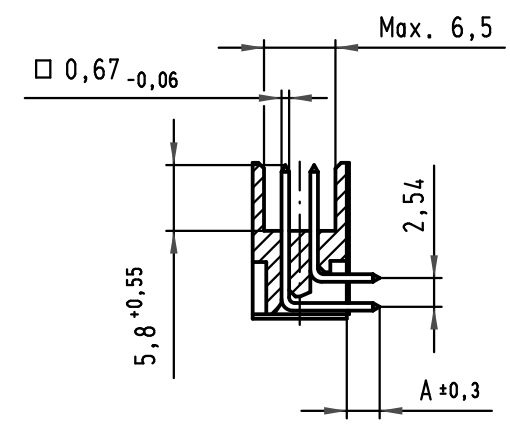
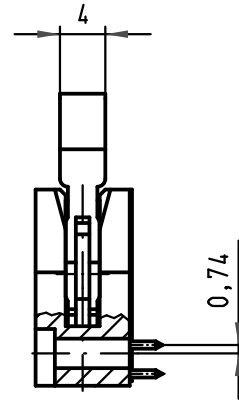
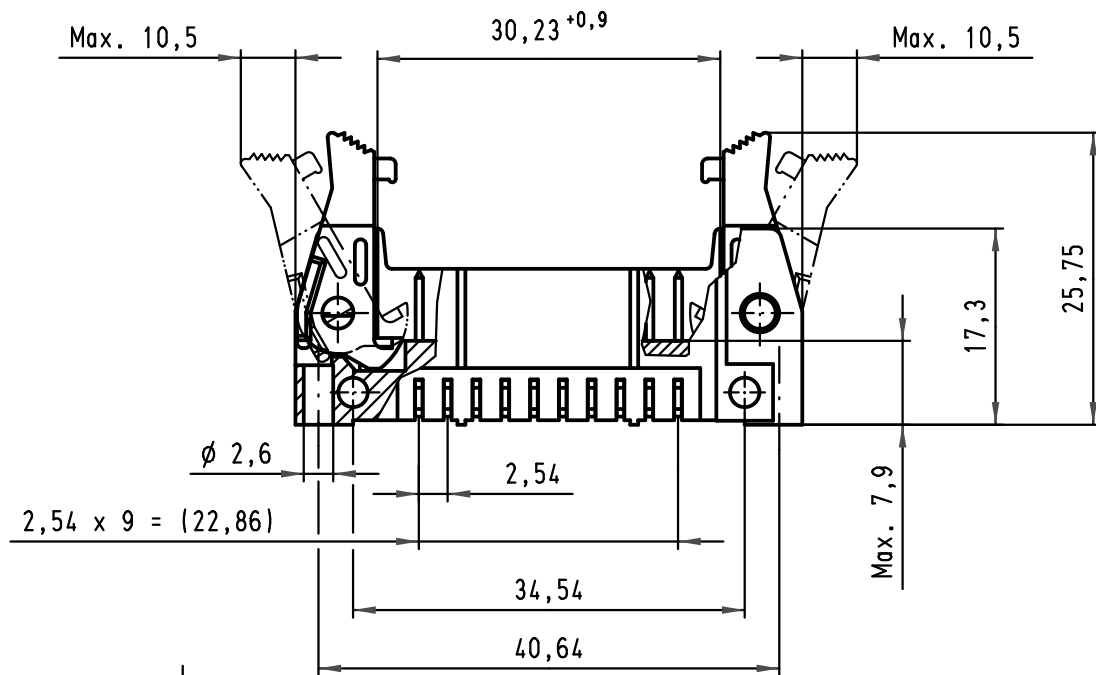
Connector size	20 contacts
Termination	Angled solder pin
Profile	Standard connector
Moulding	Standard Material
Termination length	2.9 mm
Lever	Long levers
P.C.B. retention clip	Without retention clip
Performance level	AU-0.76•m [30•Inch]
RoHS compliant	Yes

#### Available Downloads

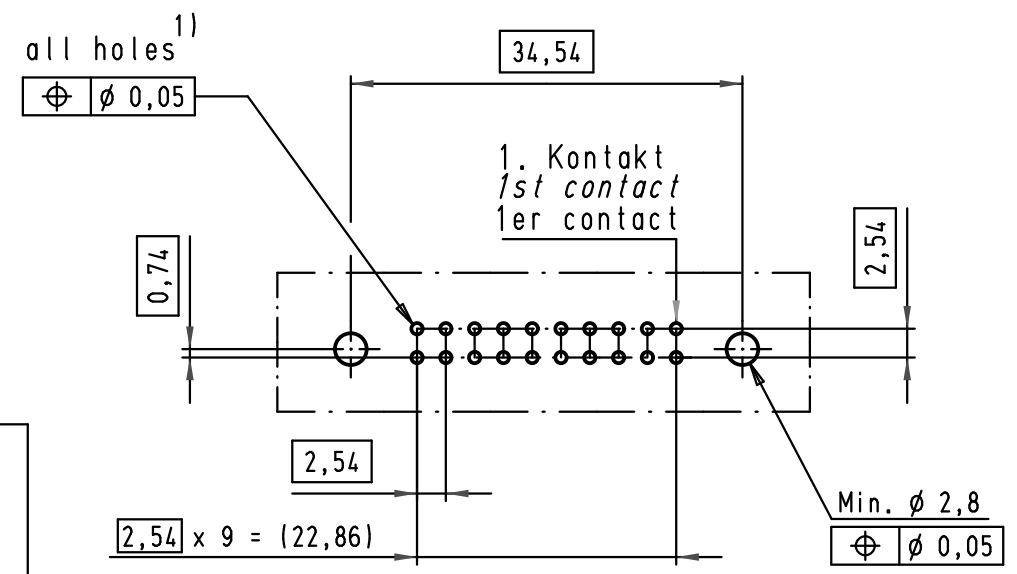
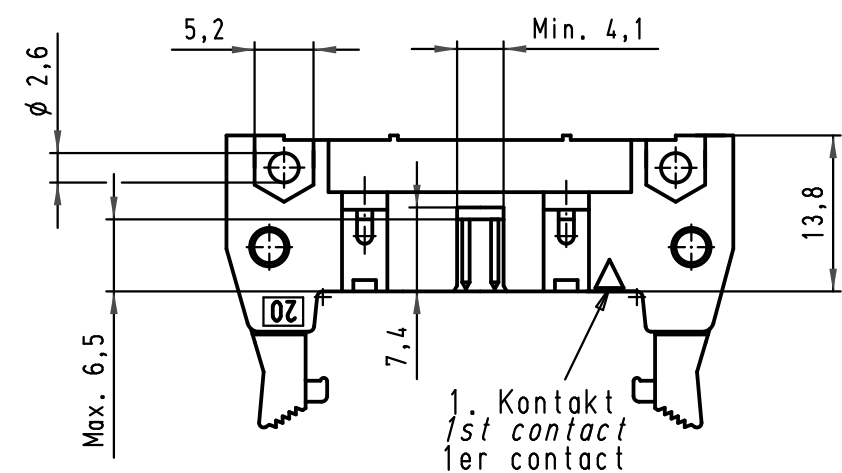
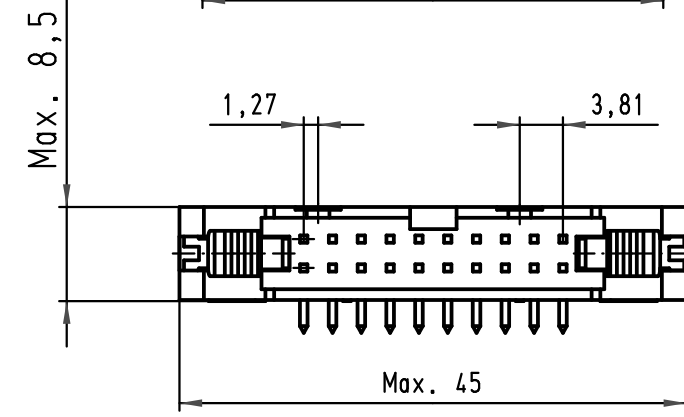
Title	Format	
Data sheet	PDF	download
CAD data 2D	DXF	download
CAD data 3D	IGES	download

**Inquiry**

Alle Rechte vorbehalten/ All rights reserved



Printed Board Layout, component side



1) Einlötlstifte passend für Lochungen  
 $\phi 1 \pm 0,1$  nach IEC 60326-3  
 Solder pins for PCB connections  
 $\phi 1 \pm 0,1$  as per IEC 60326-3  
 A souder pour des trous de  $\phi 1 \pm 0,1$   
 selon IEC 60326-3

09185207901 001	3	4,5	black insulator
09185206901 001	2	4,5	black insulator
09185205901 001	0,76 $\mu\text{m Au}$	4,5	black insulator
09185207903 001	3	2,9	black insulator
09185206903 001	2	2,9	black insulator
09185205903 001	0,76 $\mu\text{m Au}$	2,9	black insulator
09185207901	3	4,5	standard insulator color
09185206901	2	4,5	standard insulator color
09185205901	0,76 $\mu\text{m Au}$	4,5	standard insulator color
09185207903	3	2,9	standard insulator color
09185206903	2	2,9	standard insulator color
09185205903	0,76 $\mu\text{m Au}$	2,9	standard insulator color
Part number	Performance level	A	Index designation

	All Dimensions in mm Original Size DIN A 3			Techn. Character.			Nicht tolerierte Maße! Free size tolerances		
	33924	23/01/07	PK	Detail.	01/12/99	TH	1,5:1	SEK 18 Male Connector Standard 20 poles Angled pins Long locking levers	
29753	11/03/02	JB	Insp.						
29739	03/12/01	JB	Stand.						
27931	15/06/00	JB	HARTING EUROL				TB 09 18 520 x90x		
26554	01/12/99	JB	F-95972 Paris						
Mod.	Dat.	Name				Sub.			