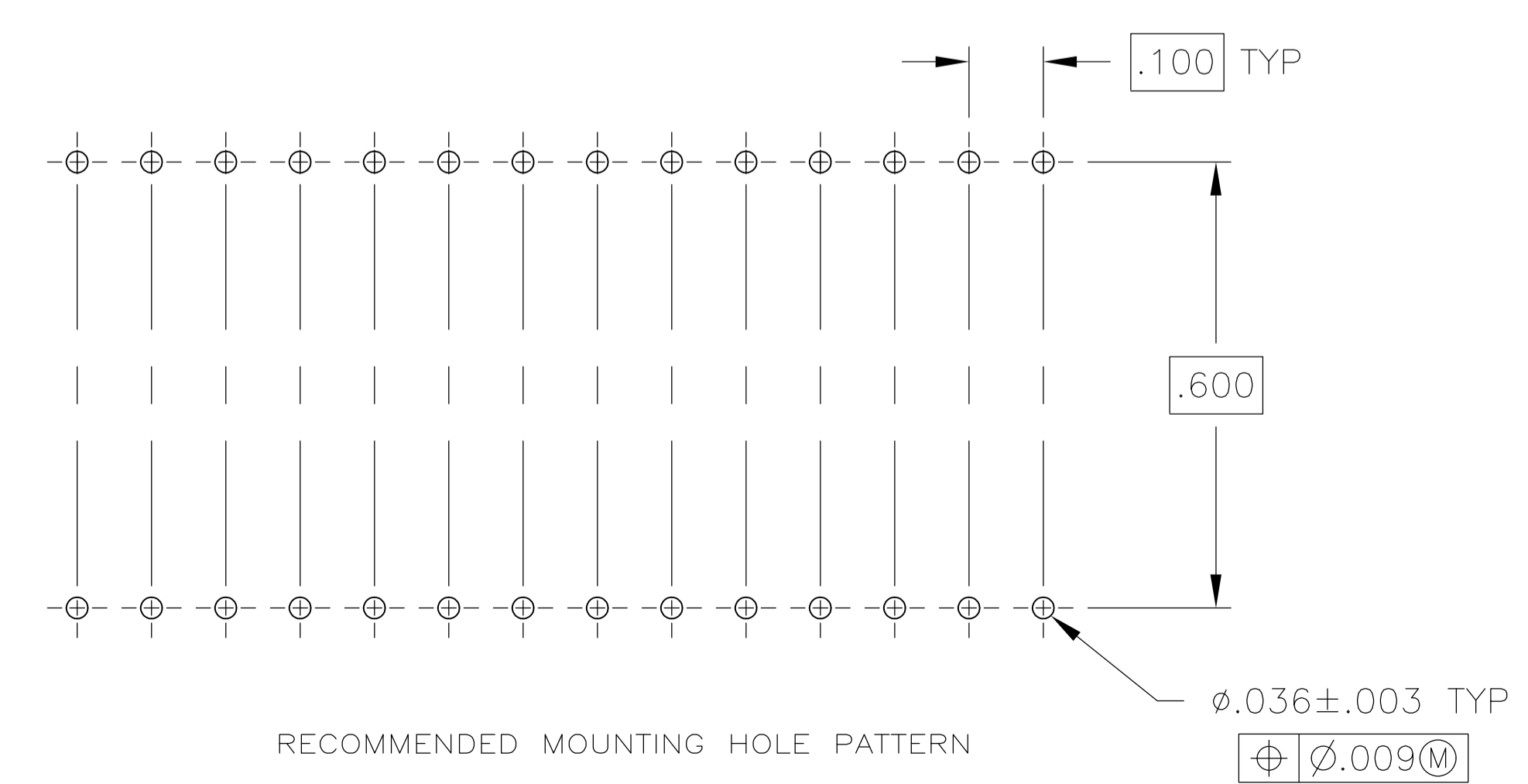
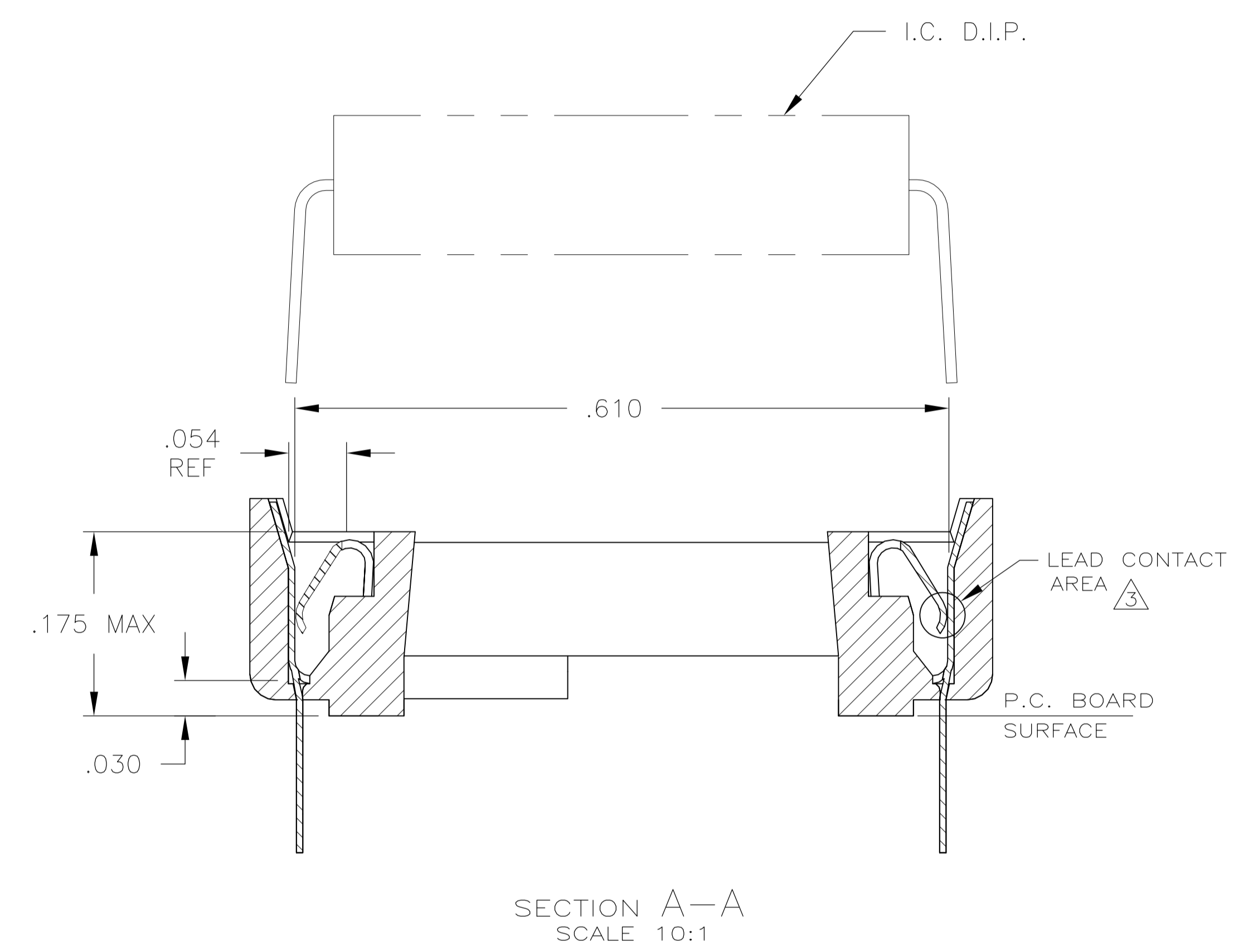
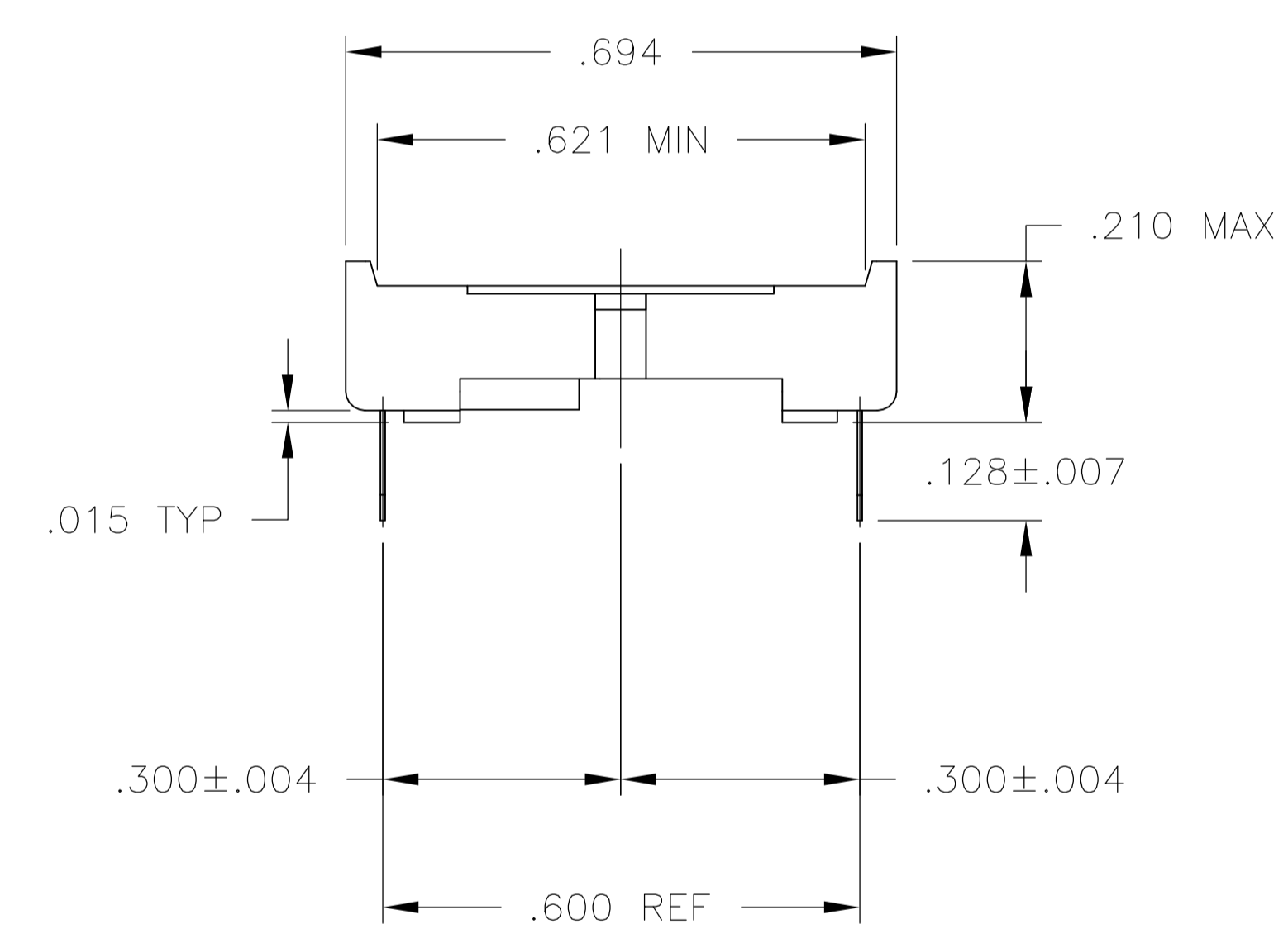
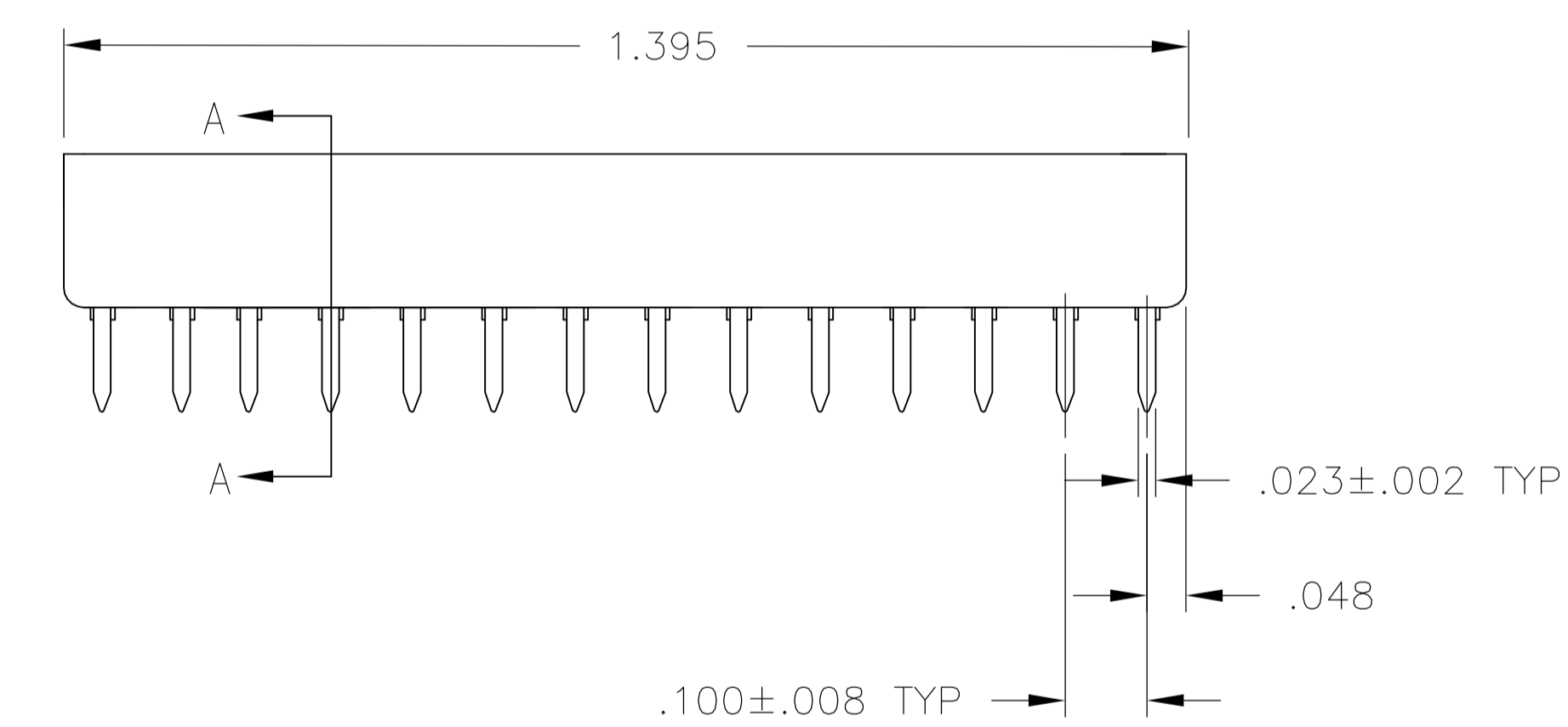
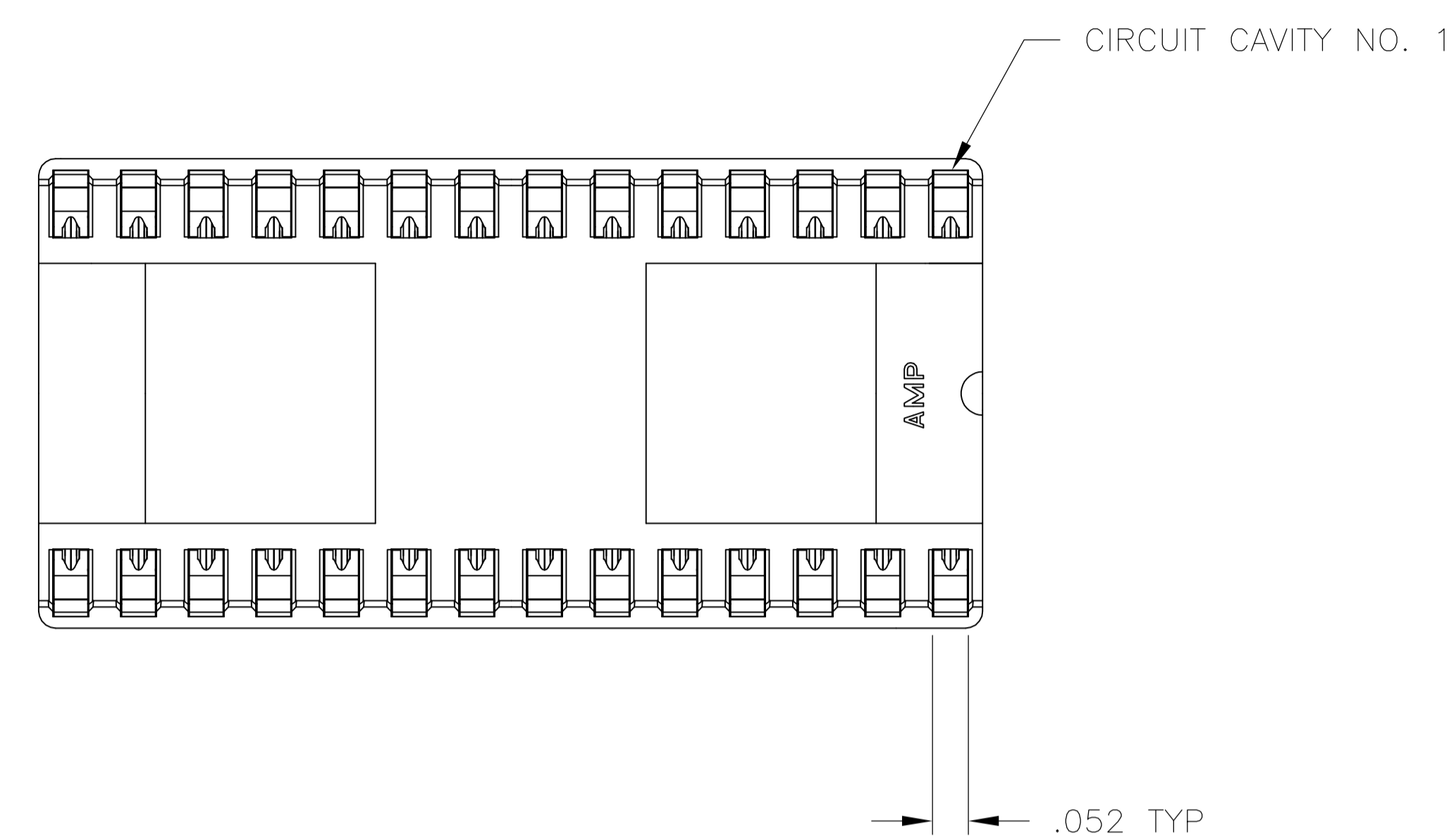


LOC		DIST		REVISIONS			
FT		REV	DESCRIPTION	DATE	BY	APP'D	
	64	G	REV PER 063C-0162-99	17NOV00	RB	HW	
		G2	REVISED PER ECR-13-013739	28AUG2013	W.W.C.W		

1. RECEPTACLE ACCEPTS A .008-.014 THICK I.C. LEAD.
2. TUBE LOADED.
3. TWO .000015 MIN THK. GOLD STRIPES IN CONTACT AREA WITH TIN-LEAD (93/7) ON SOLDER LEGS, BALANCE OF CONTACT NICKEL PLATED.
4. OBSOLETE PARTS: OBSOLETE CIS STREAMLINING PER D.RENAUD/D.SINISI



FINISH	CONTACT FINISH	CONTACT MAT'L	HOUSING MATERIAL	PART NO.
OBsolete	TINNED	PHOS. BRZ	BROWN GLASS-FILLED PCT	2-382467-4
		PHOS. BRZ	BLACK THERMO PLASTIC	2-382467-3
OBsolete	TINNED	BE.CU.	BROWN GLASS-FILLED PCT	2-382467-1

THIS DRAWING IS A CONTROLLED DOCUMENT.		DIN R BROWN 04JAN01		Tyco Electronics Corporation	
DIMENSIONS: INCHES		CHK H WYNKOOP 17NOV00		Harrisburg, PA 17105	
TOLERANCES UNLESS OTHERWISE SPECIFIED:		APP'D H WYNKOOP 17NOV00		NAME	
0. PLC	± .005	PRODUCT SPEC		SOCKET ASSY, DIP, HT, 28 POS, DIPLOMATE™ DL	
1. PLC	± .005	APPLICATION SPEC		-	
2. PLC	± .005	SIZE		A1	
3. PLC	± .005	CAGE CODE		00779	
4. PLC	± .005	DRAWING NO		C=382467	
ANGLES	± .005	WEIGHT		-	
MATERIAL SEE TABLE		FINISH SEE TABLE		CUSTOMER DRAWING	
		SCALE		5:1	
		SHEET		1 of 1	
		REV		G2	