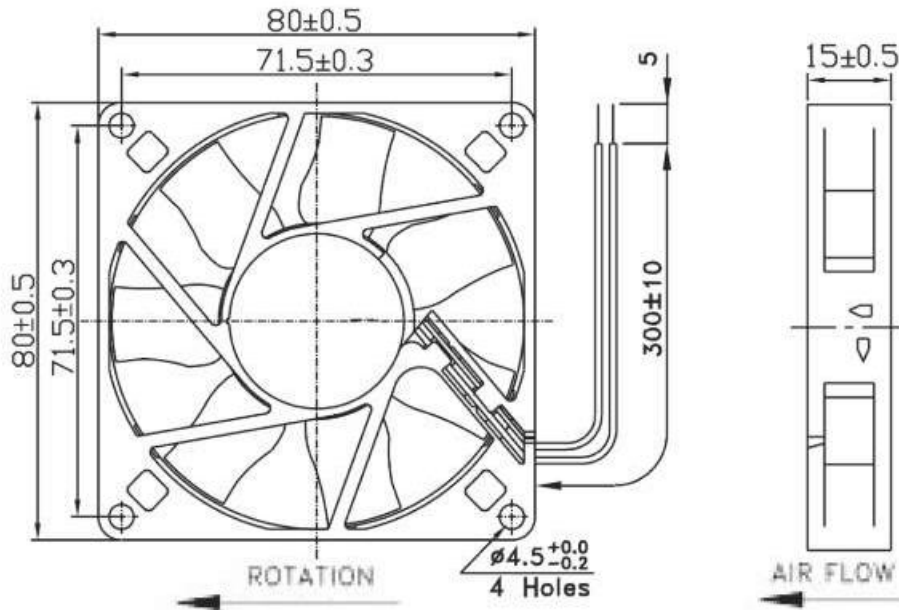


Datasheet

DC Axial Fan, 80 x 80 x 15mm, 51m/h, 4.6W, 24 V dc (OD8015 Series)



Frame & Impeller	PBT, UL94V-0 plastic
Connection	2x Lead wires 24AWG
Motor	Brushless DC, auto restart impedance and polarity protected
Bearing System	Ball bearing or sleeve
Insulation Resistance	10MΩ between leadwire and frame (500V dc)
Dielectric Strength	1 minute at 500V ac, max leakage <500 MicroAmp
Storage Temperature	-40°C ~ +80°C



Available Options:

- Tachometer
- Alarm
- 5V

Life Expectancy (L10)

- Ball - 60,000 hrs (45C)
- Sleeve - 30,000 hrs (45C)

Operating Temperature

- Ball: $-20C \sim +80C$
- Sleeve: $-10C \sim +50C$
- Weight: ~ 0.14 lbs
- m1

