

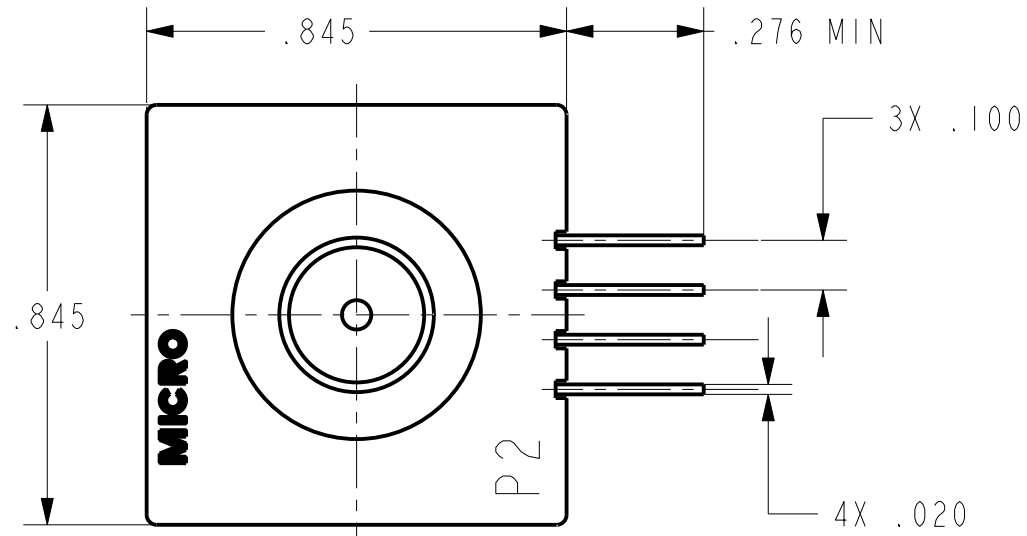
HONEYWELL  
PART NUMBER  
174PC28HD2

REV	DOCUMENT	CHANGED BY	CHECK
A	0032143	DDN 25JUL07	CMH

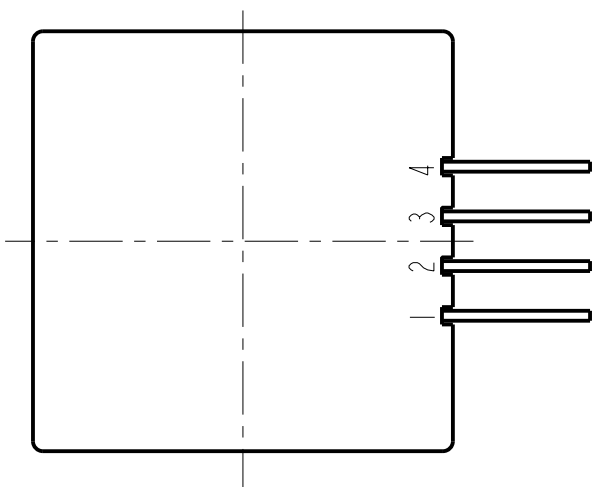
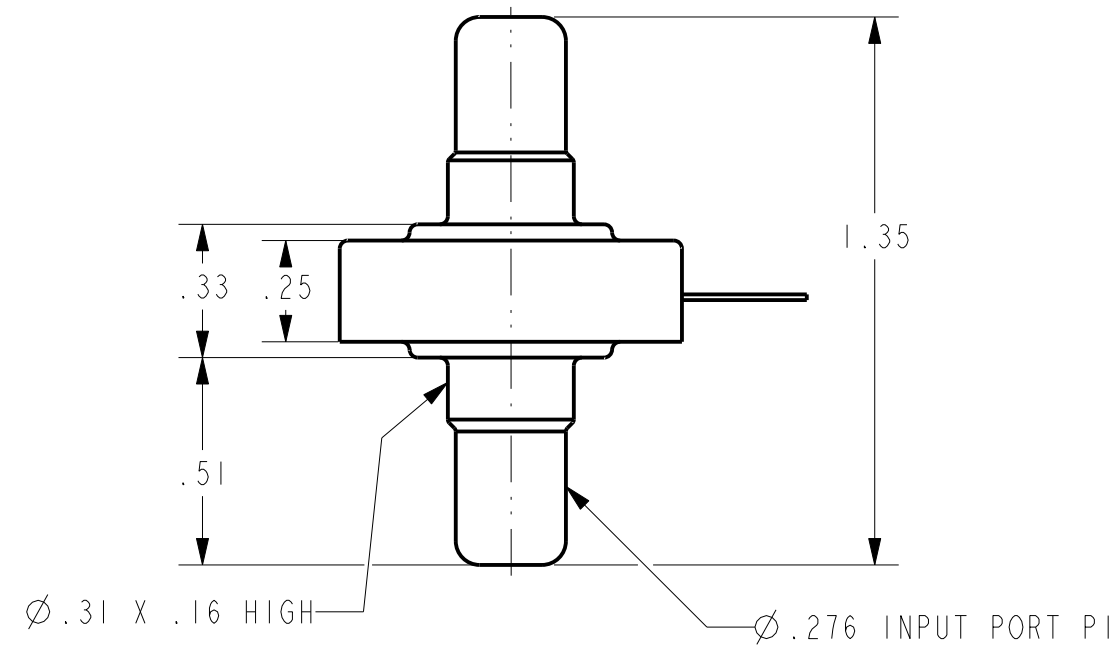
**GENERAL OPERATING CHARACTERISTICS**

(ELECTRICAL PERFORMANCE AT 10.0±0.01 VDC EXCITATION, 25°C)

PARAMETERS	PRESSURE RANGES (H <sub>2</sub> O)	MIN	TYP	MAX	UNITS
NULL OFFSET		-40	0	40	MV
NULL SHIFT $\frac{\Delta}{\Delta}$ 0° ← 25° C → 50°			+3.0		
P2 > P1 F.S.O. $\frac{\Delta}{\Delta}$ (FULL SCALE OUTPUT)		56	85	114	
P2 > P1 SENSITIVITY PER IN. H <sub>2</sub> O			2.5		%F.S.O.
F.S.O. SHIFT $\frac{\Delta}{\Delta}$ 0° ← 25° C → 50°			±6.5		
AT 10 VDC AT 2mA			±5.5		
P2 > P1 LINEARITY (BSFL)			±2.0		
REPEATABILITY & HYSTERESIS			±0.25		
STABILITY OVER 1 YEAR			±1.5		
EXCITATION	VOLTAGE		10	12	VDC
	CURRENT		2.0	2.4	mA
INPUT RESISTANCE (P2 > P1) (P1 > P2)			4.8K		OHMS
OVERPRESSURE				140	IN. H <sub>2</sub> O
TEMPERATURE STORAGE		-55° TO +125°C (-67° TO +257°F)			
OPERATE		-40° TO +85°C (-40° TO +185°F)			
COMPENSATED		NONE			

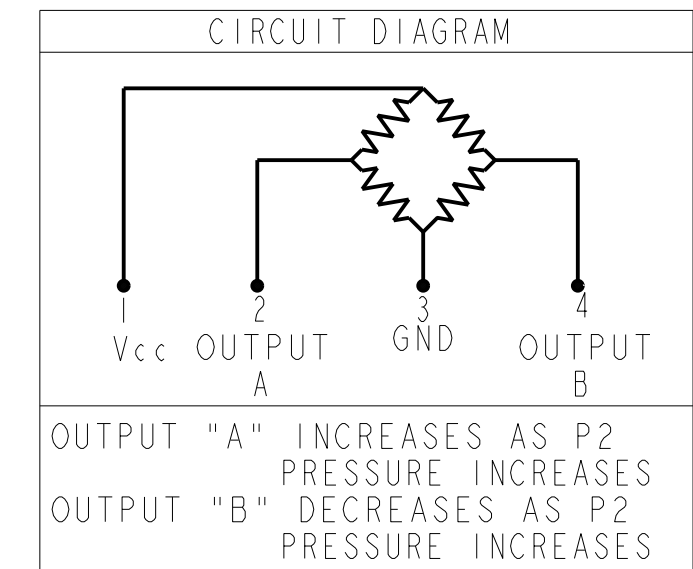


**D TYPE**



**NOTES**

- 1 F.S.O. IS THE ALGEBRAIC DIFFERENCE BETWEEN END POINTS (OUTPUT AND MINIMUM AND MAXIMUM PRESSURE)
- 2 TEMPERATURE ERROR IS CALCULATED WITH RESPECT TO 25°C AND EXPRESSES THE DEVIATION THAT COULD OCCUR AS TEMPERATURE IS RAISED OR LOWERED TO LIMITS INDICATED
- 3 - INPUT MEDIA: P1 - DRY GASES ONLY: CONNECTION SIDE OF SENSOR  
P2 - LIMITED ONLY TO THOSE MEDIA THAT WILL NOT ATTACK POLYESTER, SILICON OR SILICONE BASED ADHESIVE
- 4 - TERMINALS ARE PLATED FOR SOLDERING
- 5 - LIMIT SOLDERING TO 315°C FOR 10 SECONDS MAX



DESIGN UNITS: INCH TOLERANCES UNLESS NOTED: NO PLACES .X ± .030 ONE PLACE .X ± .015 TWO PLACE .XX ± .005 THREE PLACE .XXX ± FOUR PLACE .XXXX ± ANGLES X ±	DRAWN SK 11JUL07 CHECK CMH 11JUL07	<b>Honeywell</b>			
THIRD ANGLE PROJECTION	THIS DRAWING COVERS A PROPRIETARY ITEM AND IS THE PROPERTY OF HONEYWELL. THIS DRAWING IS NOT TO BE COPIED OR USED WITHOUT THE PERMISSION OF HONEYWELL.			TITLE <b>BRIDGE PRESSURE SENSOR</b>	
	INTERPRET PER ASME Y14.5M-1994 OTHER HONEYWELL ENGINEERING STANDARDS MAY APPLY	SIZE <b>C</b>	TYPE <b>I</b>	DRAWING NAME <b>174PC28HD2</b>	REV <b>A</b>
	Pro/ENGINEER	2D	SCALE NTS	SHEET 1 OF 1	