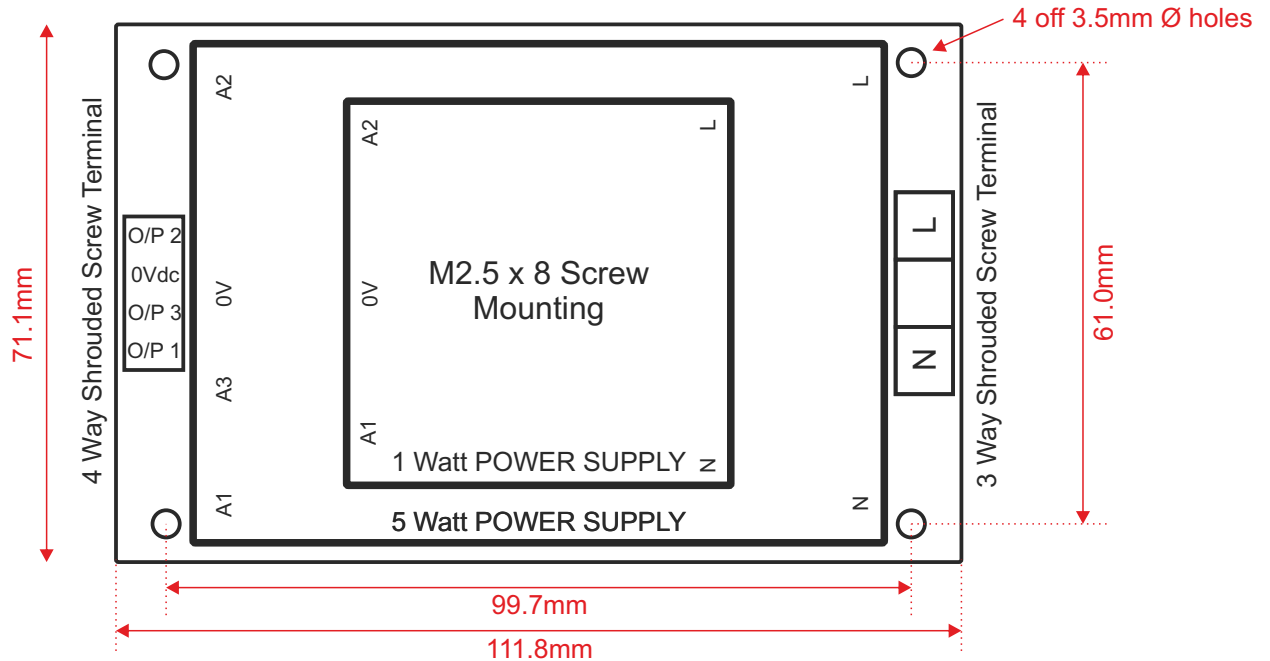


COMPUTRONIC CONTROLS

7221 Screw Terminal Card

Dimensions & Connection Information



Models compatible with the 7221 Screw Terminal Card

5W Models

Single Output Models:			
Model C507	+ 3.3V	1.0A	115V
Model 8298	+ 5V	1.0A	115V
Model C506	+ 3.3V	1.0A	230V
Model 7432	+ 5V	1.0A	230V
Model 7511	+ 5V	1.0A	230V
Model 7214	+ 12V	0.5A	230V
Model 7216	+ 12V	0.5A	115V
Model 7215	+ 15V	0.4A	230V
Double Output Models:			
Model 7431	+/- 12V	0.25A	230V
Model 8299	+/- 12V	0.25A	115V
Model 7694	+/- 15V	0.20A	230V
Model 8300	+/- 15V	0.20A	115V
Triple Output Models:			
Model 7218	+/- 12V +5V		230V
Model 7219	+/- 15V +5V		230V

1W Models

Single Output Models:			
Model B585	+ 5V	0.20A	115V
Model B584	+ 5V	0.20A	230V
Model B587	+12V	0.10A	115V
Model B586	+12V	0.10A	230V
Double Output Models:			
Model B684	+/- 5V	0.1A	230V
Model B686	+/- 12V	0.05A	230V

Dimensions & Connection Information of suitable 1W and 5W power supplies

