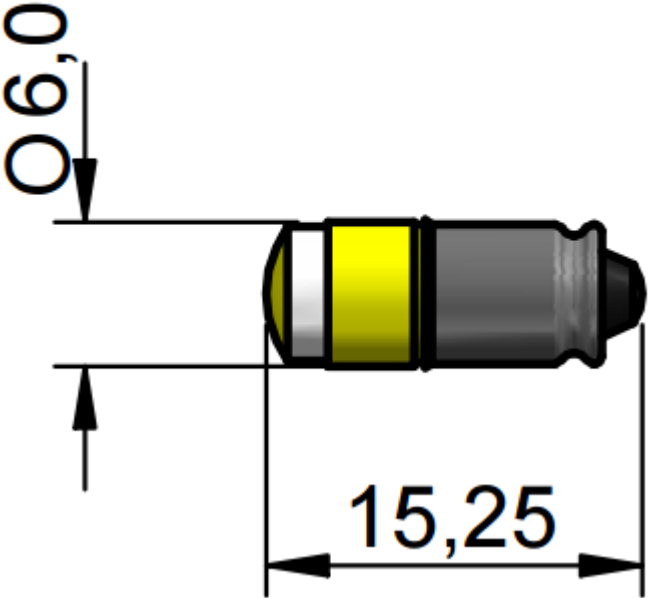


Datasheet

LED Indicator Lamp

RS ITEM NO 206-081



LED/Multiled	Multiled	Optimum voltage (V)	12vac/dc	Intensity	45mcd
Mounting Size	TI 3/4	Rectifier	Half Wave		
Mounting Finish		AC current	15mA		
Protection	Protection Diode	DC current	20mA		
Mount Holder	Midget Groove	Voltage Tolerance (%)	10%		
Chip Qty	6	Optimum temperature (°C)	-30°C...+65°C		
Indicator colour	Yellow	Storage temperature (°C)	-30°C...+65°C		
Wavelength (nm)	585	Contact Tab	Midget Groove		



Dimension in mm (typical), not to scale.
We reserve the right to make changes without further notice to this product to improve reliability, function or design.