

## Hi-Spot ES50 Superia

ES50 SU 230V 50W 25° GU10 SV1

0022902



### Range features

- Unique long life filament
- Xenon gas filling for increased light output
- Unique, patented, spiral faceted aluminised reflector
- For accent or decorative lighting in retail, commercial and domestic applications
- Ceramic base, brass contacts for a robust fitting
- For use in mains voltage GU10/GZ10 downlights, spotlights and luminaires
- Transformer free halogen
- 100% dimmable
- Integral Safety fuse
- Average rated life 3000 hrs



### PRODUCT OVERVIEW

Ordering number	0022902
Technology	Halogen
Average life (Rated) (h)	3000
Energy class	D
Lamp shape	Reflector
Lamp finish	Aluminium
Dimmable	Yes
Cap/Base	GU10
Type	PAR16 (GU10)
EAN code	5410288229027
CRI (Ra)	100
Beam angle(°)	25
Colour temperature (K)	2650
Useful luminous flux (Rated) (lm)	300
Watt (Nominal) (W)	50
Voltage (V)	230

## Hi-Spot ES50 Superia

ES50 SU 230V 50W 25° GU10 SV1

0022902

### DATA TABLE

#### General data

<b>Ordering number</b>	0022902
<b>Technology</b>	Halogen
<b>Average life (Nominal) (h)</b>	3000
<b>Average life (Rated) (h)</b>	3000
<b>Energy saving lamp</b>	No
<b>Energy class</b>	D
<b>Lamp shape</b>	Reflector
<b>Lamp finish</b>	Aluminium
<b>Dimmable</b>	Yes
<b>Cap/Base</b>	GU10
<b>Type</b>	PAR16 (GU10)
<b>EAN code</b>	5410288229027
<b>Long description</b>	Unique long life filament. Xenon gas filling for increased light output. Unique, patented, spiral faceted aluminised reflector. For accent or decorative lighting in retail, commercial and domestic applications. Ceramic base, brass contacts for a robust fitting. For use in mains voltage GU10/GZ10 downlights, spotlights and luminaires. Transformer free halogen. 100% dimmable. Integral Safety fuse. Average rated life 3000 hrs
<b>Product name</b>	ES50 SU 230V 50W 25° GU10 SV1
<b>Lamp mercury content (mg)</b>	0
<b>Starting time (max) (s)</b>	0
<b>Warm-up time to 60% of full light (max) (s)</b>	Instant Full Light
<b>Control gear required</b>	No
<b>Fixture rating</b>	Open
<b>IEC Reference</b>	IEC 60357
<b>IEC Reference 2</b>	IEC 60432-3
<b>IEC Reference 3</b>	IEC 60630
<b>Intended purpose</b>	General lighting
<b>No. of switching cycles before premature failure (min)</b>	> 12000
<b>Special purpose lamp</b>	No
<b>Transformer required</b>	no
<b>Sales pack quantity</b>	10

## Hi-Spot ES50 Superia

ES50 SU 230V 50W 25° GU10 SV1

**0022902**

### Optical data

<b>CRI (Ra)</b>	100
<b>Suitable for accent lighting</b>	Yes
<b>Beam angle (Rated) (°)</b>	25
<b>Beam angle(°)</b>	25
<b>Colour temperature (K)</b>	2650
<b>Useful luminous flux (Rated) (lm)</b>	300
<b>Luminous flux (Nominal) (lm)</b>	300
<b>Lumen maintenance at end of nominal life (%)</b>	80
<b>Peak intensity (cd)</b>	1150

### Electrical data

<b>kWh per 1000 hours burning time</b>	50
<b>Watt (Rated) (W)</b>	50
<b>Watt (Nominal) (W)</b>	50
<b>Voltage (V)</b>	230
<b>Lamp power factor</b>	1

### Physical data

<b>Weight (kg)</b>	0.05
<b>Lamp Length (mm) - C/L</b>	55
<b>Max. Lamp Diameter (mm) - D</b>	50
<b>Lamp dimension equal to filament lamp equivalent</b>	Yes
<b>Designed for optimum use in non standard conditions</b>	No
<b>Single packaging type</b>	Box/Sleeve
<b>Single package dimensions (L x W x H) (cm)</b>	6.20 x 4.80 x 4.80
<b>Outer package dimensions (L x W x H) (cm)</b>	50.00 x 27.00 x 14.00

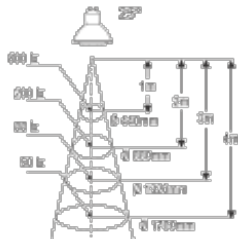
## Hi-Spot ES50 Superia

ES50 SU 230V 50W 25° GU10 SV1

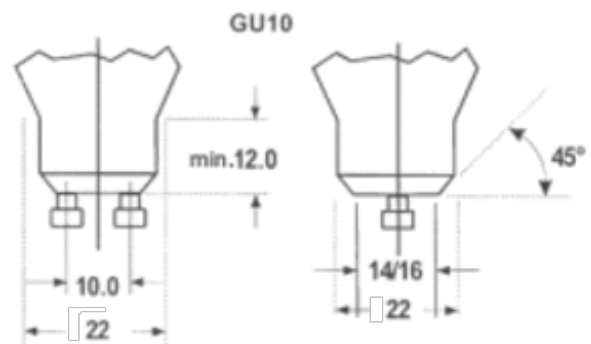
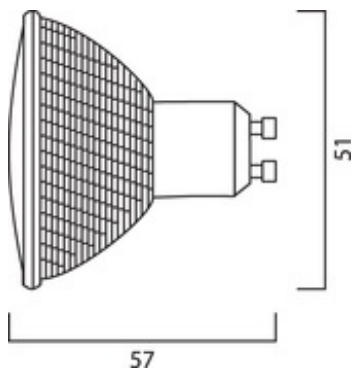
0022902

### PHOTOMETRY

#### Hi-Spot ES50 - 35W/25°



### TECHNICAL DRAWINGS



### ENERGY LABEL

