

61729-1010BLF - USB : Type B, Receptacle, Through Hole, 30u GXT Contact, 4 Pins, Full Back Shield with Bright Tin Plating, 1.57 mm PCB, Black HSG, Tube packing



www.fci.com



Specifications

General

Hold Down Style	Standard
Number of contacts	4
Orientation	Right Angle
Pin Orientation	Standard
Product Type	Receptacle
Shell Options	Back Shield
Style	B Type
Sensor Contact Options	without Sensor Contact
Series Number	61729
Single or Dual Stack	Single
Dimensional	
Thickness (Board - recommended)	1.57 mm
Thickness (Panel - max)	2.67 mm
Mounting	
Mounting flange / Hole options	None
Mounting style	Through Hole
Physical	
Color (Housing)	Black
Material (Housing)	Glass - Fiber Filled Thermoplastic, UL 94V-0
Plating (Contact area)	30u" GXT
Plating (Shell)	Pure Tin / Nickel Under Plating
Plating (Tail)	100u" Pure Tin
Approvals / Certifications	
USB 2.0 Qualified	Yes
Other Features	
Most Popular Configuration	Yes
Packaging (Options)	Tubes

PRODUCT NO.

61729

PRODUCT NUMBER CODE

61729- X 0 X X P S LF

BASE PRODUCT NUMBER

HOUSING COLOR OPTION

0 - WHITE
1 - BLACK

SHIELD OPTION

1 - FULL BACK
2 - PARTIAL BACK
S - FULL BACK (SPECIAL MATERIAL FOR 12,000 DURABILITY CYCLES)
P - PARTIAL BACK (SPECIAL MATERIAL FOR 12,000 DURABILITY CYCLES)

TERMINAL PLATING OPTION

0 - 50u" NI UNDERPLATED
30U" GXT CONTACT AREA
100u" PURE TIN TAIL AREA
1 - 50u" NI UNDERPLATED
30U" GOLD CONTACT AREA
100u" PURE TIN TAIL AREA

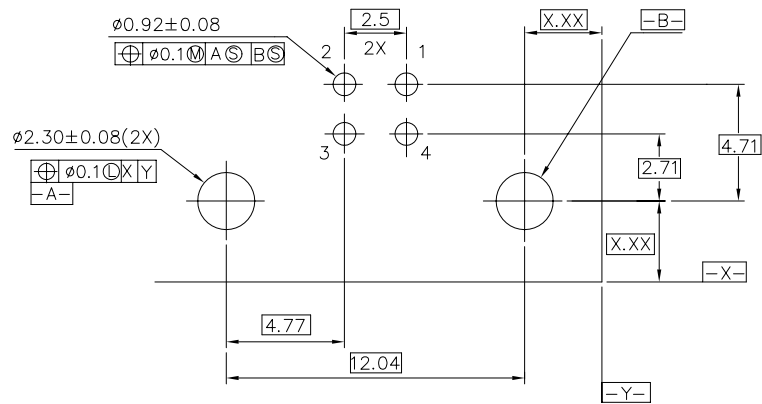
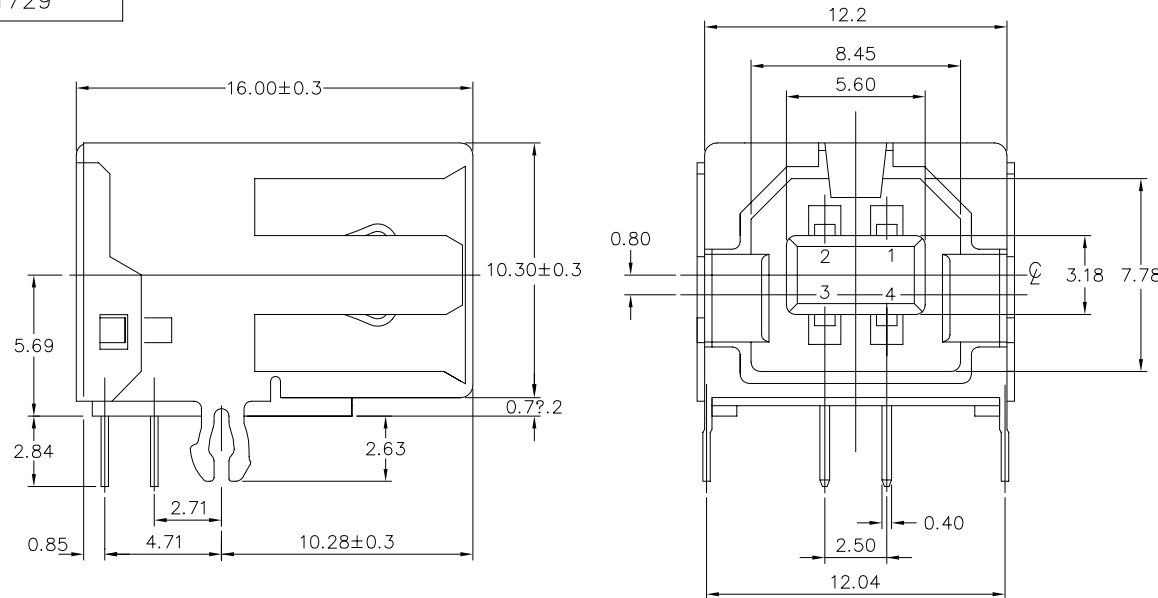
PACKAGING OPTION

B-TUBES
R-TAPE & REEL

DATE CODE OPTION

ONLY FOR PANASONIC

LEAD FREE OPTION



P.C. BOARD LAYOUT

mat'l. code				tolerances unless otherwise specified		CUSTOMER COPY		FCJ			
ltr	ecn no	dr	date	linear	.0 ± 0.30	projection	title	www.fciconnect.com			
S	N05-0242	PH	08/22/05		.00 ± 0.20			MM/INCH	product family	USB	
T	N06-0103	HB	04/15/06		.000± 0.10						size
U	N08-0238	R.B	2008/11/03	angles	± 2°	scale	A3	61729			
V	N08-0264	R.B	2008/12/08	dr	SHIRLEY HSU				03/03/97	code	
				enr	R Y LIU				03/03/97		sheet
				chr	R Y LIU				03/03/97		
				appd	JENN TSAO	03/03/97					
sheet index	revision sheet										

PDM: Rev:V

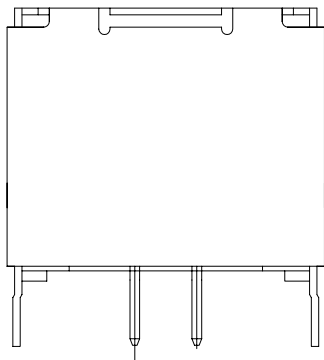
STATUS: Released

Printed: Jul 28, 2010

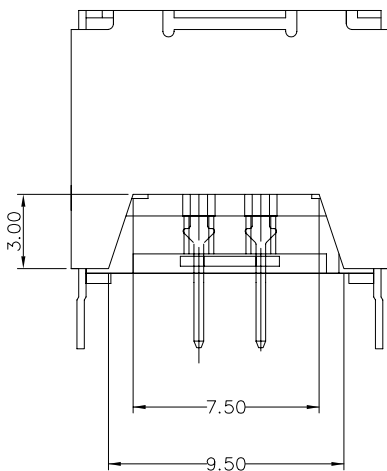
6

PRODUCT NO.

61729




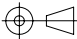
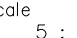
TYPE "1" FULL BACK



TYPE "2" PARTIAL BACK

NOTES:

- MATERIAL:
SHIELD & CONTACTS: COPPER ALLOY
HOUSING: UL 94V-0 THERMOPLASTIC. COLOR: SEE PRODUCT NUMBER CODE.
- PLATING: SEE PRODUCT NUMBER CODE.
SHIELD: BRIGHT TIN
NICKEL UNDERPLATE.
- DATUMS & BASIC DIMENSIONS TO BE DETERMINED BY CUSTOMER
- RECOMMENDED BOARD THICKNESS IS 1.57 mm (.062)
- PACKING STANDARD GS-14-920 WILL BE APPLIED FOR LEAD FREE P/N'S
- FOR LEAD FREE P/N, THE PRODUCT MEET EUROPEAN UNION DIRECTIVES AND OTHER COUNTRY REGULATION AS DESCRIBED IN GS-22-008
- FOR LEAD FREE P/N'S, THE HOUSING WILL WITHSTAND EXPOSURE TO 260°C PEAK TEMPERATURE FOR 40 SECONDS IN A CONVECTION, INFRO-RED OR VAPOR PHASE REFLOW OVEN.
- THE PART CAN BE USED FOR PIP PROCESS.

mat'l. code				tolerances unless otherwise specified		CUSTOMER COPY		 www.fciconnect.com		
ltr	ecn no	dr	date	linear	.0 ± 0.20	projection	title			
v					.00 ± 0.10			USB RECEPTACLE B TYPE		
					.000 ± 0.05			product family USB		
				angles	± 2°	MM/INCH	size		code	
				dr	SHIRLEY HSU 03/03/97	 5 : 1	product family USB		code	
				enr	R Y LIU 03/03/97		size		sheet	
				chr	R Y LIU 03/03/97		61729		2 of 2	
				appd	JENN TSAO 03/03/97		A3			
sheet	revision									
index	sheet									

All rights are reserved. Reproduction or use in third parties is not permitted without written authority from the proprietor.

Tous droits sont réservés. Toute réimpression ou utilisation sans autorisation écrite du propriétaire.

All rights are reserved. Reproduction or use in third parties is not permitted without written authority from the proprietor.

Tous droits sont réservés. Toute réimpression ou utilisation sans autorisation écrite du propriétaire.