

**Ordering number C12150\_TUIJA-3-M2**

Family	Tuija	FWHM	(simulated) 35
Type	Lens array	Efficiency	(simulated) 0 %
LED	LUXEON A	cd/lm	-
Color	Clear	Gerber File	Available
Diameter	50 mm		
Height	14.5 mm		
Style	Round	MR16 Applications	
Optic Material	PMMA		
Holder Material	-		
Fastening	Pin, glue		
Status	Ready		

**Ordering number C11192\_TUIJA-3-SS**

Family	Tuija	FWHM	12 degrees
Type	Lens array	Efficiency	90 %
LED	LUXEON A	cd/lm	-
Color	Clear	Gerber File	Available
Diameter	50 mm		
Height	14.5 mm		
Style	Round	MR16 Applications	
Optic Material	PMMA		
Holder Material	-		
Fastening	Pin, glue		
Status	Ready		

**Ordering number C11193\_TUIJA-3-M**

Family	Tuija	FWHM	17 degrees
Type	Lens array	Efficiency	82 %
LED	LUXEON A	cd/lm	-
Color	Clear	Gerber File	Available
Diameter	50 mm		
Height	14.5 mm		
Style	Round	MR16 Applications	
Optic Material	PMMA		
Holder Material	-		
Fastening	Pin, glue		
Status	Ready		

**Ordering number C11191\_TUIJA-3-W**

Family	Tuija	FWHM	56 degrees
Type	Lens array	Efficiency	86 %
LED	LUXEON A	cd/lm	-
Color	Clear	Gerber File	Available
Diameter	50 mm		
Height	14.5 mm		
Style	Round	MR16 Applications	
Optic Material	PMMA		
Holder Material	-		
Fastening	Pin, glue		
Status	Ready		



**PRODUCT DATASHEET**  
**Tuija series**  
last update 18/4/2012

PHILIPS  
LUMILEDS

**NOTE: The typical divergence will be changed by different color, chip size and chip position tolerance. The typical total divergence is the full angle measured where the luminous intensity is half of the peak value.**



## PRODUCT DATASHEET

### Tuija series

last update 18/4/2012

PHILIPS  
LUMILEDS

#### GENERAL INFORMATION

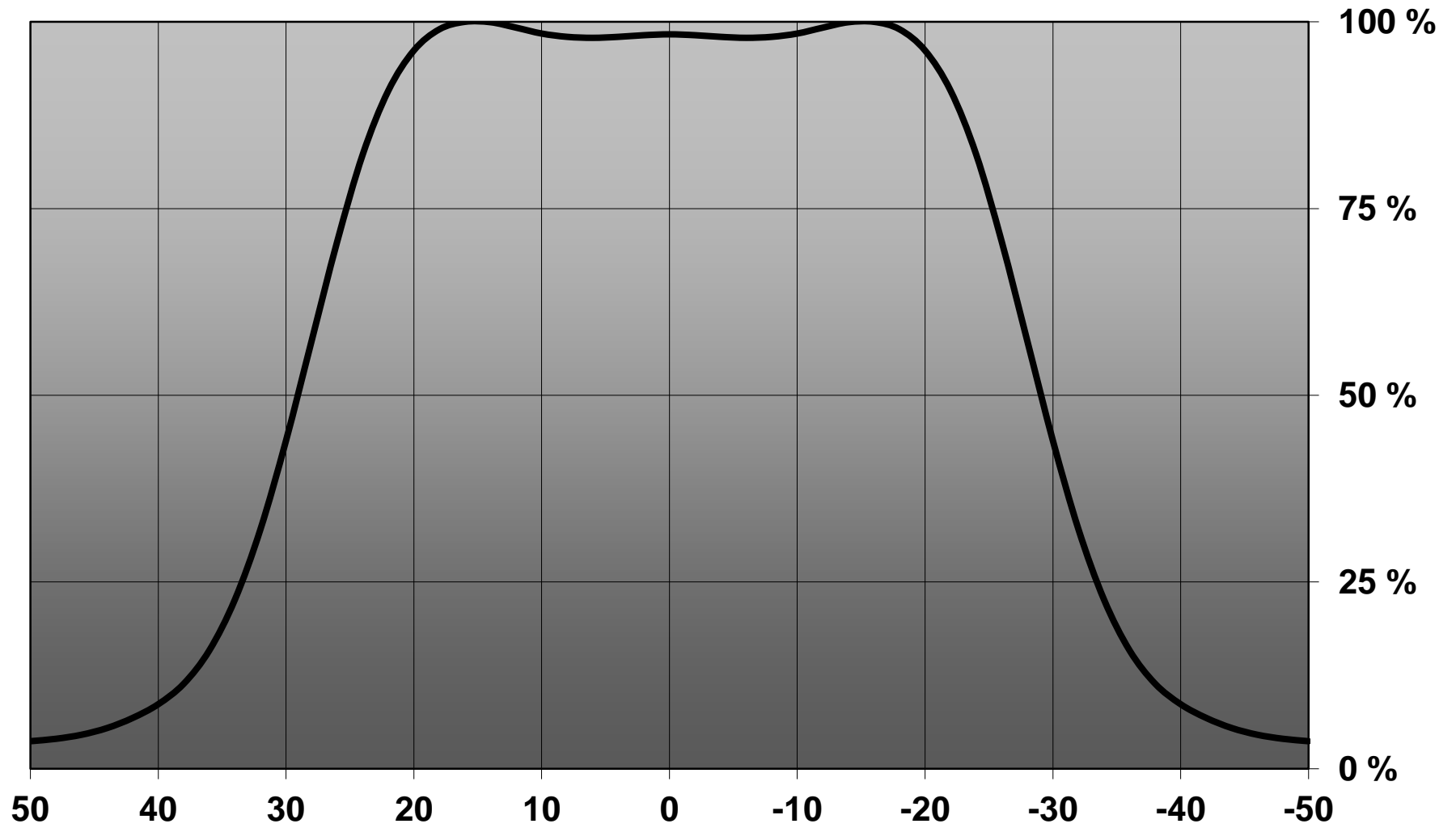
- Product series especially designed & optimized for LUXEON A series of LEDs.
- Special care taken to make light distribution as uniform as possible.
- Lens material optical grade PMMA with high UV and temperature resistance. Allows use of high current and temperature conditions.

Please find more information about used material from below:

[http://ledil.fi/sites/default/files/Documents/Technical/Material/PMMA%20N%20UL94\\_Yellow%20Card.pdf](http://ledil.fi/sites/default/files/Documents/Technical/Material/PMMA%20N%20UL94_Yellow%20Card.pdf)

<http://ledil.fi/sites/default/files/Documents/Technical/Material/PMMA%20N%20PLEXIGLAS-Datasheet.pdf>

### Relative Intensity of C11191\_Tuija-3-W-DD



D

C

B

A

4

4

3

3

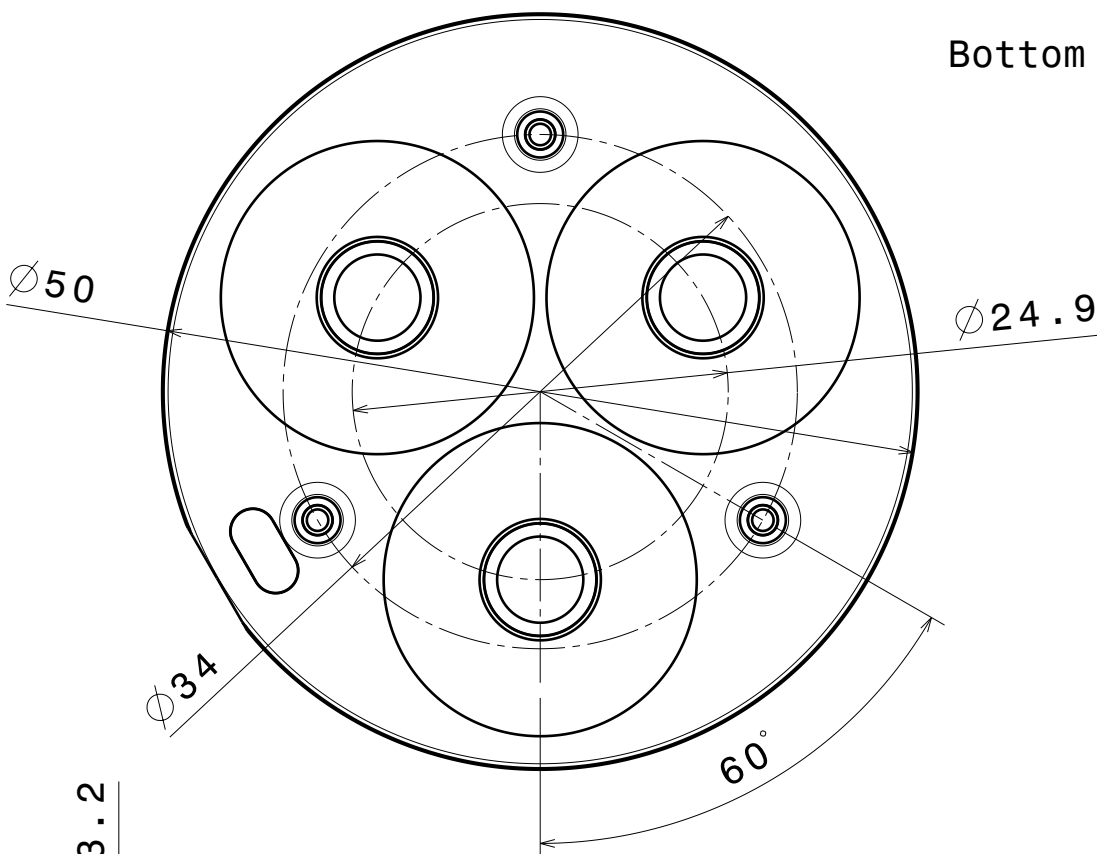
2

2

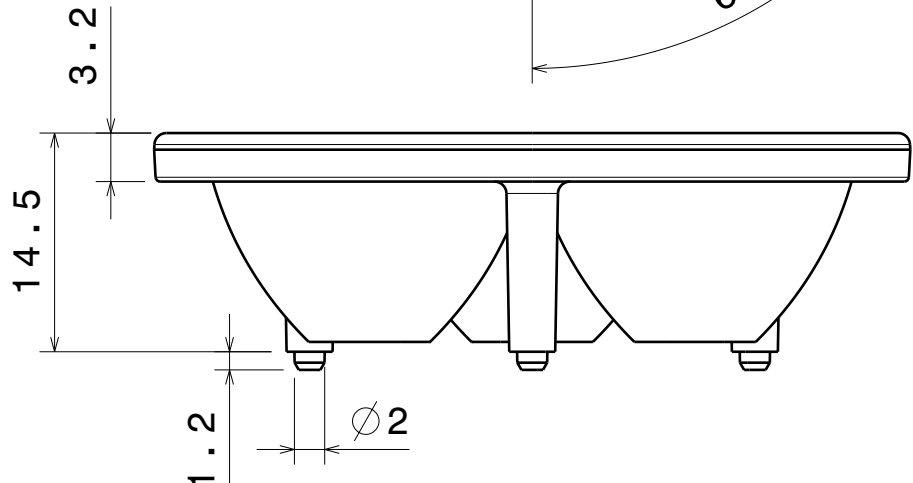
1

1

Bottom view



Front view



Material:  
Lens PMMA

Part no.s:  
C11191\_Tuija-3-W  
C11192\_Tuija-3-SS  
C11193\_Tuija-3-M

Tolerances:  
Dimensions less < 20mm +/-0.1mm  
Dimensions between (21-45)mm +/-0.2mm  
Dimensions between (46-90)mm +/-0.3mm

This drawing is our property.  
It can't be reproduced  
or communicated without  
our written agreement.



L  
T  
F  
F  
e  
e  
i  
i  
N  
n

DRAWING TITLE

DRAWN BY  
p

DATE  
12.10.2009

Datasheet Tuija-3 lens

CHECKED BY  
t k

DATE  
09.10.2009

SIZE  
A4

DRAWING NUMBER  
C11191-193

REV  
1

DESIGNED BY  
HH

DATE  
29.05.2007

SCALE 2:1

WEIGHT (g)

SHEET 1/1

D

A