



Features:

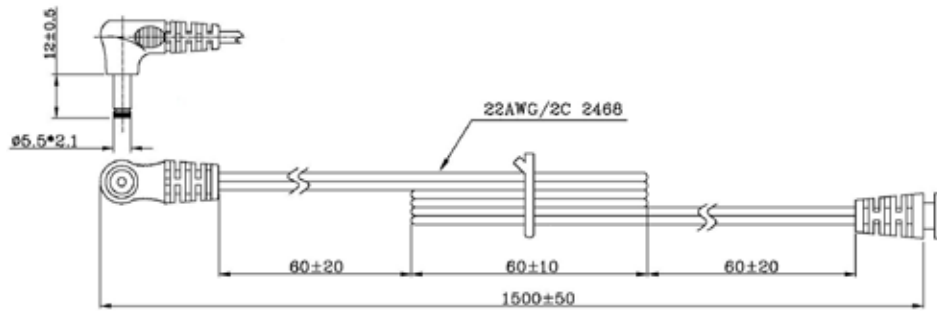
- Universal / Full range AC input
- Versatile Plug & Go / World Traveller design - global potential.
- Class II power (no earth)
- Small & Compact design
- Cost effective and high reliability
- Protections:
 - Over Voltage, Short circuit & Over Temp.
 - Approvals: GS, UL/cUL & CE
 - Level V ErP/EuP efficiency compliant
 - MTBF >50,000 hours
 - 1 Year Warranty



Output Characteristics		
Part Number	T3621ST	T3620ST
Voltage	12Vdc	12Vdc
Current Max.	1A	2A
Current Min.	0A	0A
Power (watts)	12W	24W
Line Regulation	+/- 2 %	+/- 2 %
Total Output Regulation	+/- 5 %	+/- 5 %
Ripple & Noise (mV p-p)	180mV	300mV
Protections	Over Current: There will be no safety hazard in this condition Short Circuit: The adapter shall not be damaged by short the DC output to Ground. Temperature: No ignition, smoke or deformation of the case	
Case Size (See below) mm	79 x 55.4 x 37	85 x 50 x 40
Weight (approx.)	150g	250g
DC Cord	1.5 Metre	1.5 Metre
DC Plug (mm)	Right-Angled 2.1 C+ve	Right-Angled 2.1 C+ve
Input Characteristics		
Rated Input Voltage	100-240Vac	
Full Input Voltage Range	90-264Vac	
Rated Frequency	50-60Hz	
Full Frequency Range	47-63Hz	
Efficiency (min.)	77.76%	80.29%
Input Current (RMS Max.)	300mA	800mA
Inrush Current	No damage shall be occurred and the input fuse shall not be blown up.	
Leakage Current	<0.25mA	<0.25mA
Input Power (no load)	<0.3W Max. (Level V ErP/EuP/CEC Compliant)	
AC Inlet	Pack of 4 AC blades - UK, Euro, US & AUZ	
Safety, Mechanical and Other Characteristics		
Range Model Designations	DSA-12CA & DSA-24CA <i>(specified individually on each product label)</i>	
Hi-Pot Specification	3000Vac or 4242Vdc 10mA 1 min. (I.P. to O.P.)	
Insulation Resistance	500Vdc to test the I.P.-O.P resistance not less than 100Mohm (I.P. to O.P.)	
Operating Temperature	0°C to 40 °C	
Storage Temperature	-20 °C to 60 °C	
Operating Humidity	20% to 85%	
Storage Humidity	5% to 95%	
Safety Approvals	UL/C-UL (UL60950-1), TUV-GS (EN60950-1), T-LICENSE (BS EN60950-1), SAA(AS/NZS60950)	
EMI Standards	FCC(PART 15 Class B), CE(EN55022), C-TICK	
PB-free	Yes. RoHS Compliant	
MTBF	50K Hours (mean time before failure)	

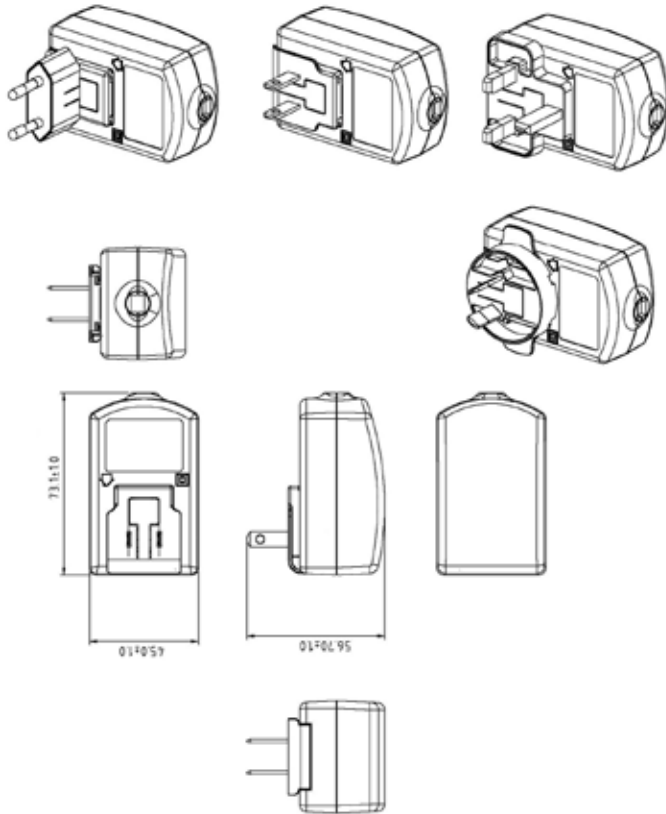
DC Plug & Lead Drawing

• 1.5M DC Lead:



Case Drawings:

• 79x55.4x37 mm:



• 85 x 50 x 40 mm:

