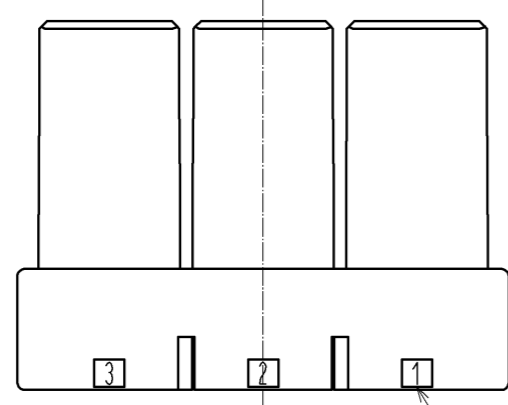
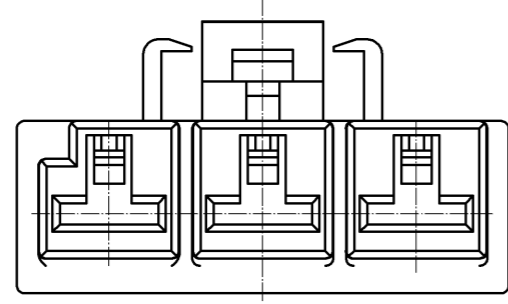
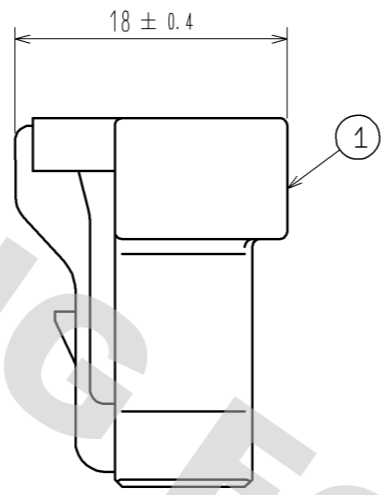
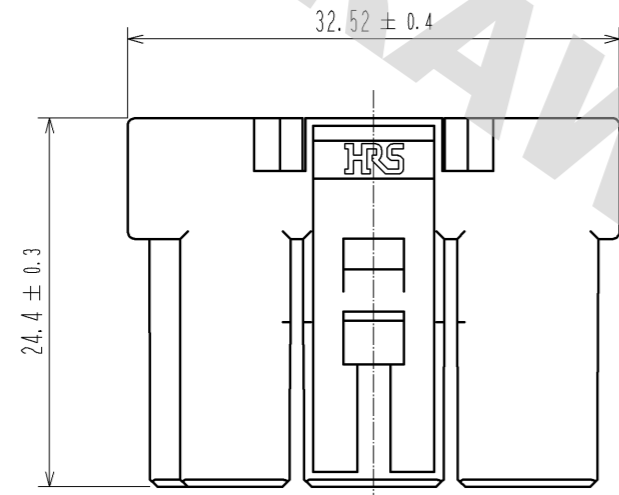
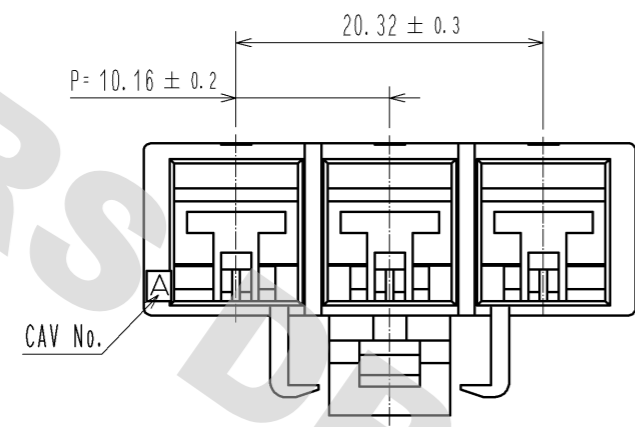


DRAWING FOR REFERENCE: This is subject to change without notice  
08/11/2012



Number of Contact

NOTE1. Per Pack : 100 Pieces

NO.	MATERIAL	FINISH . REMARKS	NO.	MATERIAL	FINISH . REMARKS		
			1	PBT	Black, UL94-V0		
UNITS mm		SCALE 2 : 1	COUNT 	DESCRIPTION OF REVISIONS	DESIGNED	CHECKED	DATE
<b>HRS</b>	HIROSE ELECTRIC CO., LTD.	APPROVED : KI. AKIYAMA	11.08.30	DRAWING NO.	EDC3-336565-00		
		CHECED : OM. MIYAMOTO	11.08.30	PART NO.	DF60-3S-10.16C		
		DESIGNED : SZ. ONO	11.08.29	CODE NO.	CL680-3002-0-00		
		DRAWN : SZ. ONO	11.08.29		1/1		