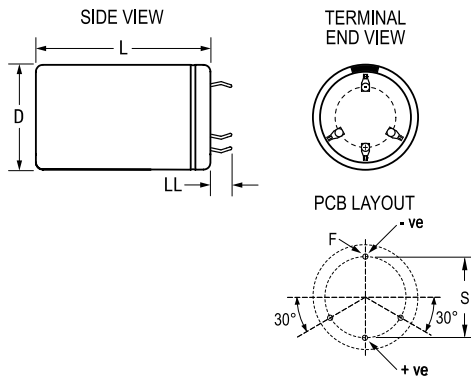


**KEMET Part Number: ALC10C102EP500**  
(A521HW102M500C)

ALC10, Aluminum Electrolytic, 1,000 uF, 20%, 500 VDC, -40/+85°C



General Information	
Supplier:	KEMET
Series:	ALC10
Dielectric:	Aluminum Electrolytic
Description:	Snap-In, Aluminum Electrolytic
RoHS:	Yes
Lead:	4 Pin
AEC-Q200:	No
Notes:	Dimensions D And L Include Sleaving
Shelf Life:	156 Weeks

Dimensions	
D	40mm +1mm
L	105mm +/-2mm
S	22.5mm +/-0.1mm
LL	6.3mm +/-1mm
F	2mm +/-0.1mm

Specifications	
Capacitance:	1,000 uF
Capacitance Tolerance:	20%
Voltage DC:	500 VDC, 550 VDC (Surge)
Temperature Range:	-40/+85°C
Rated Temperature:	85°C
Life:	18000 Hrs (Rated Voltage And Ripple Current At 85C), 29000 Hrs (Rated Voltage at 85C)
Resistance:	140 mOhms (100Hz 20C), 98 mOhms (10kHz 20C)
Ripple Current:	5.43 Amps (100Hz 85C), 9.18 Amps (10kHz 85C)
Leakage Current:	3000 uA (5min 20°C)

Packaging Specifications	
Weight:	170 g
Sleaving:	Yes
Packaging:	Bulk, Bag
Packaging Quantity:	25