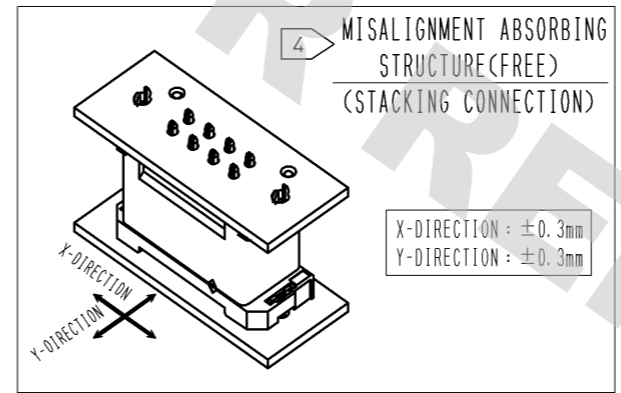
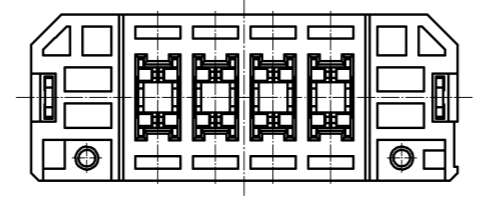
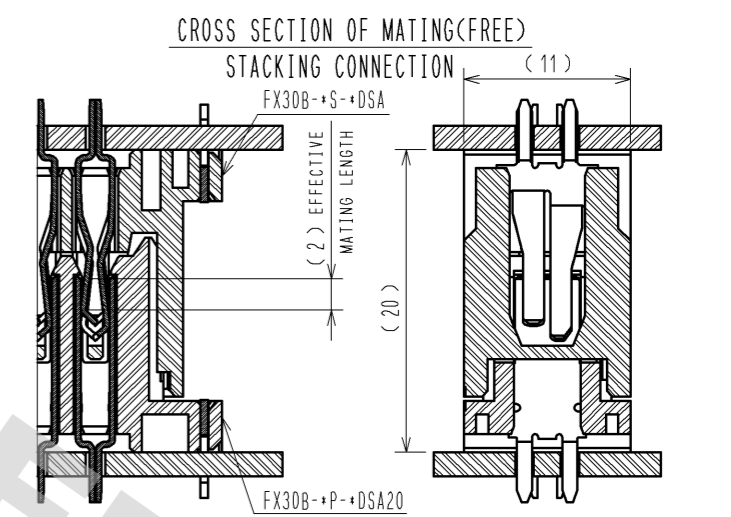
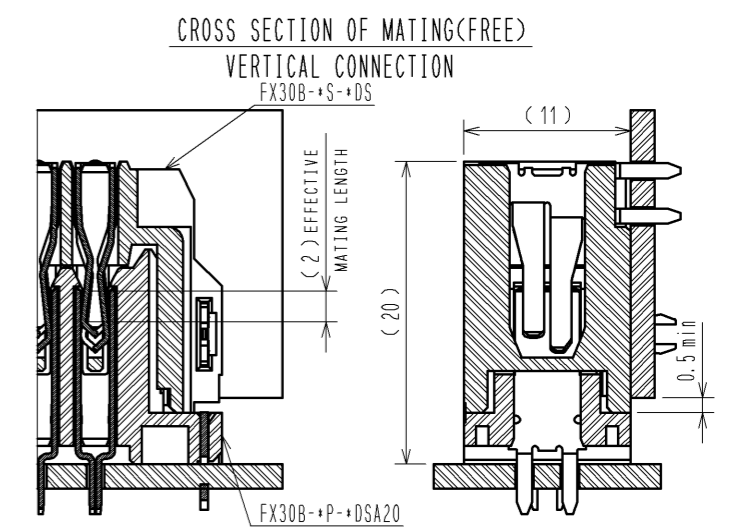
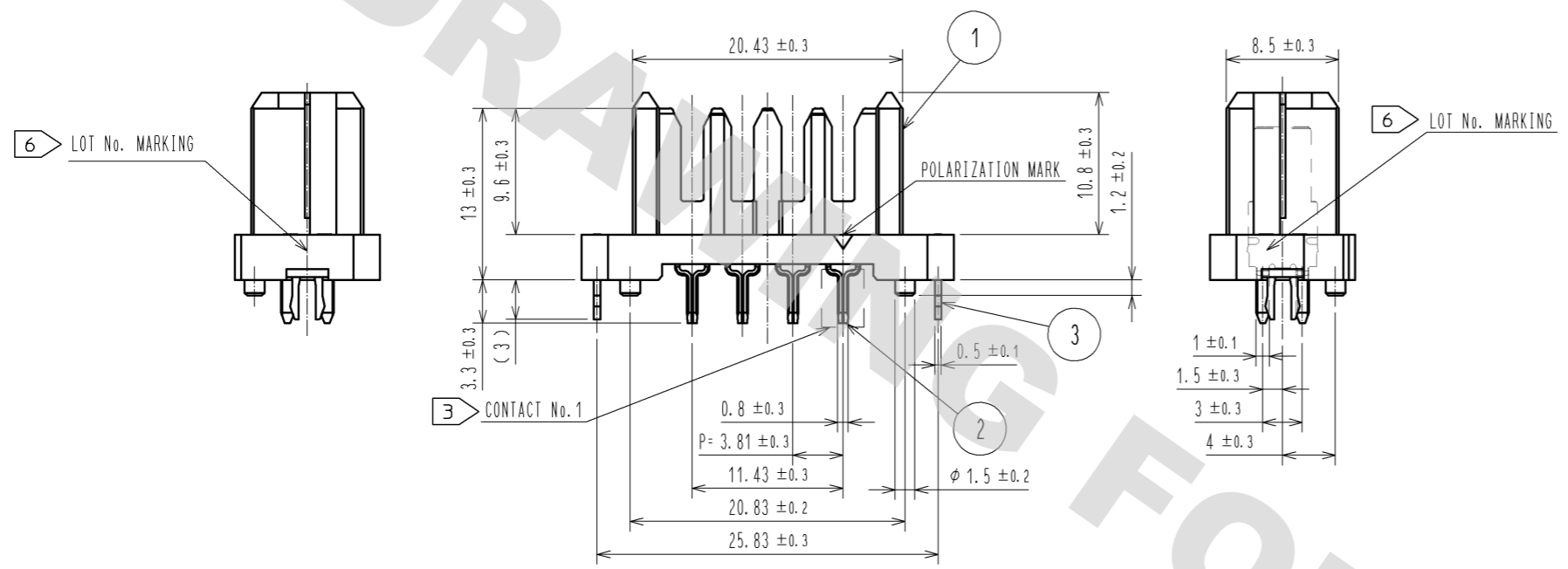
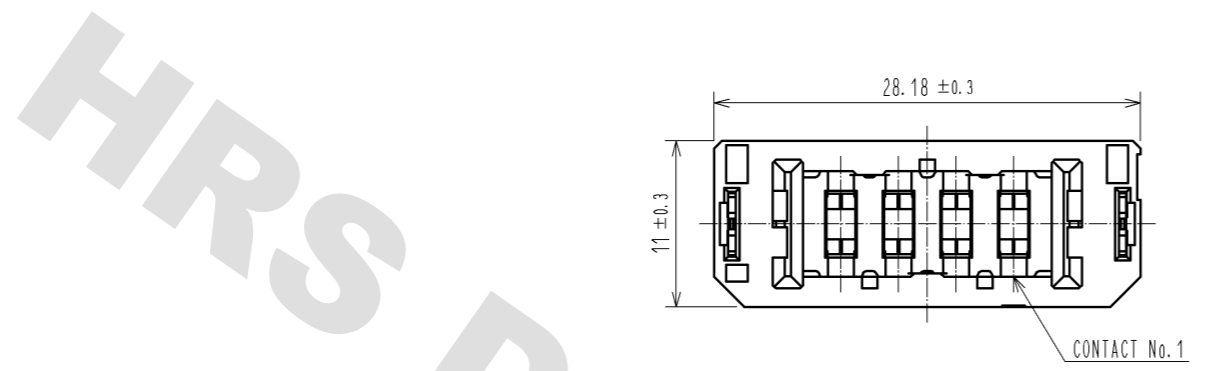


DRAWING FOR REFERENCE: This is subject to change without notice  
12/05/2013

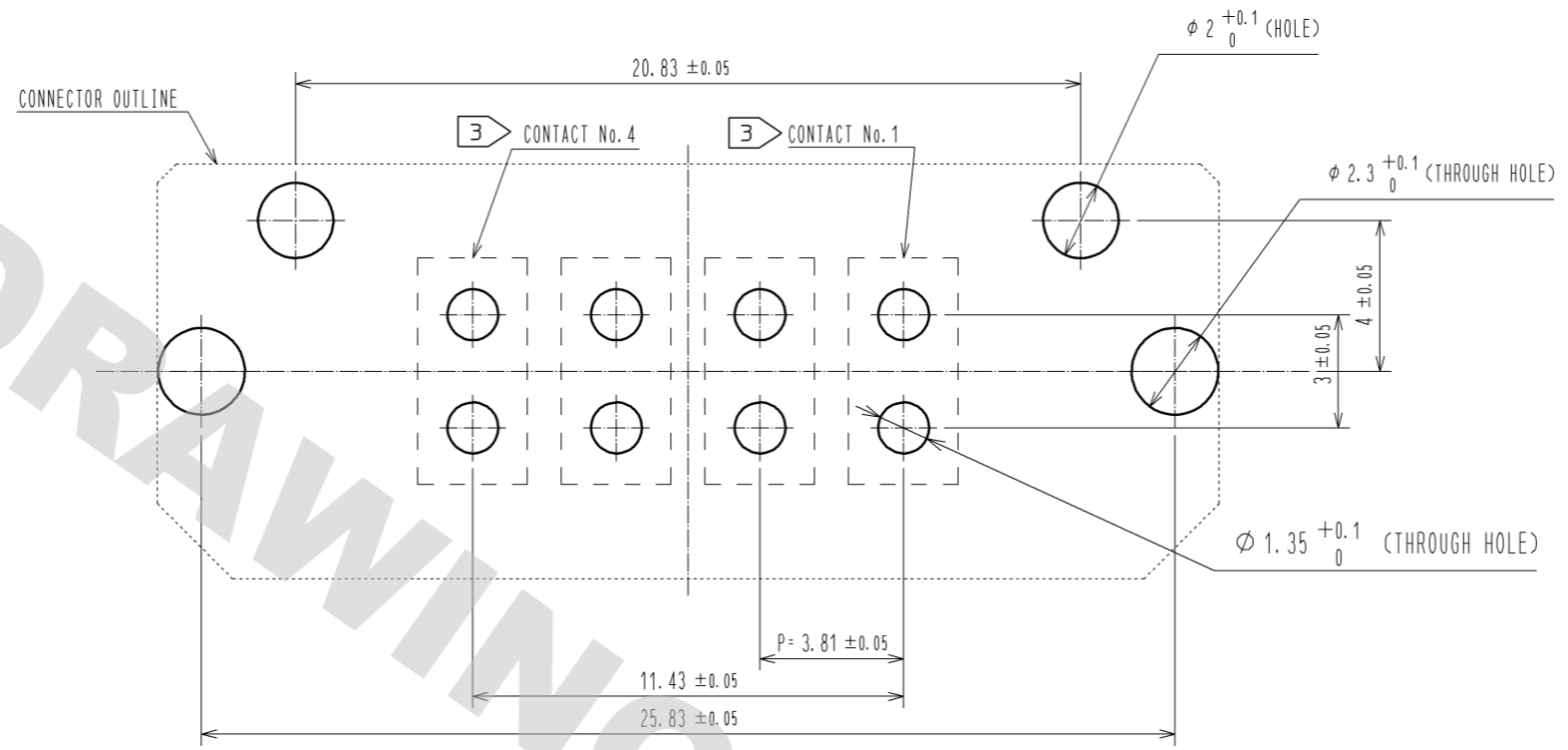


- NOTE
- 1 THIS PRODUCT IS PACKAGED IN TRAY. (35pcs/TRAY)
  - 2 BLEMISH AND HIT MARK CAN BE OCCURED THROUGH OUT THE MANUFACTURING PROCESS WHICH DOESN'T AFFECT QUALITY LEVEL. ALSO, BLACK SPOT COULD BE OBSERVED ON THE SURFACE OF HOUSING.
  - 3 FOR THE CONTACT NO., ADJACENT TWO PAIRS OF LEADS PLACED BACK-TO-BACK (4 LEADS IN TOTAL) COMPOSE ONE LINE.
  - 4 MISALIGNMENT ABSORBING RANGE: ± 0.3mm max.
  - 5 THE DIMENSION IN PARENTHESES ARE FOR REFERENCES.
  - 6 LOT NO. IS INDICATED AT EITHER ONE OF THE POSITION AS SHOWN.

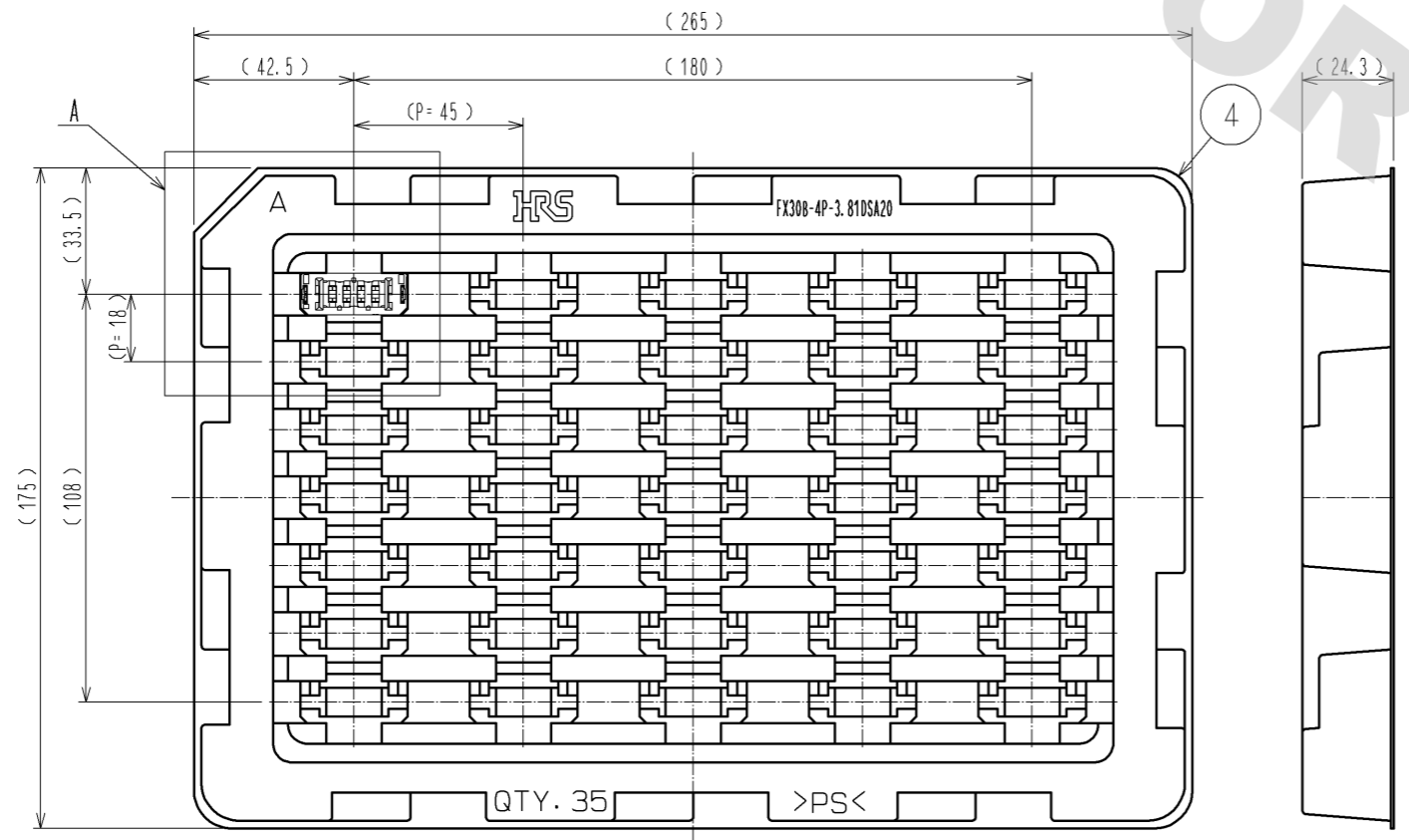
2	COPPER ALLOY	CONTACT AREA: GOLD-PLATING 0.1 μm	4	POLYSTYRENE	TIN-PLATING 3.0 μm			
		LEAD AREA: TIN-PLATING 1.0 μm			3	PHOSPHOR BRONZE	UNDER PLATING: NICKEL 1.0 μm	
		UNDER PLATING: NICKEL 1.0 μm					BLACK UL94V-0	
1	POLYAMIDE	FINISH . REMARKS	NO.	MATERIAL	FINISH . REMARKS			
UNITS mm		SCALE 2 : 1	COUNT 2	DESCRIPTION OF REVISIONS DIS-F-006956		DESIGNED DK. AIMOTO	CHECKED KI. HIROKAWA	DATE 13.08.26
<b>HRS</b> HIROSE ELECTRIC CO., LTD.		APPROVED : HS. OKAWA	13.03.13	DRAWING NO. EDC3-347257-00				
		CHECED : KI. HIROKAWA	13.03.12	PART NO. FX30B-4P-3.81DSA20				
		DESIGNED : DK. AIMOTO	13.03.11	CODE NO. CL570-3102-9-00				
		DRAWN : DK. AIMOTO	13.03.11					

DRAWING FOR REFERENCE: This is subject to change without notice  
12/05/2013

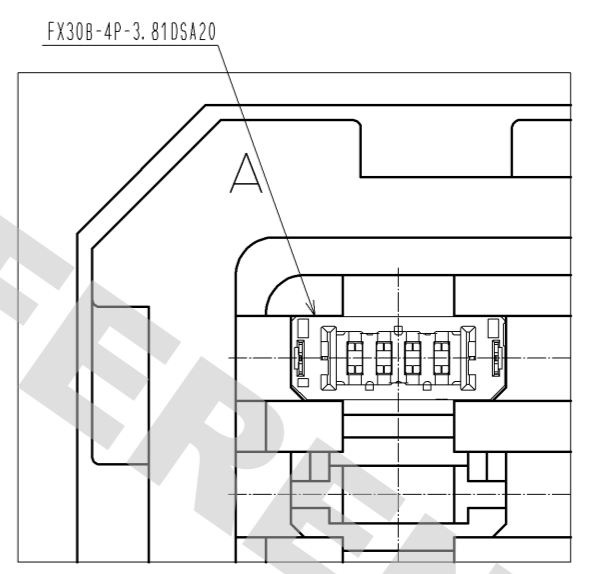
RECOMMENDED HOLE PATTERN DIMENSION OF PCB(5:1)  
(CONNECTOR MOUNTING SIDE, PCB THICKNESS: t=1.6mm)



1 DRAWING FOR PACKAGING(1:2)



A(1:1)



<b>HRS</b>	DRAWING NO.	EDC3-347257-00	1/2
	PART NO.	FX30B-4P-3.81DSA20	
	CODE NO.	CL570-3102-9-00	