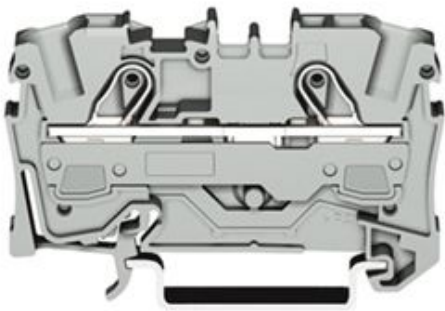

Item no.: 2016-1202
Product description: 2-Conductor through terminal block suitable for Ex e applications



Produkt kann von Bild abweichen / product may differ

Packing unit 20 pieces

RoHS compliant

Current intensity EN	90 A
Product group	22 (TOPJOB S RAIL-MOUNTED TERMINAL BLOCKS)
Cross section [mm ²]	0.5 - 16 mm ²
Cross section [AWG]	20 - 4 AWG
Connection method	CAGE CLAMP®S Connection
Cross section [mm ²]	0.5 - 25 mm ²
Cross section [AWG]	20 - 4 AWG
Wiring method	f
Connection method	CAGE CLAMP®S Connection
Measured voltage EN	800 V
Measured shock voltage	8 kV
Pollution degree	3
Current intensity EN	76 A
Rated voltage EN (Ex e II)	550 V
Nominal current (Ex e II)	70 A
Weight	19.778 g
Color	orange
Wiring type	Front-entry

No. of connection Points	2
No. of potentials	1
Height	37 mm
Height	1.457 in



Width	12 mm
Width	0.472 in
Depth	70 mm
Depth	2.756 in
Strip length from	18 mm
Strip length to	20 mm
Strip length	0.75 in
Customs Tariff No.	85369010
Country of Origin	Deutschland
Mounting	TS 35



Item number	Admission office	Approval no.	Voltage [V]	Current [A]	Cross section [mm ²]
2016-1202	ABS	05-HG476175/3-PDA	800	76	0,5-25
2016-1202	CCA	NL6426	800	76/90	0,5-16
2016-1202	CSA	154112-1579112	600	85	20-4
2016-1202	DNV	E-10423	800	76	0,5-25
2016-1202	GL	26187-05HH	800	76	0,5-16
2016-1202	KEMA	2121287.03	800	76/90	0,5-25
2016-1202	LR	91/20112(E6)	800	76	0,5-25
2016-1202	PRS	TE/1718/880590/08	800	76	0,5-25
2016-1202	PTB	IECExPTB05.0015U	550	33	0,5-25(25 ² hur
2016-1202	PTB	PTB05Atex1031U	550	33	0,5-25(25 ² hur
2016-1202	RosTest	8189158	550	33	0,5-25(25 ² hur
2016-1202	UR	E45172	600	85	20-4

Sorting criteria: admission office - approval number

© WAGO Kontakttechnik GmbH & Co. KG

Specifications are subject to changes and errors may be expected