

- Complete AM Remote Control System
- 4 Channel Keyfob and Receiver with Decoding



- High Security
- 'Easy Learn' Feature
- Upto 3 Transmitters per System
- Upto 30 metres Range

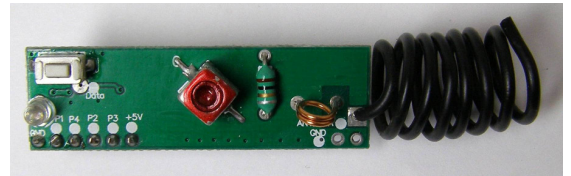
Transmitter Keyfob

- Robust Enclosure
- Protective Sliding Cover
- 4 Buttons / Channels



Receiver Module

- Range up to 30 Metres
- AM remote system
- 4 Independent Outputs
- 5V dc Supply
- Low Power Consumption
- Direct CMOS/TTL Outputs



Description

A versatile general purpose remote control, which provides a bolt on 'Remote Control' feature to your application.

The Transmitter incorporates a secure 'sliding Cover' to protect the four switches when not in use.

Easy to install, the receiver is self contained, with an on-board learn Switch and indicator LED. To learn an additional transmitter simply press the learn switch then operate the transmitter.

The system utilises the highly secure Microchip 'Keeloq' code hopping protocol to ensure reliable operation.

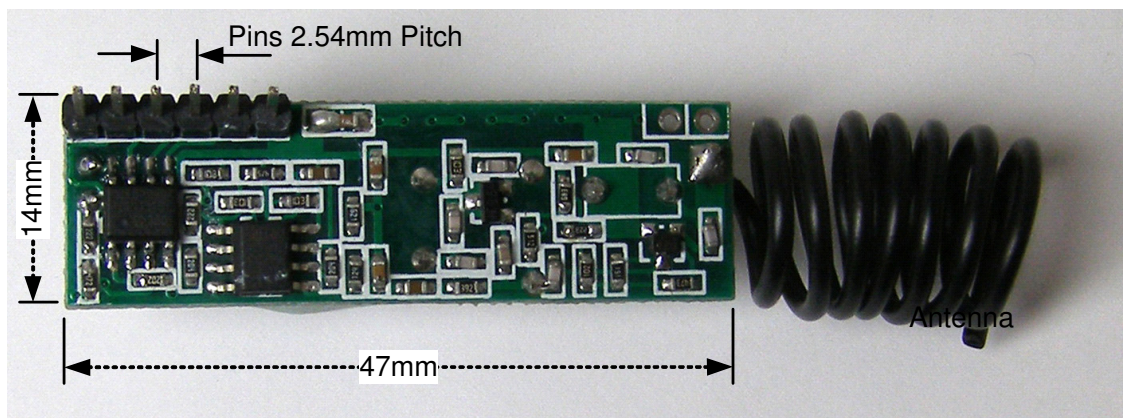
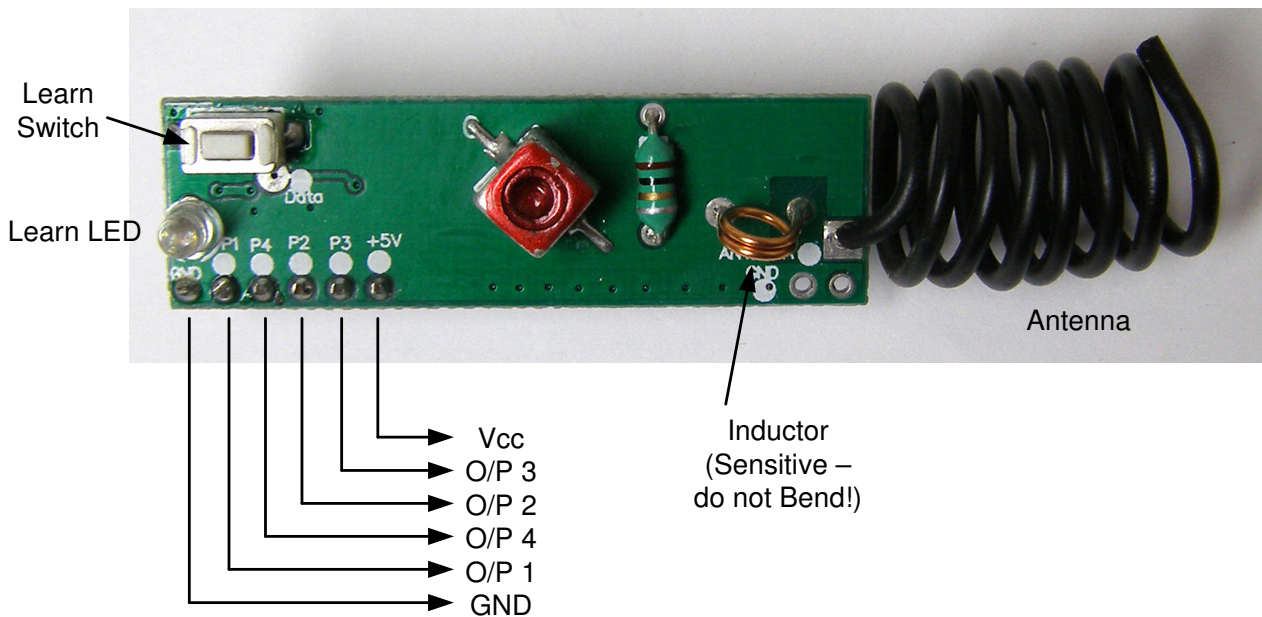
Power to the receiver is 5Vdc and the output(s) operate when the transmitter switch is pressed by the receiver.

Part Numbers

Part Number	Description	Freq (MHz)	Range** (Metres)
ZANDER-T4	Secure Transmitter Keyfob	433.92	30
ZANDER-RXD	Receiver Module with Decoder Function		
ZANDER-S4	Transmitter Keyfob and Receiver module set		

** Range stated is optimum, direct line of sight. In worst conditions this can be reduced.

Receiver Decoder Module



Learning a New Transmitter Keyfob Switch

1. Press the learn switch, the Learn LED will illuminate.
2. Press the transmitter once, Learn LED will extinguish.
3. Press the transmitter again, the accept LED will flash.
4. This transmitter will now operate the system.

Erasing Existing Transmitters

1. To completely erase the Receiver memory, press and hold Learn Switch until the Learn LED Flashes (takes approx 10 seconds).

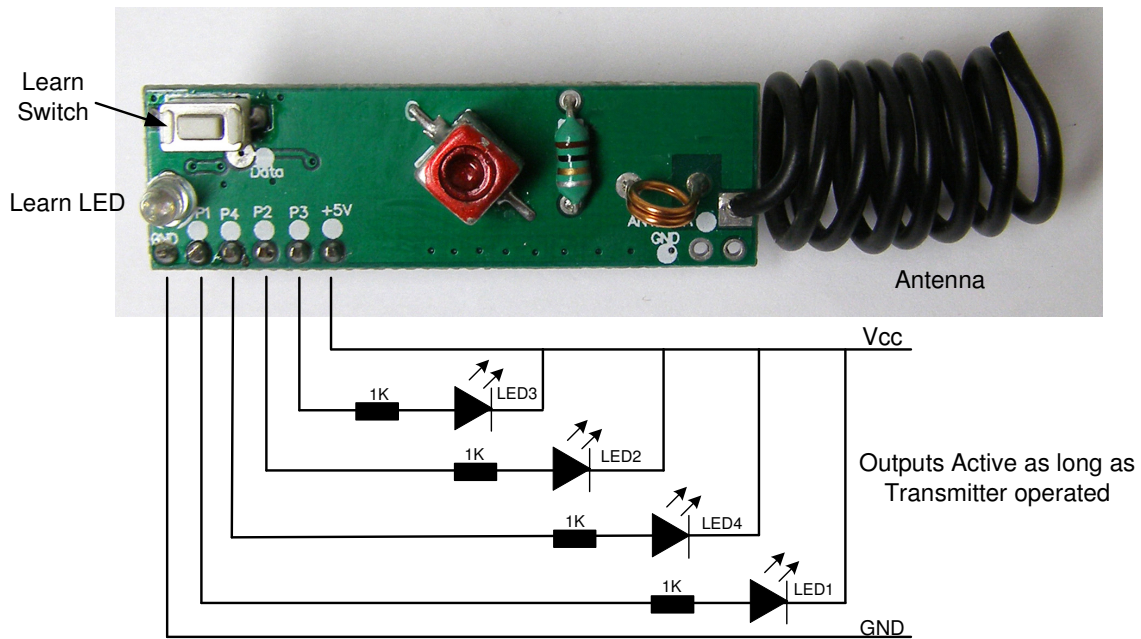
NOTE: You cannot erase individual Tx encoders

Notes on Transmitter / Receiver Pairing

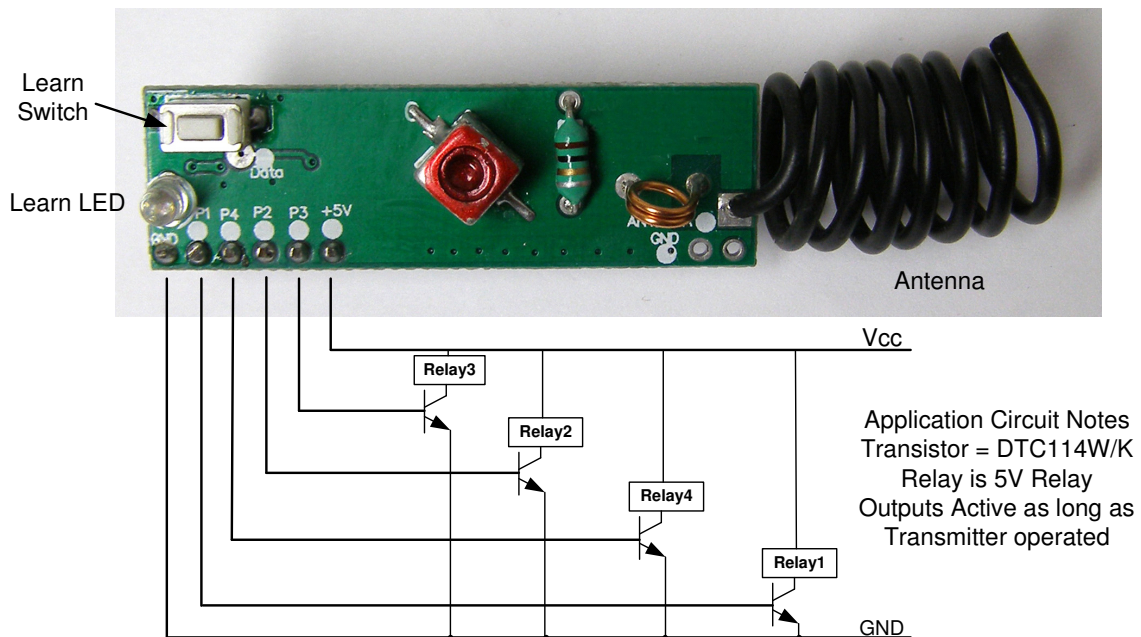
Each transmitter has a unique identity, (and is code hopping), the identity is encrypted and transmitted as a random number on each press of the switch.

Note : the same transmitter may be taught to any number of receivers to create 'master keys'.

Application Circuit #1 Operating LED's



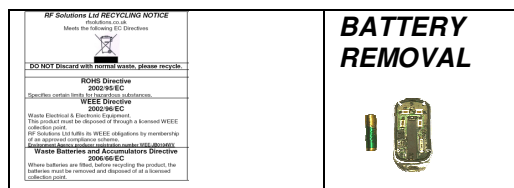
Application Circuit #2 Operating Relays



Technical Specifications

Transmitter Keyfob

Battery Type GCR2016 x 2pcs (supplied)
PLEASE DISPOSE OF RESPONSIBLY



Electrical Characteristics	Min	Typical	Max	Units
Supply Voltage		6		Vdc
Supply Current : Quiescent		0		mA
Supply Current : Transmitting		8		mA
Operating frequency		433.92		MHz

Receiver Decoder

Weight 5.5g

Parameter	Min	Typ	Max	Unit
Frequency	433.42	433.92	434.12	MHz
Receiver Sensitivity			-112	dBm
Supply Voltage.VDD	4.9	5	5.4	Vdc
Current	5.3	5.4	5.8	mA
Operating Temperature	-10		+65	□

QuasarUK is an internet based company. All Sales / support and interface is via our website at

www.quasaruk.co.uk

for Sales:

Sales : sales@quasaruk.co.uk

for Support:

Support : sales@quasaruk.co.uk

Support Tel: 0907 639 0000

Calls charged at £0.60 per minute from a BT landline other networks may vary. Callers must be 18 or over and have the bill payers permission. Service provided by StealthNET Ltd :08444150774

Disclaimer:

Whilst the information in this document is believed to be correct at the time of issue, QuasarUK Ltd does not accept any liability whatsoever for its accuracy, adequacy or completeness. No express or implied warranty or representation is given relating to the information contained in this document. QuasarUK Ltd reserves the right to make changes and improvements to the product(s) described herein without notice. Buyers and other users should determine for themselves the suitability of any such information or products for their own particular requirements or specification(s). QuasarUK Ltd shall not be liable for any loss or damage caused as a result of user's own determination of how to deploy or use R F Solutions Ltd's products. Use of QuasarUK Ltd products or components in life support and/or safety applications is not authorised except with express written approval. No licences are created, implicitly or otherwise, under any of QuasarUK Ltd's intellectual property rights. Liability for loss or damage resulting or caused by reliance on the information contained herein or from the use of the product (including liability resulting from negligence or where QuasarUK Ltd was aware of the possibility of such loss or damage arising) is excluded. This will not operate to limit or restrict QuasarUK Ltd's liability for death or personal injury resulting from its negligence.