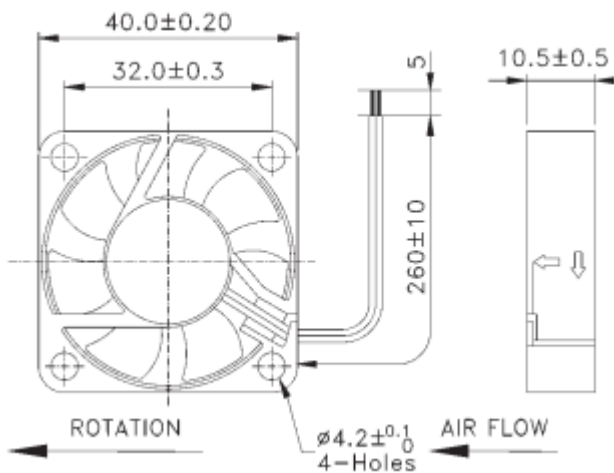


Datasheet

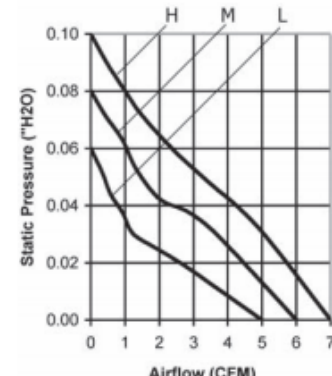
DC Axial Fan, 40x 40 x 10.5mm

RS Stock number [789-7858](#)

Dimensions: (mm)



Specifications

Frame & Impeller	PBT, UL94V-O plastic	Available Options: Tachometer Alarm Thermal control Sleeve bearing IP55 <u>Life Expectancy (L10)</u> Ball - 60,000 hrs (45C) Sleeve - 30,000 hrs (45C) <u>Operating Temperature</u> Ball: -20 ~ 80C	
Connection	2x Lead wires 26AWG		
Motor	Brushless DC, auto restart, impedance and polarity protected		
Bearing System	Ball bearing		
Insulation Resistance	10M ohm between leadwire and frame (500VDC)		
Dielectric Strength	1 second at 500 VAC, max leakage - 500 MicroAmp		
Storage Temperature	-30C ~ +90C		

m1