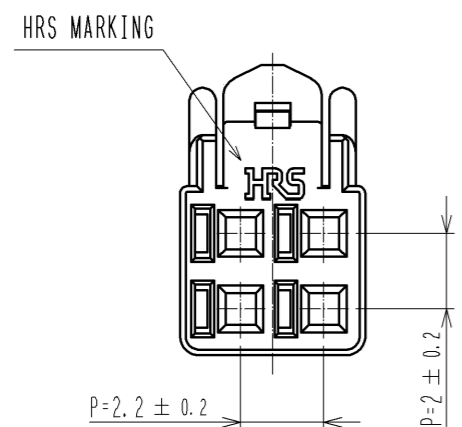
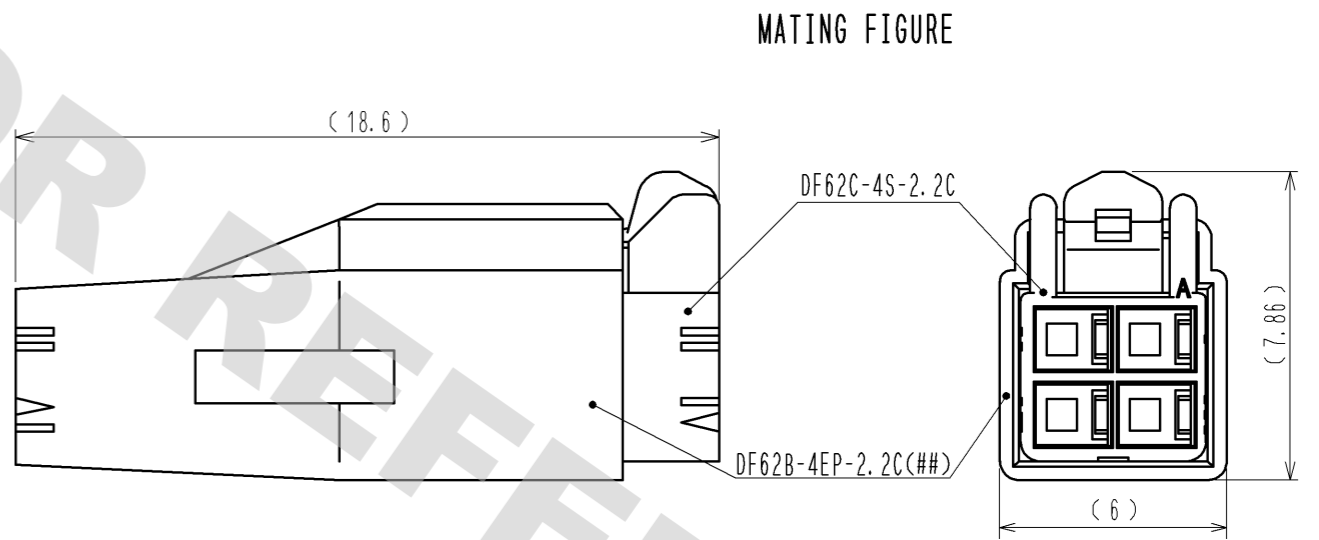
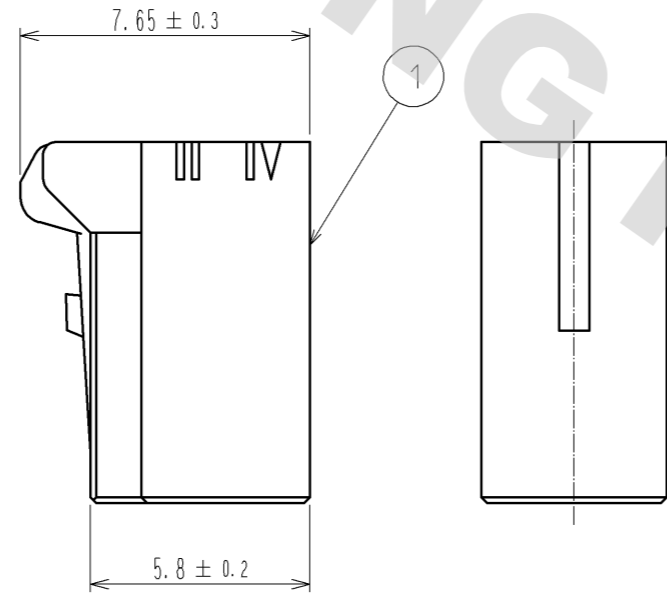
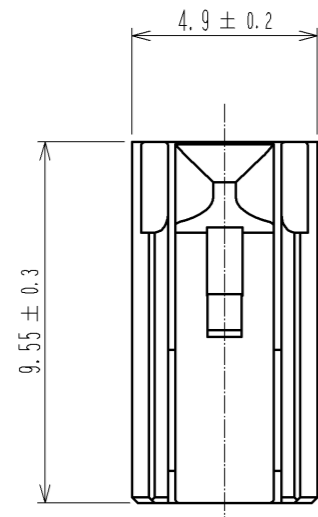
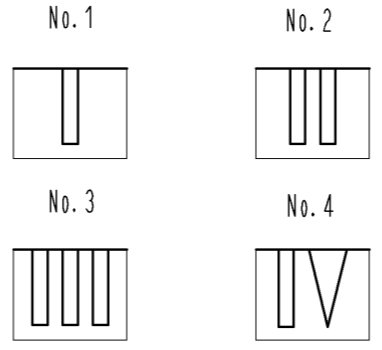
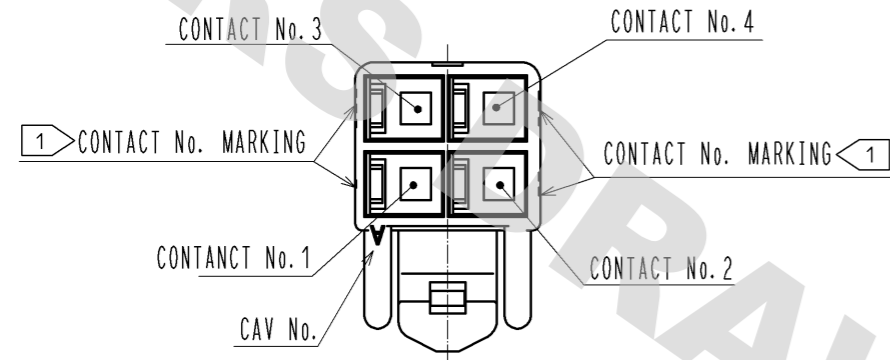


DRAWING FOR REFERENCE: This is subject to change without notice
12/05/2013

1> FIGURE-1 CONTACT No. MARKING (10:1)



NOTE. 1> MARKINGS AT THE INDICATED POSITIONS ARE CONTACT NO. MARKING. AND SHAPES ARE SHOWN IN FIGURE-1.
2. PER PACK : 100 PIECES.
3. THE DIMENSIONS IN PARENTHESIS ARE FOR REFERENCE.

NO.		MATERIAL		FINISH . REMARKS		1	PBT	UL94V-0 (WHITE)		
UNITS mm		SCALE 5 : 1		COUNT		DESCRIPTION OF REVISIONS		DESIGNED	CHECKED	DATE
HRS HIROSE ELECTRIC CO., LTD.		APPROVED : KI. AKIYAMA		13. 05. 28		DRAWING NO.		EDC3-351972-00		
		CHECKED : HK. UMEHARA		13. 05. 28		PART NO.		DF62C-4S-2.2C		
		DESIGNED : TS. KUMAZAWA		13. 05. 28		CODE NO.		CL544-0567-0-00		
		DRAWN : TS. KUMAZAWA		13. 05. 28		NO.		1/1		