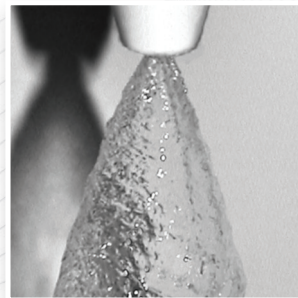


# Instant Manual I3VS

- Easy to use – single control for temperature and flow rate
- Unique Vortex technology improves flow and prevents lime scale
- Instant heating – saving energy and water
- Robust and compact construction



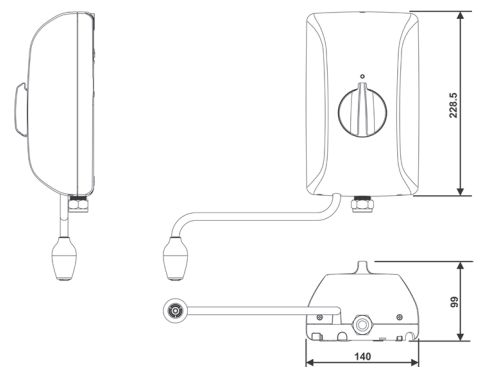
## Key Features

- Simple to fit – direct swap with previous Redring I3V installations
- Heat on neon indicator and overheat protection
- 3kW power = hot water, fast
- Anti-vandal spray head and swivel 200mm stainless steel spray arm
- 1 year guarantee

## Technical Specification

- 3kW power
- Direct connection to water mains – standard 15mm pipework
- Top, bottom and rear cable entry options
- Standard fixing kit supplied
- Operating water pressure 0.7 – 7 bar (10-100 PSI)
- Water pressure operated power switch
- IPX4 rated

## Dimensions



All measurements are in mm

Product Ref.	Finish	Model	Cat No.
Manual I3VS	White	I3VS	43678901