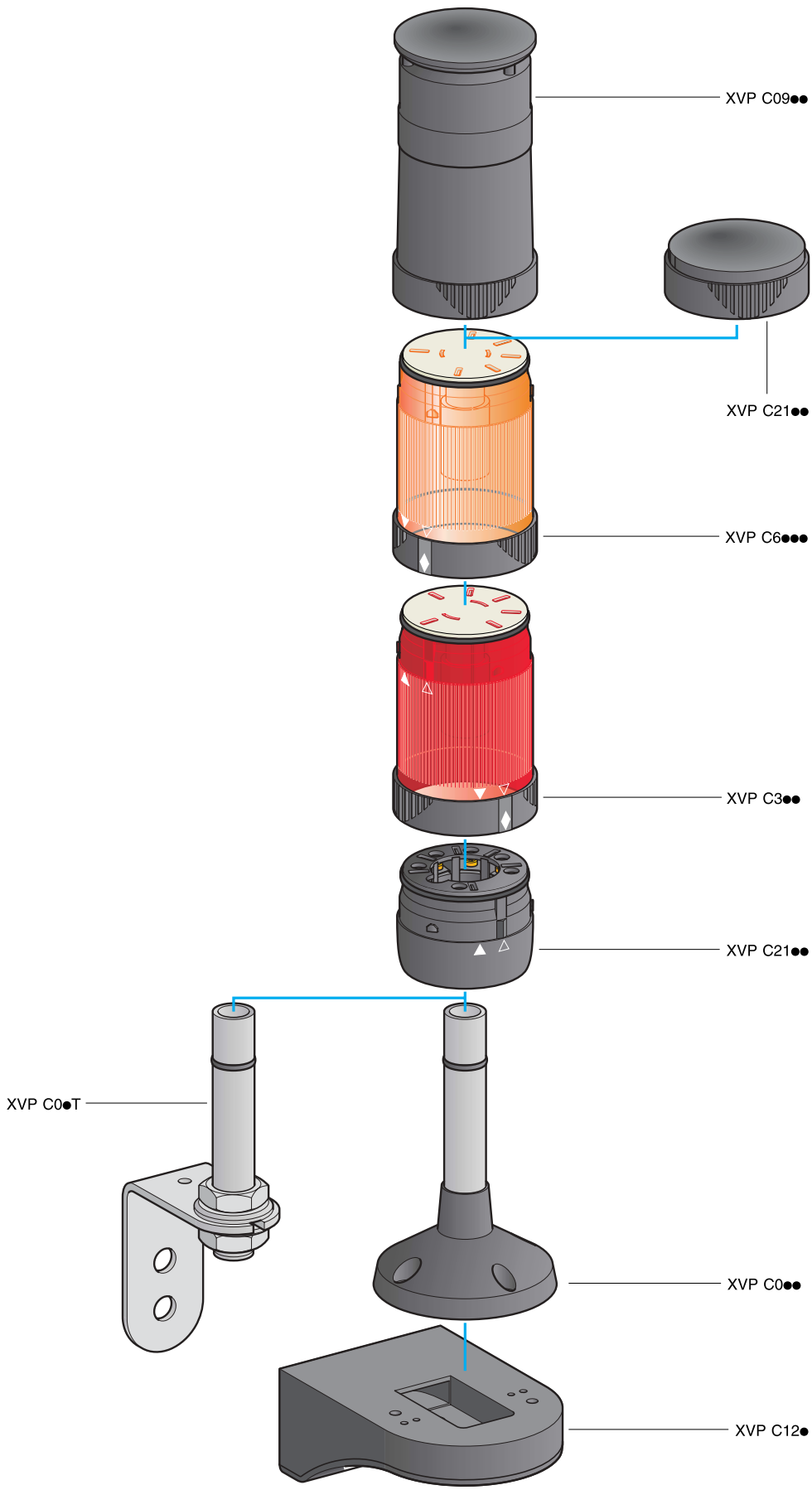


Beacons and indicator banks

Ø 50 mm indicator banks, type XVP C



Beacons and indicator banks

Ø 50 mm indicator banks, type XVP C

XVP C indicator banks are visual or audible signalling units for indicating, throughout 360° and at a distance, the various states or operation sequences of a machine or installation.

Their reduced diameter (50 mm) makes them particularly suitable for use on small equipment.

In addition, the availability of two versions (aesthetic black or cream), makes them ideal for use in all sectors of activity: light industry, electronic, tertiary sector, food/drink processing.

The indicator bank

Customer assembled product

Variable composition assembly of 1 to 5 illuminated or audible units which are supplied as separate items (assembly by user).

The bank comprises:

- a base unit with bottom cable entry,
- 1 to 5 illuminated units with steady, flashing or "flash" light (colour: green, red, orange, blue, clear or yellow),
- or 1 audible unit

(maximum of 5 illuminated units or 4 illuminated units + 1 audible unit),

- a cover for the top unit.

The illuminated or audible units stack vertically and are easily locked and unlocked using an integral clamping ring.

Electrical connections between each unit are made automatically.

The flashing units are only available in the LED version and incorporate BA 15d base mounted flashing LEDs.

Accessories

- Threaded aluminium support tube (length 100, 250 or 400 mm), plus fixing bracket.
- Aluminium support tube (length 112, 260 or 410 mm) with integral black or cream fixing base, for mounting on vertical support

Installation

Mounting

Base unit fixed directly onto panel using 4 screws or by using a fixing plate in conjunction with support tube with integral fixing base.

Cabling

By means of terminal block incorporated in base unit. The screw and captive cable clamp terminals are protected to prevent any accidental contact with live parts. Cream coloured base units are available for use with eyelet tags.

Environment			
Product certifications	Standard version		CSA marking Cc
Conformity to standards			IEC/EN 60947-5-1
Protective treatment	Standard version		"TC"
Ambient air temperature	For storage		°C - 40...+ 70
	For operation	Illuminated units with steady light	°C - 25...+ 50 with 7 W incandescent bulb - 25...+ 50 with LED
		Illuminated "flash" units (discharge tube) Audible units	°C - 25...+ 50
Electric shock protection conforming to IEC 536	Mounted on support tube		Class I
	Mounted on base unit		Class II
Degree of protection	Conforming to IEC 60529 and NF C 20-010		- IP 65 for illuminated units - IP 43 for audible units
Material	Illuminated units		Polycarbonate and Polyamide
	Base unit and cover		Acrylic Butadiene-Styrene + Polycarbonate and Polyamide
	Support tube + fixing base		Aluminium and Acrylic Butadiene-Styrene + Polycarbonate
Electrical characteristics			
Rated insulation voltage (Ui)	Conforming to IEC 60947-1		V 250
Voltage limits	Conforming to IEC 60947-5-1		V 0.85 to 1.10 Un (Un: nominal voltage)
Consumption	LED unit	Steady light	mA ≈ 24 V: < 80 ~ 120...230 V: < 30
		Flashing light	mA ≈ 24 V: < 40 ~ 120...230 V: < 15
	Illuminated "flash" unit (discharge tube)	On power-up	mA ≡ 24 V: ≤ 40
			mA ~ 120 V: ≤ 20
			mA ~ 230 V: ≤ 11
	Audible units		mA ≡ 24 V: ≤ 15
			mA ~ 120 V: ≤ 15
		mA ~ 230 V: ≤ 12	
Rated impulse withstand voltage	Conforming to IEC 60947-1		kV U imp = 4
Light source	Illuminated units with steady or flashing light		LEDs: degree of pollution 2 Bulbs with BA 15d base fitting, maximum power 7 W
Illuminating power	Illuminated units with steady light		cds 2.4 with clear lens unit (7 W incandescent bulb)
	Illuminated "flash" units (discharge tube)		cds 1.2 (24 V) with clear lens unit (0.3 J tube), 5 (120...230 V) with clear lens unit (0.6 J tube)
Audible unit	Continuous or intermittent tone		dB Adjustable: 85 ± 3 max., 55 ± 3 min. at 1 m
	Fundamental frequency		kHz 10 adjustable levels
Terminal referencing	Common to all 5 units		1 terminal referenced -/C
	Depending on number of units		1 or 5 terminals referenced +/1 to +/5
Connection	Maximum clamping capacity on protected, ready-to-tighten, screw and captive cable clamp terminals		mm² 1 x 1.5 with cable end
Frequency of illuminated units	Illuminated "flash" units (discharge tube)		Hz 0.6...2
	Flashing illuminated units		Hz 1
Service life in rapidly ageing environment	Illuminated "flash" units (discharge tube) Audible units		H > 1000, continuous (climatic cycle - 25°C...+ 50°C)

Beacons and indicator banks

Ø 50 mm indicator banks, type XVP C for customer assembly (up to 5 units)
Illuminated units



XVP C3●



XVP C3●W



XVP C6●●



XVP C6●●W

Illuminated units for steady or flashing light signalling

Description	Light source	Colour	Reference	Weight kg
For BA 15 d bulb				
With black clamping ring	7 W max. incandescent bulb (not included) 250 V max. or LED	Green	XVP C33	0.100
		Red	XVP C34	0.100
		Orange	XVP C35	0.100
		Blue	XVP C36	0.100
		Clear	XVP C37	0.100
		Yellow	XVP C38	0.100
With cream clamping ring	7 W max. incandescent bulb (not included) 250 V max. or LED	Green	XVP C33W	0.100
		Red	XVP C34W	0.100
		Orange	XVP C35W	0.100
		Blue	XVP C36W	0.100
		Clear	XVP C37W	0.100
		Yellow	XVP C38W	0.100

Illuminated "flash" units with discharge tube

Description	Voltage	Colour	Reference	Weight kg
With black clamping ring	(0.3 Joules) --- 24 V	Green	XVP C6B3	0.120
		Red	XVP C6B4	0.120
		Orange	XVP C6B5	0.120
		Blue	XVP C6B6	0.120
		Clear	XVP C6B7	0.120
		Yellow	XVP C6B8	0.120
	(0.6 Joules) ~ 120 V	Green	XVP C6G3	0.115
		Red	XVP C6G4	0.115
		Orange	XVP C6G5	0.115
		Blue	XVP C6G6	0.115
		Clear	XVP C6G7	0.115
		Yellow	XVP C6G8	0.115
With cream clamping ring	(0.3 Joules) --- 24 V	Green	XVP C6B3W	0.120
		Red	XVP C6B4W	0.120
		Orange	XVP C6B5W	0.120
		Blue	XVP C6B6W	0.120
		Clear	XVP C6B7W	0.120
		Yellow	XVP C6B8W	0.120
	(0.6 Joules) ~ 120 V	Green	XVP C6G3W	0.115
		Red	XVP C6G4W	0.115
		Orange	XVP C6G5W	0.115
		Blue	XVP C6G6W	0.115
		Clear	XVP C6G7W	0.115
		Yellow	XVP C6G8W	0.115
(0.6 Joules) ~ 230 V	Green	XVP C6M3	0.115	
	Red	XVP C6M4	0.115	
	Orange	XVP C6M5	0.115	
	Blue	XVP C6M6	0.115	
	Clear	XVP C6M7	0.115	
	Yellow	XVP C6M8	0.115	
(0.6 Joules) ~ 230 V	Green	XVP C6M3W	0.115	
	Red	XVP C6M4W	0.115	
	Orange	XVP C6M5W	0.115	
	Blue	XVP C6M6W	0.115	
	Clear	XVP C6M7W	0.115	
	Yellow	XVP C6M8W	0.115	

Beacons and indicator banks

Ø 50 mm indicator banks, type XVP C for customer assembly (up to 5 units)
Audible units, base units and covers

530425



XVP C09●

530426



XVP C09●W

Audible units

Description	Voltage	Colour	Reference	Weight kg
Buzzer, adjustable 55...85 dB at 1 m	≡ 24 V	Black	XVP C09B	0.153
	~ 120 V	Black	XVP C09G	0.153
	~ 230 V	Black	XVP C09M	0.153
	≡ 24 V	Cream	XVP C09BW	0.153
	~ 120 V	Cream	XVP C09GW	0.153
	~ 230 V	Cream	XVP C09MW	0.153

520882-520883



XVP C21

530427-530428



XVP C21W●

Base units + cover

Base units for direct or tube fixing

Description	Colour	Reference	Weight kg
Base unit + cover for bared wires or wires with cable end	Black	XVP C21	0.125
	Cream	XVP C21W	0.125

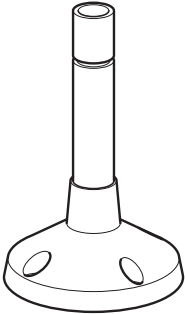
Base unit + cover for eyelet tags	Cream	XVP C21WR	0.125
--------------------------------------	-------	-----------	-------

Beacons and indicator banks

Ø 50 mm indicator banks, type XVP C

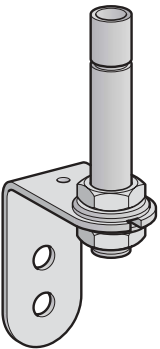
Accessories

530429



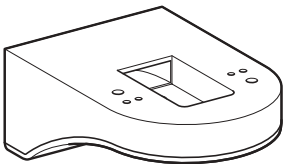
XVP C0●●

530430



XVP C0.T

530431



XVP C12●

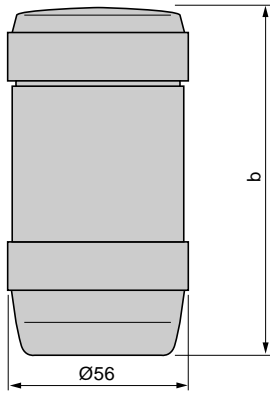
Accessories

Description	Characteristics	Sold in lots of	Unit reference	Weight kg			
Aluminium support tube with integral black fixing base	112 mm	1	XVP C02	0.112			
	260 mm	1	XVP C03	0.173			
	410 mm	1	XVP C04	0.253			
Aluminium support tube with integral cream fixing base	112 mm	1	XVP C02W	0.112			
	260 mm	1	XVP C03W	0.173			
	410 mm	1	XVP C04W	0.253			
Threaded aluminium support tube + stainless steel fixing bracket	100 mm	1	XVP C02T	0.245			
	250 mm	1	XVP C03T	0.306			
	400 mm	1	XVP C04T	0.386			
Black fixing plate for use on vertical support	For mounting XVP C0●● support tubes with integral fixing base	1	XVP C12	0.083			
Cream fixing plate for use on vertical support	For mounting XVP C0●● support tubes with integral fixing base	1	XVP C12W	0.083			
Incandescent bulbs BA 15d base fitting	24 V 4 W	10	DL1-BEBS	0.090			
	120 V 5 W	10	DL1-BEGS	0.090			
	230 V 5 W	10	DL1-BEMS	0.090			
	12 V 7 W	10	DL1-BEJ	0.090			
	24 V 6.5 W	10	DL1-BEB	0.090			
	48 V 6 W	10	DL1-BEE	0.090			
	120 V 7 W	10	DL1-BEG	0.090			
	230 V 7 W	10	DL1-BEM	0.090			
LEDs BA 15d base fitting	~ 24 V	White	1	DL1-BDB1 (1)	0.015		
		Green	1	DL1-BDB3	0.015		
		Red	1	DL1-BDB4	0.015		
		Blue	1	DL1-BDB6	0.015		
		Orange	1	DL1-BDB8	0.015		
	~ 120 V	White	1	DL1-BDG1 (1)	0.015		
		Green	1	DL1-BDG3	0.015		
		Red	1	DL1-BDG4	0.015		
		Blue	1	DL1-BDG6	0.015		
		Orange	1	DL1-BDG8	0.015		
	~ 230 V	White	1	DL1-BDM1 (1)	0.015		
		Green	1	DL1-BDM3	0.015		
		Red	1	DL1-BDM4	0.015		
		Blue	1	DL1-BDM6	0.015		
		Orange	1	DL1-BDM8	0.015		
		Flashing LEDs BA 15d base fitting	~ 24 V	White	1	DL1-BKB1 (1)	0.015
				Green	1	DL1-BKB3	0.015
				Red	1	DL1-BKB4	0.015
	Blue			1	DL1-BKB6	0.015	
	Orange			1	DL1-BKB8	0.015	
	~ 120 V		White	1	DL1-BKG1	0.015	
			Green	1	DL1-BKG3	0.015	
			Red	1	DL1-BKG4	0.015	
			Blue	1	DL1-BKG6	0.015	
Orange			1	DL1-BKG8	0.015		
~ 230 V	White		1	DL1-BKM1	0.015		
	Green		1	DL1-BKM3	0.015		
	Red		1	DL1-BKM4	0.015		
	Blue		1	DL1-BKM6	0.015		
	Orange		1	DL1-BKM8	0.015		
	Bulb mounting and removal – tool			1	XVP CX13	0.015	

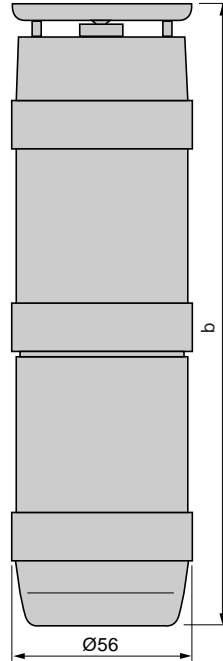
(1) Use LEDs DL1-B●●1 with yellow coloured lens units.

Indicator banks XVP C

Without audible unit



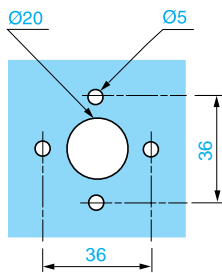
With audible unit



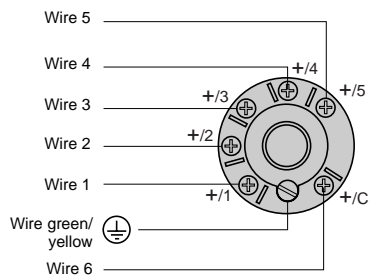
Number of illuminated units	b
1	108
2	170
3	232
4	294
5	356

Number of units: Illuminated + Audible	b
0 + 1	129
1 + 1	194
2 + 1	256
3 + 1	318
4 + 1	380

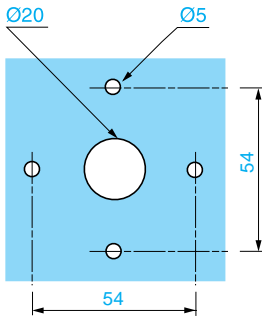
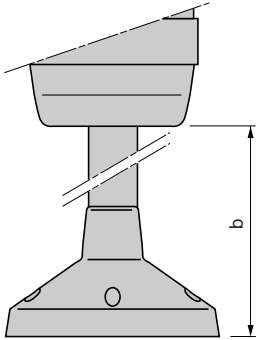
Panel cut-out for direct fixing (on base unit XVP C12●)



Wiring scheme

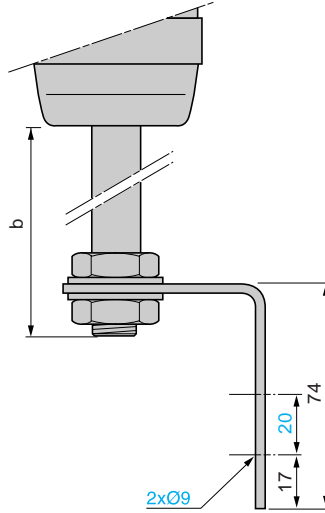


Support tube XVP C0●● with integral fixing base



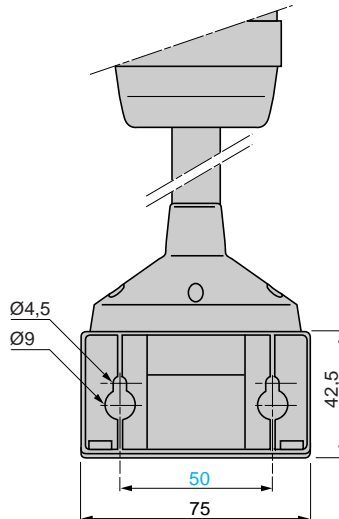
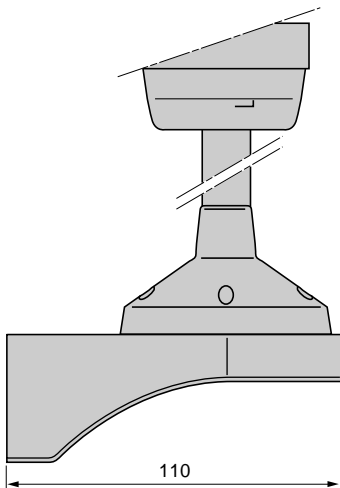
Height under base unit	b
XVP C02●	89
XVP C03●	237
XVP C04●	387

Threaded support tube XVP C0●T with metal fixing bracket



Height under base unit	b
XVP C02T	77
XVP C03T	227
XVP C04T	377

Mounting using wall fixing bracket XVP C12●



Note: support tube XVP C0●● with integral fixing base must be used.