

o Flat Cable Connectors SEK

o har-mik®

o D-Sub

o InduCom

Applications



Product details

09 18 506 5904 IDC male connector

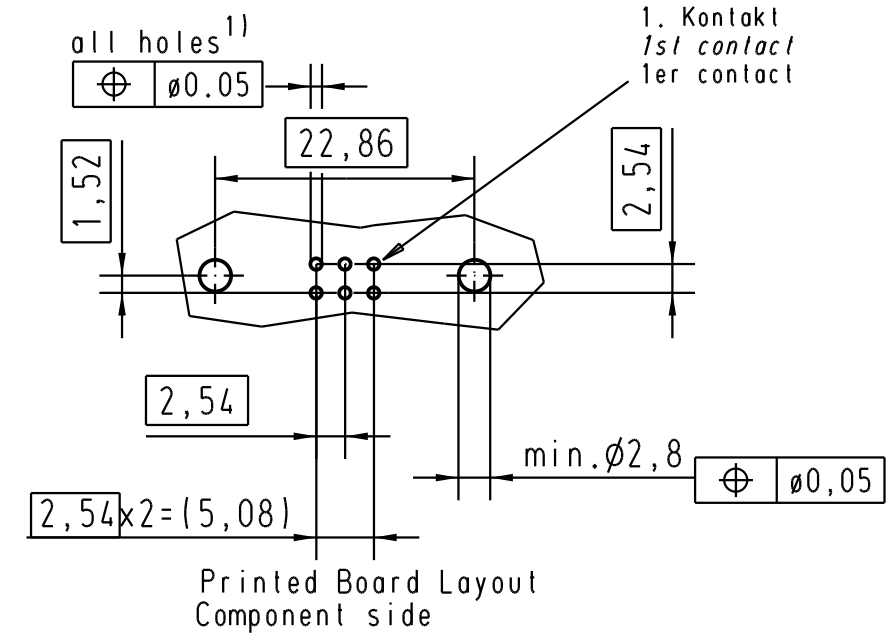
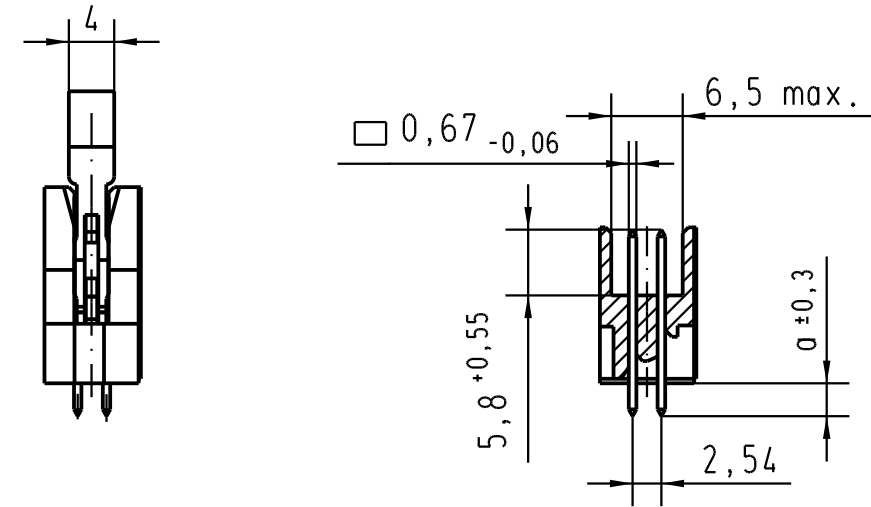
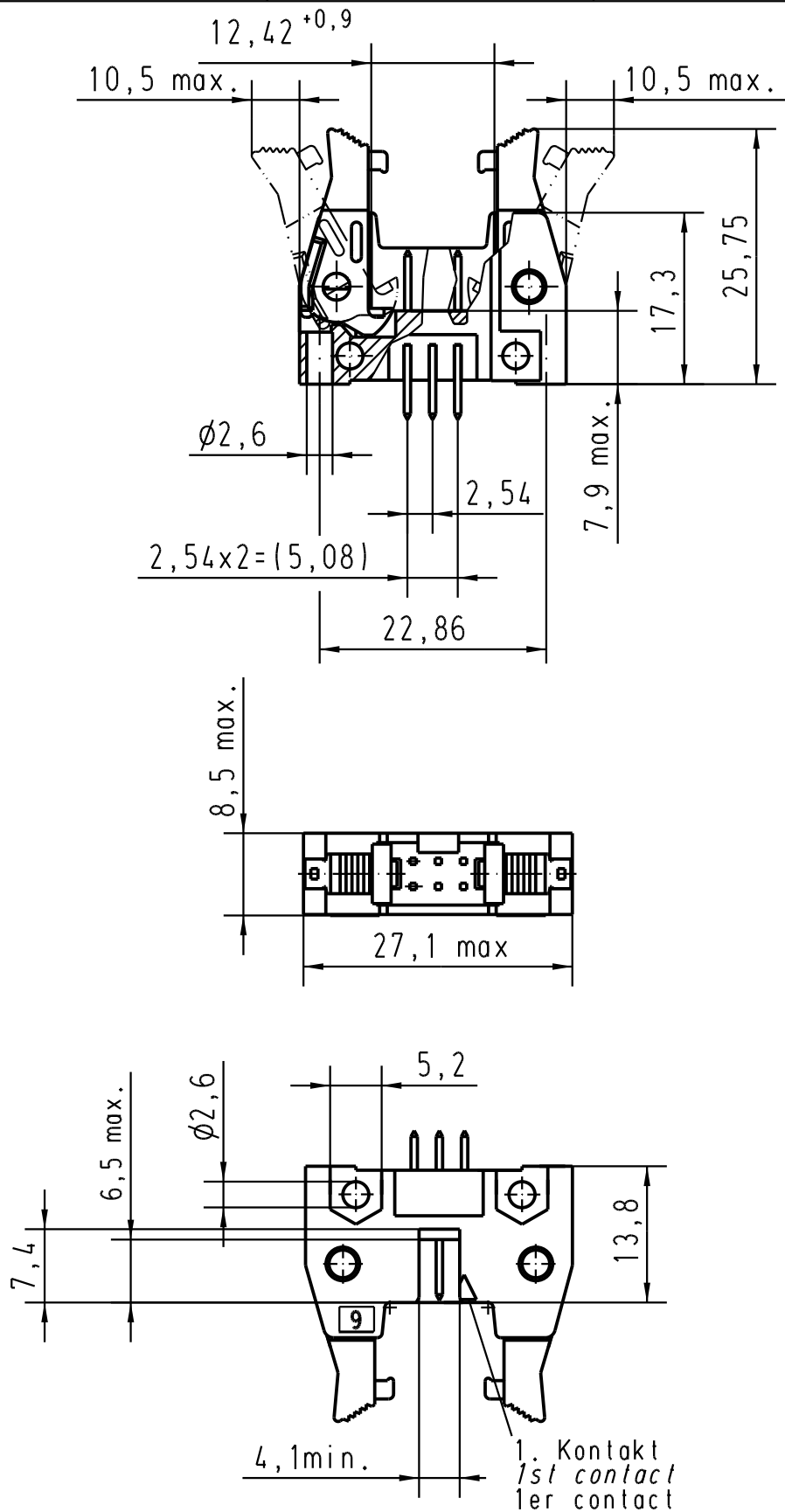
Connector size	6 contacts
Termination	Straight solder pin
Profile	Standard connector
Moulding	Standard Material
Termination length	2.9 mm
Lever	Long levers
P.C.B. retention clip	Without retention clip
Performance level	AU-0.76•m [30•Inch]
RoHS compliant	Yes

Available Downloads

Title	Format	
Data sheet	PDF	download
CAD data 2D	DXF	download
CAD data 3D	IGES	download

Inquiry

Alle Rechte vorbehalten. All rights reserved.



1) Einlötlötstifte passend für Lochungen $\phi 1 \pm 0,1$ nach IEC 60326-3
 Solder pins for PCB connections $\phi 1 \pm 0,1$ as per IEC 60326-3
 A souder pour des trous de $\phi 1 \pm 0,1$ selon IEC 60326-3

09185067902	3	4,5
09185066902	2	4,5
09185065902	0.76 $\mu\text{m Au}$	4,5
09185067904	3	2,9
09185066904	2	2,9
09185065904	0.76 $\mu\text{m Au}$	2,9
Bestell-Nr. Part-No. Reference	Anforderungsstufe performance level Niveau de qualite	a

All Dimensions in mm Original Size DIN A 3			Techn. Character.			Nicht tolerierte Maßel Free size tolerances		
						SEK 18 Male Connector Standard		
			Detail.	Dat.	Name	Maßstab/ Scale 1,5:1	06 poles	
33451	30/03/06	JMDR	Insp.	01-DEC-99	Th		Straight solder pins	
29759	26-MAR-02	CV	Stand.			Long locking levers		
27931	15-JUNE-00	JB	HARTING EURL				TB	0918506x90x
26554	01-DEC-99	JB	F-95972 Paris					
Mod.	Dat.	Name				Sub.	Blatt/ page 1/2	