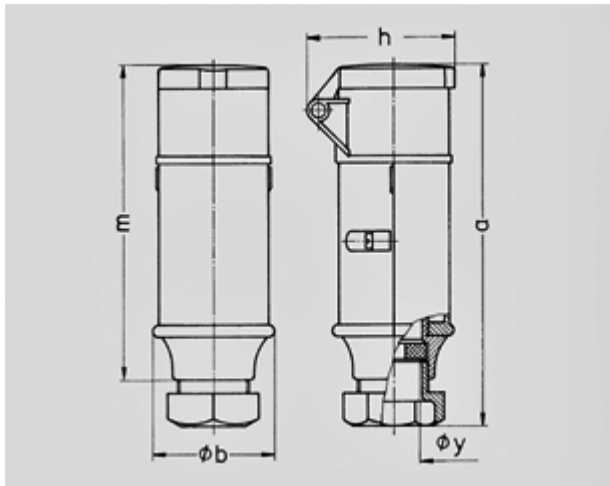


Connector - Part no. 714A


- screw terminals
- with cable gland

Protection type	IP 44
Ampere	16 A
Poles	3p
Voltage	20-25
Hertz	50-60Hz
Earth position	0h
Contact	standard
Connection technology	Screw terminals

Std. Pack. 10 Qty.



Drawing	Amp.	16		32	
		2	3	2	3
3 MB 36	Poles				
Dim. in mm	a	164	164	164	164
	b	55	55	55	55
	h	67	67	67	67
	m	142	142	142	142
	y	24,7	24,7	24,7	24,7
Terminal for cond. cross		4	4	4	4
section (mm ²) min.-max.		-10	-10	-10	-10