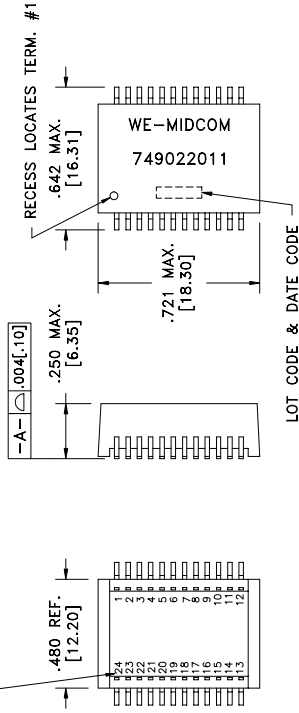
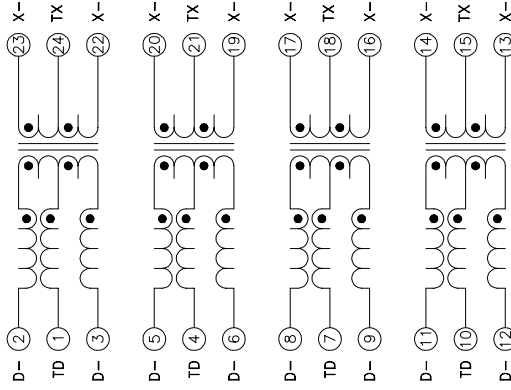
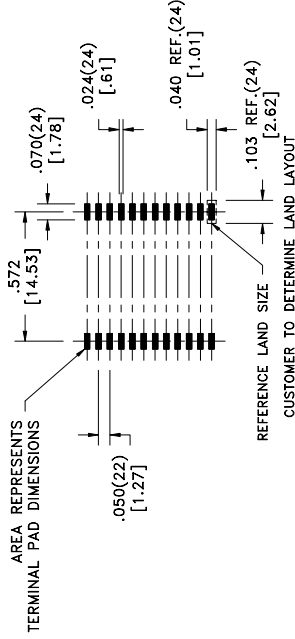


CUSTOMER TERMINAL	RoHS	LEAD(Pb)-FREE
Sn96% Ag4%	Yes	No

TERM. NO.'s FOR REF. ONLY



LOT CODE & DATE CODE



REV.	DATE
6A	2/08

Packaging Specifications

Method: Tape & Reel  
 PKG-0653  
 www.midcom-inc.com

Unless otherwise specified:  
 Tolerances: Fractions: ±1/64  
 Decimals: ±.005[.127]  
 Angles: ±1°

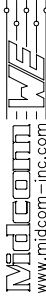
This drawing is dual dimensioned. Dimensions in brackets are in millimeters.

DRAWING TITLE

# TRANSFORMER

eSos p/n: 749022011

DRAWING NO.



## 749022011

REVISIONS: SEE SHEET 1

SCALE ---

SHEET 2 OF 7



### ELECTRICAL SPECIFICATIONS @ 25°C unless otherwise noted:

PARAMETER	TEST CONDITIONS	VALUE
D.C. RESISTANCE	1-2; 4-5; 7-8; 10-11 @25°C	1.000 ohms max.
D.C. RESISTANCE	2-3; 5-6; 8-9; 11-12 @25°C	1.30 ohms max.
D.C. RESISTANCE	13-14; 16-17; 19-20; 22-23 @25°C	0.70 ohms max.
D.C. RESISTANCE	14-15; 17-18; 20-21; 23-24 @25°C	0.50 ohms max.
INDUCTANCE	23-22 100kHz, 100mVAC, 15mADC, Lp	350uH min.
INDUCTANCE	20-19 100kHz, 100mVAC, 15mADC, Lp	350uH min.
INDUCTANCE	17-16 100kHz, 100mVAC, 15mADC, Lp	350uH min.
INDUCTANCE	14-13 100kHz, 100mVAC, 15mADC, Lp	350uH min.
DIELECTRIC	tie(1+4+7+10, 15+18+21+24) 1800Vrms, 1 second	1500Vrms, 1 minute
TURNS RATIO	(2-3):(23-22)	1:1, ±2%
TURNS RATIO	(5-6):(20-19)	1:1, ±2%
TURNS RATIO	(8-9):(17-16)	1:1, ±2%
TURNS RATIO	(11-12):(14-13)	1:1, ±2%
INSERTION LOSS	300k - 100MHz	-1.0dB max.
RETURN LOSS	500kHz - 40MHz	-18dB min.
RETURN LOSS	40M - 60MHz	-15dB min.
RETURN LOSS	60M - 80MHz	-12dB min.
RETURN LOSS	80M - 100MHz	-10dB min.
CROSSTALK	300kHz - 100MHz	-35dB min.
CMRR	300k - 32MHz	-42dB min.
CMRR	32M - 100MHz	-33dB min.

### GENERAL SPECIFICATIONS:

OPERATING TEMPERATURE RANGE: -40°C to +85°C.

COPLANARITY: All 24 terminals must lie on a plane within .004 [ .10] of Surface A after lead tinning.