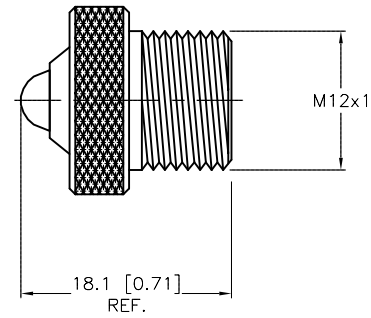
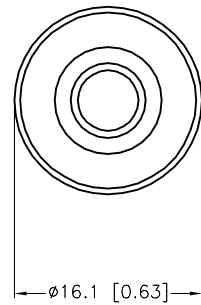


SPECIFICATIONS

CAP MATERIAL/FINISH	STAINLESS STEEL
HARDWARE MATERIAL	STAINLESS STEEL



SOURCE DRAWING - FOR REFERENCE ONLY

RELATED DOCUMENTS				3RD ANGLE PROJECTION 	THIS DRAWING IS CONFIDENTIAL AND THE PROPERTY OF TURCK INC. USE OF THIS DOCUMENT WITHOUT WRITTEN PERMISSION IS PROHIBITED.	<b>TURCK INC</b> High Technology Sensors and Automation Controls 3000 CAMPUS DRIVE MINNEAPOLIS, MN 55441 1-800-544-7769 (763) 553-7300 (763) 553-0708 fax turck.com			
1.	2.	3.	4.			DRFT	JB	DATE	02/10/03
SEE SPECIFICATIONS				ALL DIMENSIONS DISPLAYED ON THIS DRAWING ARE FOR REFERENCE ONLY	DSGN	SCALE	1 = .0	RSV-MC	
FINISH					UNIT OF MEASUREMENT			IDENTIFICATION NO.	REV
SEE SPECIFICATIONS				CONTACT TURCK FOR MORE INFORMATION	MILLIMETER [ INCH ]			U0905-7	B
B DESCRIPTION CHANGE				JB	DO NOT SCALE THIS DRAWING			FILE: U0905-7	SHEET 1 OF 1
REV DESCRIPTION				BY					
				DATE					
				ECO NO.					