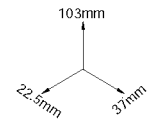


Solid State Relays Accessories Type RHS... Heatsink Assemblies

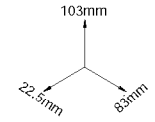


RHS23A and RHS23B
Heatsink assembly with DIN-rail adapter for RX type SSR.
Type RHS23A and RHS23B are a complete kit not including the SSR.

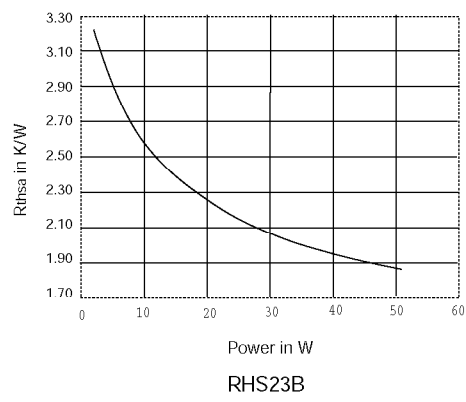
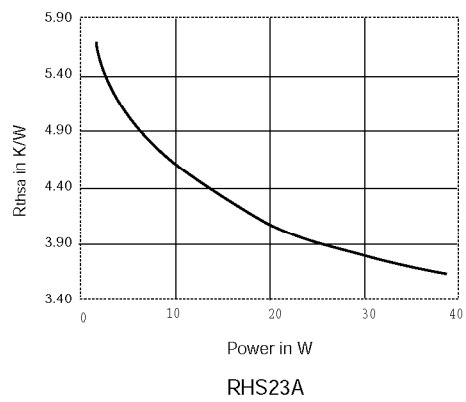
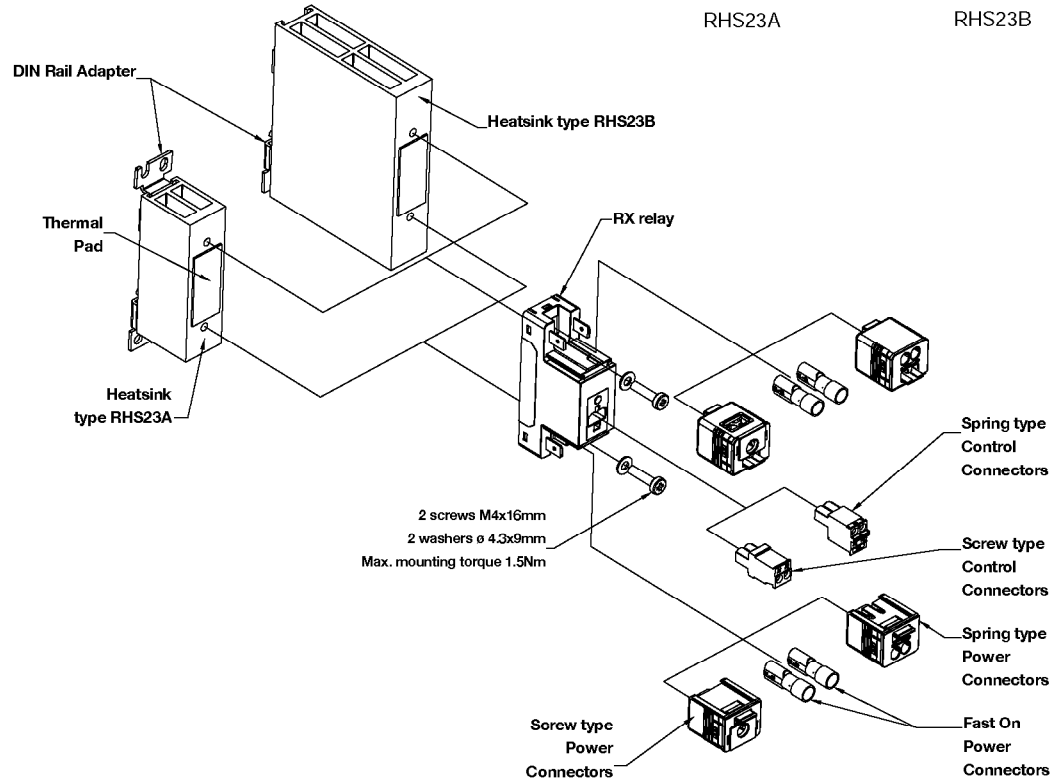
Dimensions not including the SSR



RHS23A



RHS23B





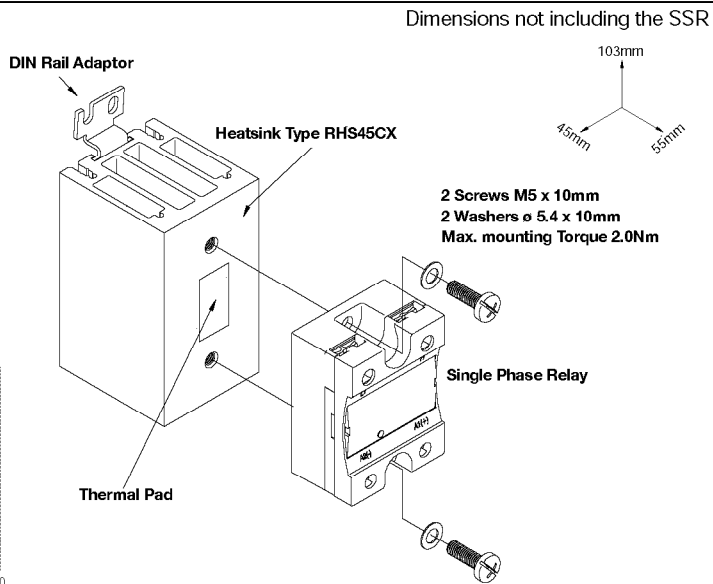
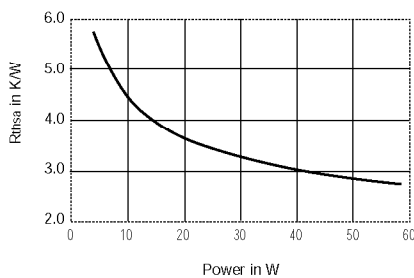
Heatsink Assemblies (cont.)

RHS45C

Heatsink assembly with DIN-rail adapter for 1-phase SSRs. Type RHS45C is a complete heatsink kit not including the SSR. A 40x40 mm fan may be mounted onto the heatsink.

RHS45CD

RHS45C assembly without BBR cover and without heatsink compound.

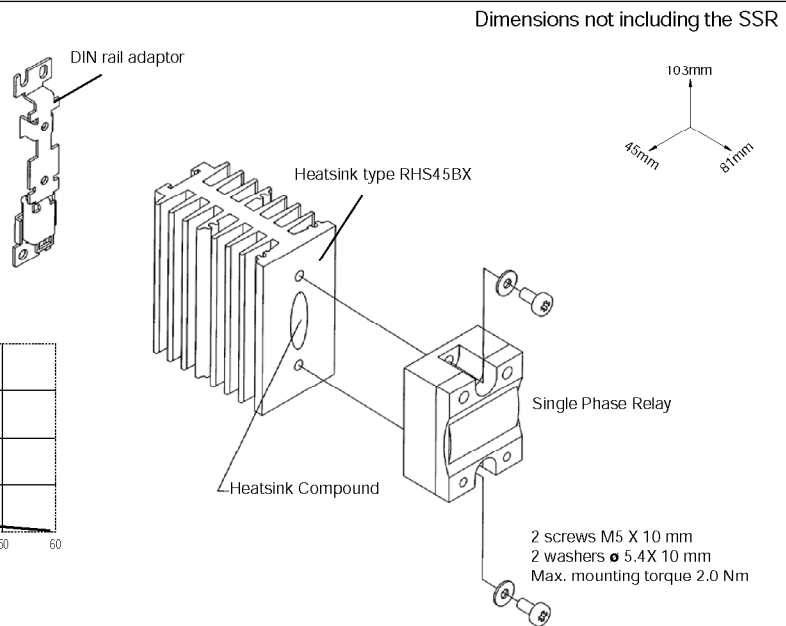
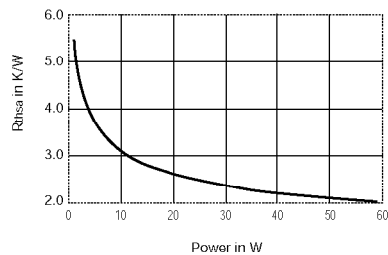


RHS45B

Heatsink assembly with DIN-rail adapter for 1-phase SSRs. Type RHS45B is a complete heatsink kit not including the SSR. A 40x40 mm fan may be mounted on to the heatsink.

RHS45BD

RHS45B assembly without BBR cover and without heatsink compound.



Heatsink Assemblies (cont.)

RHS90A
Heatsink assembly with DIN-rail adapter for 1-phase SSRs. Type RHS90A is a complete heatsink kit not including the SSR. A 60x60 mm fan may be mounted onto the heatsink.

RHS90AD
RHS90A assembly without BBR cover and without heatsink compound.

Dimensions not including the SSR

Power in W	Rthsa in K/W
0	2.8
10	2.0
20	1.7
30	1.55
40	1.45
50	1.4
60	1.35

RHS100
Heatsink assembly with DIN-rail adapter for 1-phase SSRs. Type RHS100 is a complete heatsink kit not including the SSR.

Dimensions not including the SSR

Power in W	Rthsa in K/W
0	5.8
10	4.0
20	3.2
30	2.9



Heatsink Assemblies (cont.)

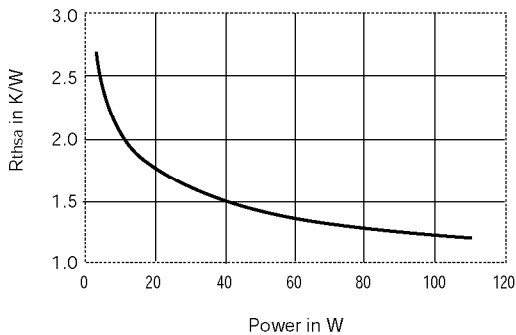
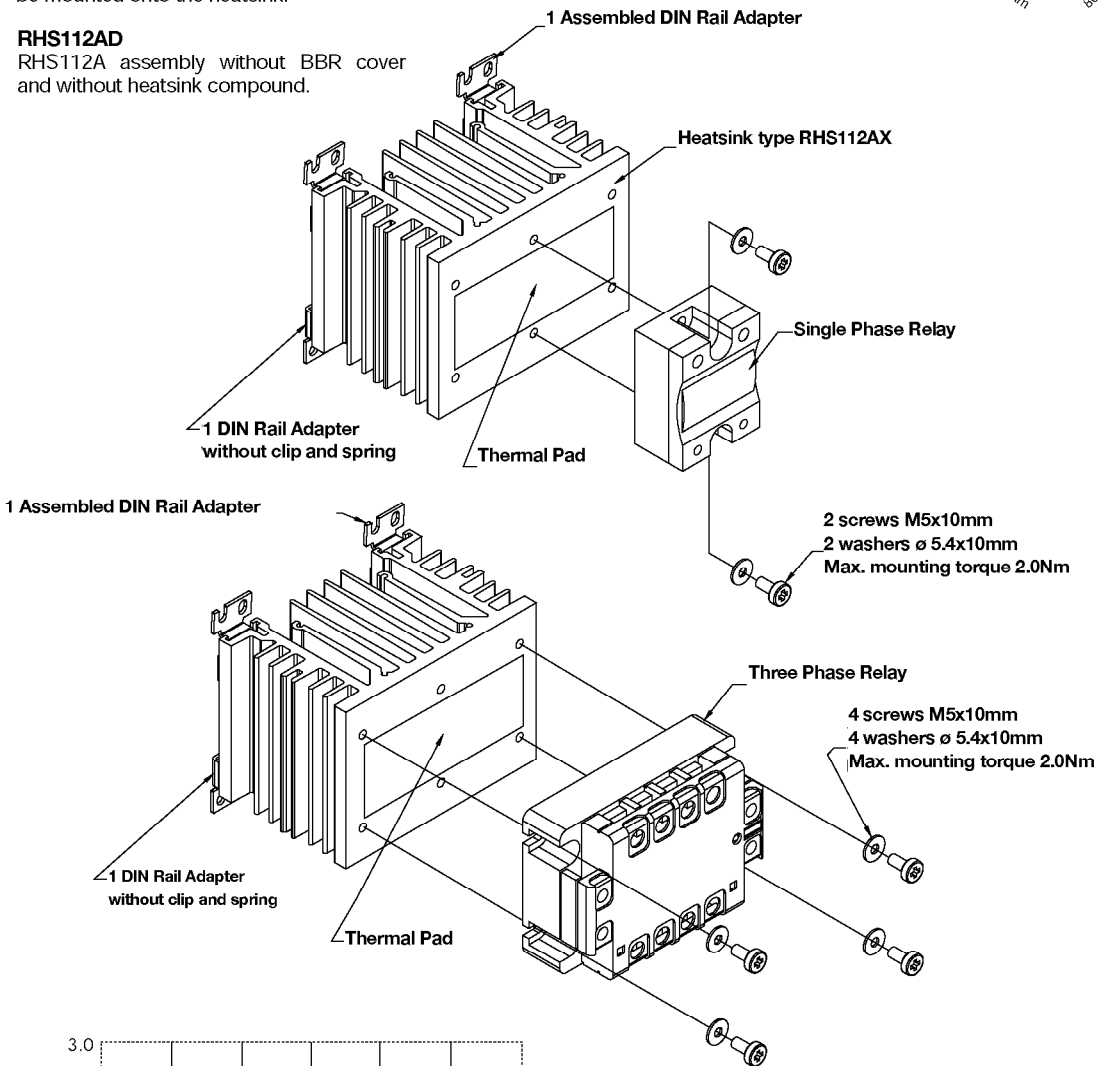
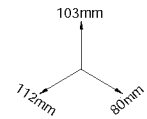
RHS112A

Heatsink assembly with DIN-rail adapter for 1-phase and 3-phase SSRs. Type RHS112A is a complete heatsink kit not including the SSR. A 60x60 mm fan may be mounted onto the heatsink.

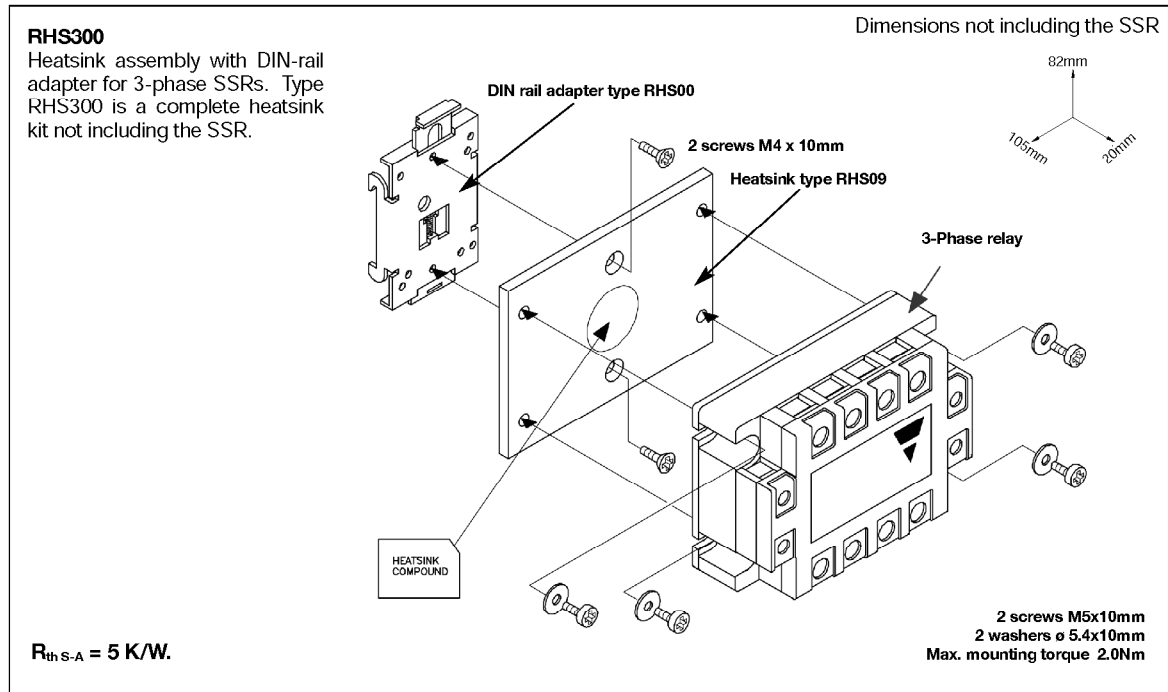
RHS112AD

RHS112A assembly without BBR cover and without heatsink compound.

Dimensions not including the SSR



Heatsink Assemblies (cont.)

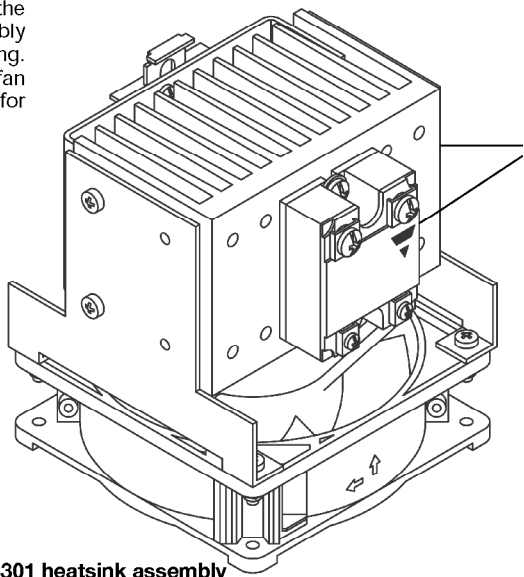




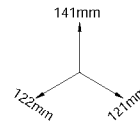
Heatsink Assemblies (cont.)

**Fan Kit RHS301F115,
RHS301F230**

Not including the SSR and the RHS301 heatsink assembly shown on the drawing. RHS301F115 for 115 VAC fan supply and RHS301F230 for 230 VAC fan supply.



Dimensions not including the SSR

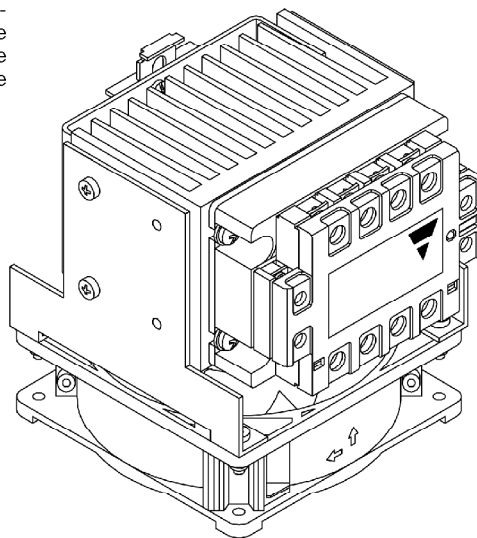


Note:
High-quality fan with full metal bearings.

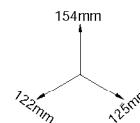
$R_{th\ S-A} = 0.25\ K/W$,
when attached to the RHS301 heatsink assembly

**RHS301F115/230C
(115/230 VAC fan supply)**

Heatsink assembly with DIN-rail adapter for 1-phase or 3-phase SSRs. Type RHS301F...C is a complete heatsink kit not including the SSR.



Dimensions not including the SSR



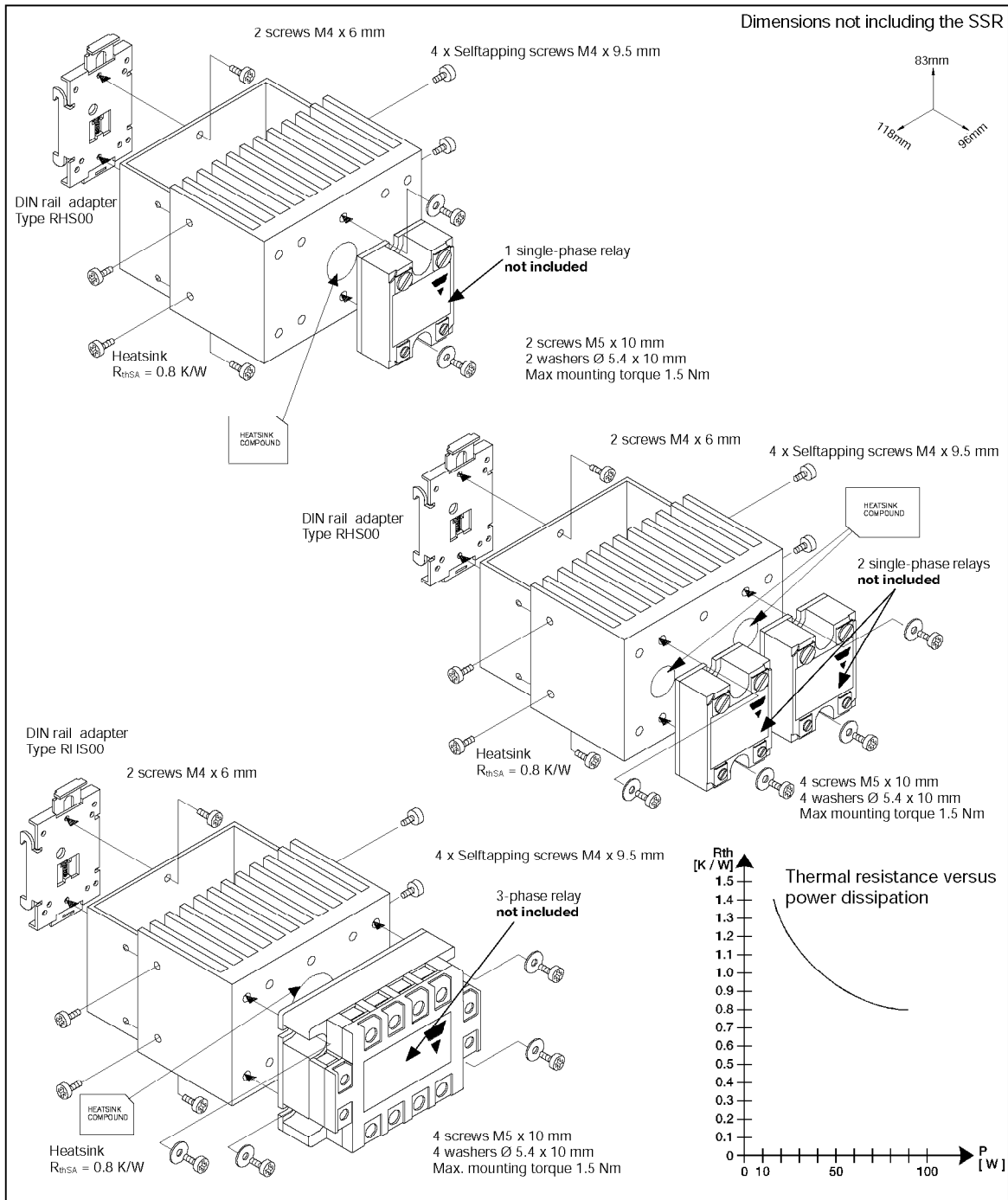
Note:
High-quality fan with full metal bearings.

$R_{th\ S-A} = 0.25\ K/W$.

Heatsink Assemblies (cont.)

Type RHS301

Heatsink assembly for 1-phase and 3-phase SSRs. Type **RHS301D** is an RHS301 assembly without the heatsink compound.





Heatsink Assemblies (cont.)

RHS320

Heatsink assembly with panel mounting brackets for 1-phase and 3-phase SSRs. Type RHS320 is a complete kit not including the SSR.

Dimensions not including the SSR

