

**Ordering number C11506_BROOKE-S**

Family	Brooke-MBH
Type	Reflector
LED	BXRA ES Rectangle
Color	Metal
Diameter	45 mm
Height	19.5 mm
Style	Round
Optic Material	PC
Holder Material	-
Fastening	Socket
Status	Ready

FWHM	24 degrees
Efficiency	(simulated) 0 %
cd/lm	-
Gerber File	Available

This product developed for Molex connector. More information f

**Ordering number C11507_BROOKE-M**

Family	Brooke-MBH
Type	Reflector
LED	BXRA ES Rectangle
Color	Metal
Diameter	45 mm
Height	19.5 mm
Style	Round
Optic Material	PC
Holder Material	-
Fastening	Socket
Status	Ready

FWHM	32 degrees
Efficiency	(simulated) 0 %
cd/lm	-
Gerber File	Available

This product developed for Molex connector. More information f

**Ordering number C11508_BROOKE-W**

Family	Brooke-MBH
Type	Reflector
LED	BXRA ES Rectangle
Color	Metal
Diameter	45 mm
Height	19.5 mm
Style	Round
Optic Material	PC
Holder Material	-
Fastening	Socket
Status	Ready

FWHM	50 degrees
Efficiency	(simulated) 0 %
cd/lm	-
Gerber File	Available

This product developed for Molex connector. More information f

NOTE: The typical divergence will be changed by different color, chip size and chip position tolerance. The typical total divergence is the full angle measured where the luminous intensity is half of the peak value.



PRODUCT DATASHEET
Brooke-MBH series
last update 11/5/2012



GENERAL INFORMATION

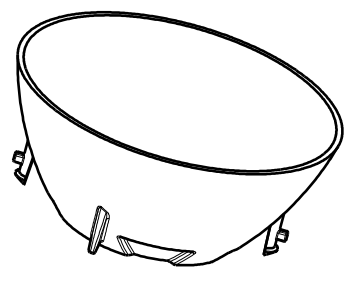
- Product series especially designed & optimized for BXRA ES Rectangle series of LEDs.
- Special care taken to make light distribution as uniform as possible.
- Reflector is made of aluminium coated PC (120 degrees of Celcius / 248 degrees of Fahrenheit) with protective lacquer (110 degrees of Celcius / 230 degrees of Fahrenheit).

D

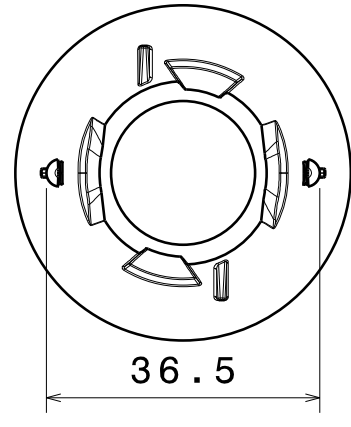
C

B

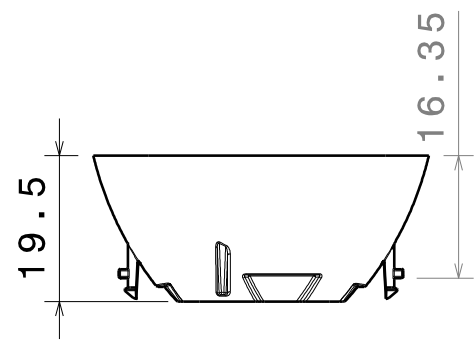
A



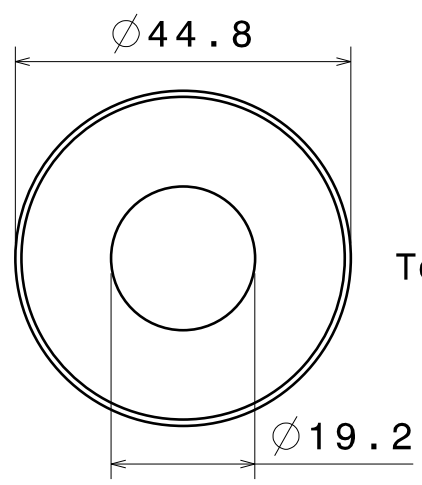
Isometric view



Bottom view



Front view



Top view

Part No.s:
 C11506_Brooke-MBH-S
 C11507_Brooke-MBH-M
 C11508_Brooke-MBH-W

Material: PC with Metal coating
 and clear lacquer

This drawing is our property.
 It can't be reproduced
 or communicated without
 our written agreement.



Ledil Oy
 Tehdaskatu 13
 FIN-24100 SALO
 Finland

DRAWING TITLE
Datasheet Brooke-MBH Ref1

DRAWN BY
 mav

DATE
 27.01.2011

CHECKED BY
 tk

DATE
 27.01.2011

SIZE
A4

DRAWING NUMBER

REV
1

DESIGNED BY
o1

DATE
 01.01.2011

SCALE 1:1 WEIGHT (g)

SHEET 1/1

D

A