


# Housing - HC-B 24-SMQ-67/O2PG21 - 1674189

Please be informed that the data shown in this PDF Document is generated from our Online Catalog. Please find the complete data in the user's documentation. Our General Terms of Use for Downloads are valid (<http://phoenixcontact.com/download>)



Box mounting base, with double locking latch, height: 67 mm, with glands, 2 x Pg21

## Key Commercial Data

Packing unit	10 pc
GTIN	 4 017918 151997
Weight per Piece (excluding packing)	401.97 g
Custom tariff number	85389099
Country of origin	Germany
Note	Made to Order (non-returnable)

## Technical data

### Dimensions

Height	67 mm
Width	57 mm
Length	144 mm

### Ambient conditions

Degree of protection of housing (IP)	IP65 (When plugged in)
Ambient temperature (operation)	-40 °C ... 125 °C

### General

Note	For contact inserts HC-B24, BB46, BBB64, D64, DD108, M
Type	B24
Housing type	Box mounting bases
Locking type	With double locking latch
No. of cable outlets	2
Cable exit	Lateral
Screw connection	none
Type of the screw connection	2x Pg21
Housing material	Aluminum die-cast
Housing surface material	Powder-coated, gray

# Housing - HC-B 24-SMQ-67/O2PG21 - 1674189

## Technical data

### General

Seal material	NBR
Material lock	Stainless steel, handle: PA
Material grip body interlock	PA
Assembly instructions	For half and full screw connections

## Classifications

### eCl@ss

eCl@ss 4.0	27140816
eCl@ss 4.1	27140816
eCl@ss 5.0	27143424
eCl@ss 5.1	27143424
eCl@ss 6.0	27143424
eCl@ss 7.0	27440209
eCl@ss 8.0	27440202

### ETIM

ETIM 2.0	EC000437
ETIM 3.0	EC000437
ETIM 4.0	EC002498
ETIM 5.0	EC000437

### UNSPSC

UNSPSC 6.01	30211817
UNSPSC 7.0901	39121416
UNSPSC 11	43172601
UNSPSC 12.01	39121522
UNSPSC 13.2	39121522

## Approvals

### Approvals

---

Approvals

EAC

---

Ex Approvals

---

Approvals submitted

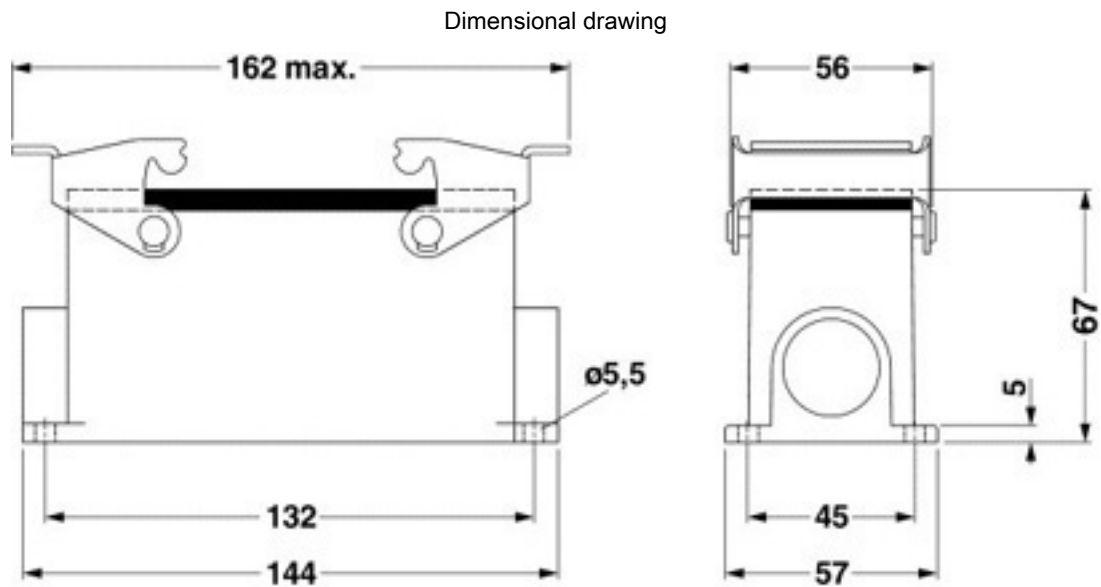
# Housing - HC-B 24-SMQ-67/O2PG21 - 1674189

## Approvals

### Approval details

EAC

## Drawings



Dimensional drawing