

SELEKTA 172 top2

Article number: 1720100

Description



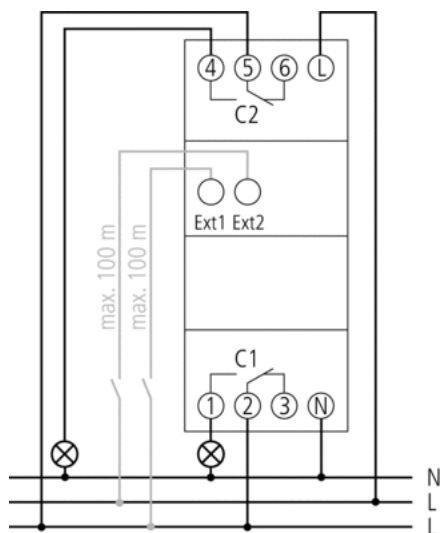
- Astronomical time switch with weekly program
- 2 channels
- 84 memory locations
- Channel 1 or channel 2 can also be used purely as time switch channel
- 2 external control inputs
 - Connectable sensors (external selector switch, sequence timer, staircase light function)
 - Connectable switches (ON or OFF permanent switching, astronomical or special program)
- 3 special programs with yearly date function per channel
 - Fixed public holidays or date ranges and public holidays dependent on Easter
- Astronomical times with other night interruption / fixed ON switching
- permanent ON or OFF switching
- Count-down timer
- Astronomical time switch function (automatic calculation of sunrise and sunset times for the whole year)
 - Offset for adjusting of sunrise and sunset times
 - Position data via coordinates or country/city lists can be programmed
 - Fixed ON-OFF switching times can be programmed (e.g. night time interruption)
 - Simulation of switching times (calculated astronomical times and programmed ON/OFF switching times)
 - Reversible astronomical mode (evenings ON - mornings OFF or evenings OFF - mornings ON) or can be deactivated
- DuoFix spring terminals
 - For 2 conductors each
 - Wire or strand (with or without wire end sleeve)
 - Wire diameter: 0.5 - 2.5 mm²
 - Button for releasing plug-in connection
- Text-oriented user guidance in display
 - Preset date and time
- fully operable without mains connection
- Interface for OBELISK top2 memory card (PC programming)
 - 2. insertable switching program
 - Copying programs
 - Storing programs
- 10 year power reserve (lithium battery)
- Zero-cross switching for relay-saving switching and high lamp loads
- Calculated astronomical switching times
- Programmable ON-OFF switching times
- Switching preselection
- Permanent switching ON/OFF
- Integrated operating hour counter
 - Reset option
 - Service function for monitoring maintenance intervals
- Holiday program
- Display back light (can be turned off)
- PIN coding
- Automatic summer/winter time changeover
 - can be deactivated
 - Date rule options are already stored for Europe, the USA and other countries
 - own date rule options or changeover around set dates are available

Technical data

Operating voltage	230 – 240 V AC
Frequency	50 – 60 Hz
Width	2 modules
Installation type	DIN rail
Type of contact	2 two-way changeover contacts
Switching output	Potential-free and phase-independent
Opening width	< 3 mm (μ)
Program	Weekly program, Astronomical program
Program functions	ON-OFF
Number of channels	2
External inputs	2
Number of memory locations	84

Power reserve	10 years
Switching capacity at 250 V AC, $\cos \varphi = 1$	16 A
Switching capacity at 250 V AC, $\cos \varphi = 0,6$	10 A
Incandescent/halogen lamp load 230 V	2600 W
Energy saving lamps 230 V	22 x 7 W, 18 x 11 W, 16 x 15 W, 16 x 20 W, 14 x 23 W
Fluorescent lamp load (conventional) not corrected	2300 VA
Fluorescent lamp load (conventional) series-corrected	2300 VA
Fluorescent lamp load (conventional) parallel-corrected	730 VA, 80 μ F
Switching capacity min.	ca. 10 mA
Shortest switching times	1 min
Time accuracy	$\leq \pm 0.5$ s/day (quartz)
Time basis	Quartz
Stand-by consumption	0,8 W
Memory card supplied	-
Test approval	VDE
Type of connection	DuoFix spring terminals
Keyboards	4 touch buttons
Housing and insulation material	High-temperature resistant, self-extinguishing thermoplastic
Type of protection	IP 20
Protection class	II as per EN 60 730-1
Ambient temperature	-30 °C ... +55 °C

Connection example



Accessories

Wall mounting kit 35 mm

- Article number: 9070064
[Details ▶ www.theben.de](http://www.theben.de)



PC set OBELISK top2

- Article number: 9070409
[Details ▶ www.theben.de](http://www.theben.de)



Memory card OBELISK top2

- Article number: 9070404
[Details ▶ www.theben.de](http://www.theben.de)



Front panel kit

- Article number: 9070001
[Details ▶ www.theben.de](http://www.theben.de)

