

Datasheet

RS Pro MODBUS Automation

Harness

RS Stock No: 121-3814



General Specification:

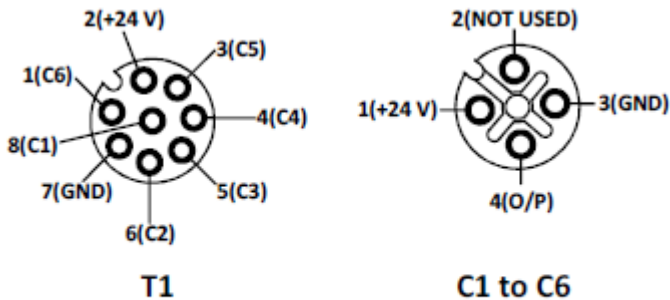
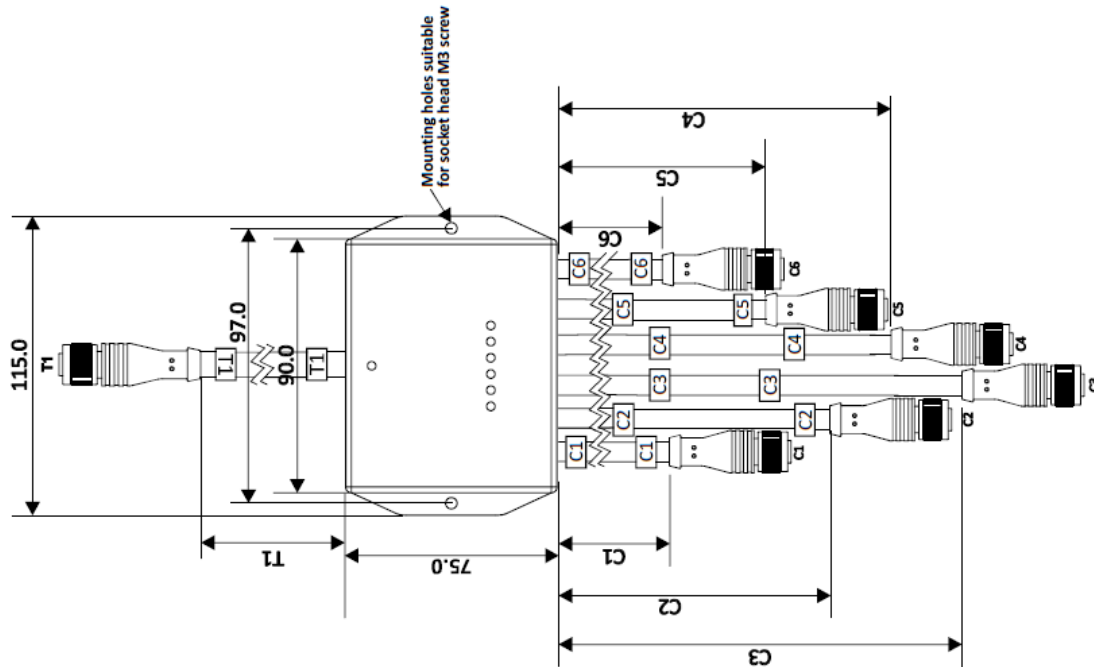
Rated Operational Voltage	30V
Current Rating	200mA (per channel)
Insulation Resistance	$\geq 100\text{M}\Omega$
Temperature Range	-25... +75°C
Degree of Protection	IP67
Number of Channels	6

**Material Specification:**

Grip Material	PU
Contact	Cu-Zn
Contact Plating	Gold Plated
Contact Carrier	Nylon 66
Grip Colour	Black
Coupling Nut	Brass Nickel-Plated
Hub Material	ABS
Hub Dimensions (mm)	115 x 75 x 30

Cable Specification:

Cable Length	Refer Table 1
Cable Type (T1)	8 Core PVC Multi Strand
Cable Type (C1 to C6)	3 Core PVC Multi Strand
Sheath Colour	Black
Cross Section of Wire (T1)	8 x 0.25sq.mm
Cross Section of Wire (C1 to C6)	3 x 0.25sq.mm
Cable Diameter (T1)	6.4 ± 0.1mm
Cable Diameter (C1 to C6)	4.4 ± 0.1mm
Core Diameter (T1)	1.25mm
Core Diameter (C1 to C6)	1.25mm



Pin Assignment
Table 1

Channels	Cable Length	Connector Size	Connector Type	Head Design	No. of Pins
T1	5m	M12	Molded	Straight	8
C1	5m	M12	Molded	Straight	4
C2	5m	M12	Molded	Straight	4
C3	5m	M12	Molded	Straight	4
C4	5m	M12	Molded	Straight	4
C5	5m	M12	Molded	Straight	4
C6	5m	M12	Molded	Straight	4