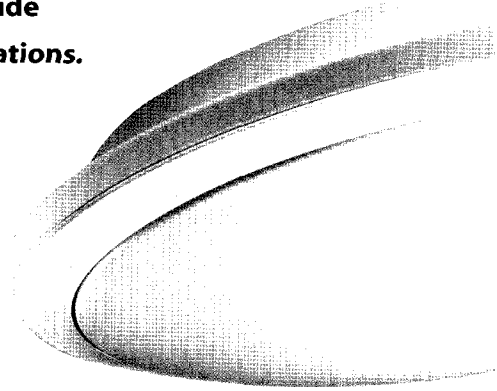
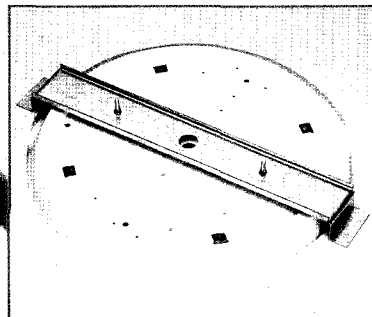


High quality stylish circular fluorescent luminaire suitable for a wide range of applications.

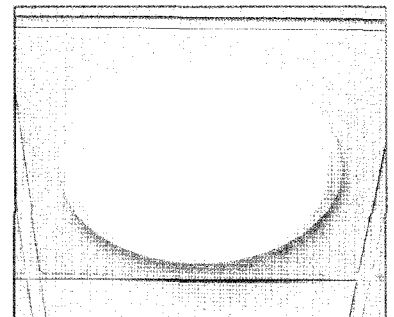


Features

- **Attractive design, slim profile.**
- **Surface or semi-recessed mounting.**
- **Integral three hour maintained emergency versions.**
- **Flame-retardant opal polycarbonate cover.**
- **Suitable for defined escape routes.**
- **Tp(a) cover rating avoids spacing restrictions imposed by building regulations: Fire Safety, when semi-recessed.**
- **Rear light trap avoids light spill when surface mounted.**
- **Supplied complete with lamp.**



Recessing Bracket



Semi-recessed Mounted

FOR SURFACE OR SEMI-RECESSED MOUNTING

Specification

BODY

Manufactured from spun aluminium finished polyester powder coated white with four leaf spring arrangement for securing cover.

CONTROL GEAR

Integral and pre-wired to fused 3-way terminal block (capacity looped 2.5mm² cable).

COVER

Injection moulded fire-retardant opal polycarbonate. Push fit into body.

FIXINGS

Central 20mm entry and two additional 6.5mm diameter holes on stand-offs. Optional kit for semi-recessed mounting.

Emergency Versions

Three hour maintained integral emergency versions available, see range table for details.

Standards

Complies with EN60 598 2-1 (BS 4533:102.1).

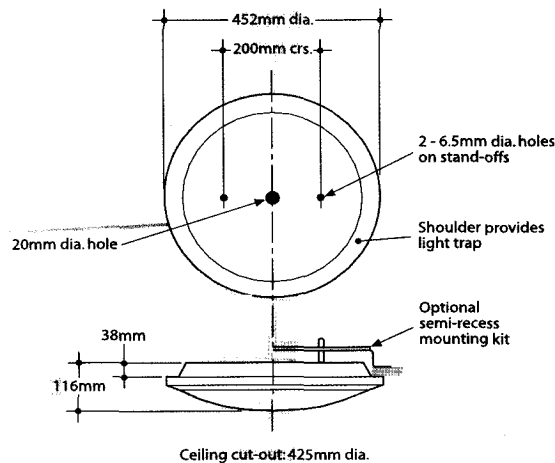
CE ∇ IP20

Voltage

Electronic (E) and Switch start (S): 240V, 50Hz.

High Frequency (J): 220-240V, 50Hz

Other voltages available upon request.



Standard Range

Order by catalogue number and add appropriate suffix for circuit type.

LAMP & WATTS	CATALOGUE NUMBER	MAXIMUM WEIGHT (kg)	CIRCUIT SUFFIX
28W 2D	DOT 9902	2.13	E-J-S
38W 2D	DOT 9903	2.13	E-J-S

Emergency Range

LAMP & WATTS	CATALOGUE NUMBER	MAXIMUM WEIGHT (kg)	CIRCUIT SUFFIX
28W 2D	EDT 9902	2.81	E-J-S
38W 2D	EDT 9903	2.81	E-J-S

CIRCUIT SUFFIX - add after catalogue number to indicate circuit type.

E - electronic start

S - switch start

J - high frequency

e.g. DOT 9902E etc.

Spares and Accessories

DESCRIPTION	CATALOGUE NUMBER
Semi-recess mounting kit	DOT 9917
Spare cover	DOT 9919

Photometric Data

DOT 9902-28W 2D Opal cover

D.L.O.R. 44% U.L.O.R. 0% SHR max 1.51

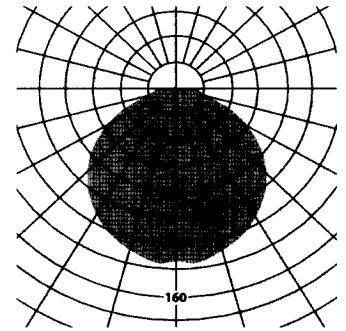
INTENSITY DATA (cd/1000 LUMENS)

ANGLE	MEAN VERTICAL
0	139
5	141
10	139
15	136
20	132
25	127
30	121
35	114
40	106
45	98
50	88
55	78
60	67
65	59
70	45
75	34
80	25
85	17
90	11

UTILISATION FACTORS UF (F)

ROOM REFLECTANCE			ROOM INDEX					SHR. NOM. 1.50				
C	W	F	0.75	1.00	1.25	1.50	2.00	2.50	3.00	4.00	5.00	
.70	.50	.20	0.25	0.29	0.32	0.34	0.38	0.40	0.41	0.43	0.45	
	.30		0.22	0.25	0.29	0.31	0.35	0.37	0.39	0.41	0.43	
	.10		0.19	0.23	0.26	0.29	0.32	0.35	0.37	0.39	0.41	
.50	.50	.20	0.24	0.28	0.31	0.33	0.36	0.38	0.40	0.41	0.43	
	.30		0.21	0.25	0.28	0.30	0.34	0.36	0.38	0.40	0.41	
	.10		0.19	0.22	0.26	0.28	0.32	0.34	0.36	0.38	0.40	
.30	.50	.20	0.24	0.27	0.30	0.32	0.35	0.37	0.38	0.40	0.41	
	.30		0.21	0.24	0.27	0.30	0.33	0.35	0.36	0.38	0.40	
	.10		0.19	0.22	0.25	0.28	0.31	0.33	0.35	0.37	0.39	
.0	.0	.0	0.18	0.21	0.24	0.26	0.29	0.32	0.33	0.35	0.37	

CANDELAS PER 1000 LUMENS



Dot 9903 - 38W 2D correction factor for I, UF and PC=0.99

Manufacturers of industrial and commercial lighting equipment

- fluorescent luminaires ● high-bay and low-bay luminaires
- floodlighting ● amenity and bulkhead lighting
- emergency lighting ● hazardous area luminaires
- uplighters ● downlighters

The information given in this catalogue is typical and must not be interpreted as a guarantee of individual product performance and /or characteristics. We reserve the right to alter specifications and designs without prior notice.

**THORLUX is a Registered Trade Mark of F.W. Thorpe Plc.
DOT is a Trade Mark of F.W. Thorpe Plc.**



A DIVISION OF F.W. THORPE PLC

MERSE ROAD NORTH MOONS MOAT
REDDITCH WORCS B98 9HH ENGLAND

Telephone 01527 583200
e-mail thorlux@thorlux.co.uk
Fax 01527 584177

Direct U.K. Sales Line: 01527 583222

Publication number 1471 Nov. '97



FM10913