

50 OHM COAX SMB ELB PLUG ELB P ✓ ACTIVE

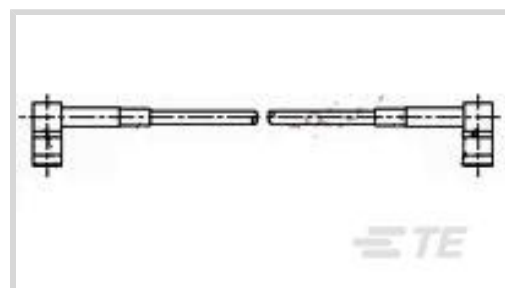
TE Part # 1337817-1

TE Internal #: 1337817-1

[View on TE.com >](#)



Cable Assemblies > RF Cable Assemblies



Cable Assembly Type: RF Coax Cable Assembly

Connector Impedance: 50 Ω

Features

Product Type Features

Coaxial Cable Type	174
Product Type	Cable Assembly
Cable Assembly Type	RF Coax Cable Assembly

Configuration Features

Number of Connectorized Ends	2
------------------------------	---

Electrical Characteristics

Connector Impedance	50 Ω
---------------------	------

Body Features

Body Plating	Gold
--------------	------

Contact Features

Center Contact Plating	Gold
------------------------	------

Product Compliance

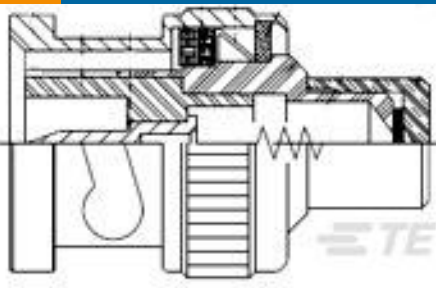
[For compliance documentation, visit the product page on TE.com>](#)

EU RoHS Directive 2011/65/EU	Compliant with Exemptions
EU ELV Directive 2000/53/EC	Compliant with Exemptions
China RoHS 2 Directive MIIT Order No 32, 2016	Restricted Materials Above Threshold
EU REACH Regulation (EC) No. 1907/2006	ECHAによる現在の候補リスト: 2019年1月(197) 候補リストの表記: 2016年6月(169)
Halogen Content	Not Low Halogen - contains Br or Cl > 900 ppm.
Solder Process Capability	Not applicable for solder process capability

Product Compliance Disclaimer

This information is provided based on reasonable inquiry of our suppliers and represents our current actual knowledge based on the information they provided. This information is subject to change. The part numbers that TE has identified as EU RoHS compliant have a maximum concentration of 0.1% by weight in homogenous materials for lead, hexavalent chromium, mercury, PBB, PBDE, DBP, BBP, DEHP, DIBP, and 0.01% for cadmium, or qualify for an exemption to these limits as defined in the Annexes of Directive 2011/65/EU (RoHS2). Finished electrical and electronic equipment products will be CE marked as required by Directive 2011/65/EU. Components may not be CE marked. Additionally, the part numbers that TE has identified as EU ELV compliant have a maximum concentration of 0.1% by weight in homogenous materials for lead, hexavalent chromium, and mercury, and 0.01% for cadmium, or qualify for an exemption to these limits as defined in the Annexes of Directive 2000/53/EC (ELV). Regarding the REACH Regulations, TE's information on SVHC in articles for this part number is still based on the European Chemical Agency (ECHA) 'Guidance on requirements for substances in articles' (Version: 2, April 2011), applying the 0.1% weight on weight concentration threshold at the finished product level. TE is aware of the European Court of Justice ruling of September 10th, 2015 also known as O5A (Once An Article Always An Article) stating that, in case of 'complex object', the threshold for a SVHC must be applied to both the product as a whole and simultaneously to each of the articles forming part of its composition. TE has evaluated this ruling based on the new ECHA "Guidance on requirements for substances in articles" (June 2017, version 4.0) and will be updating its statements accordingly.

Customers Also Bought



TE Part #1-1337463-0
BNC Plg Term 50Ohm
Silver Pltd



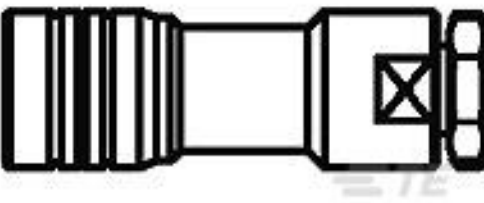
TE Part #1055047-1
2087 1230 02



TE Part #1337815-2
50 OHM COAX SMB STR
PLUG STR P



TE Part #1337817-2
50 OHM COAX SMB ELB
PLUG ELB P



TE Part #1-1337475-0
SMB Str Plg PS 50Ohm
Gold Pltd RG174A/U,



TE Part #1-1337480-0
SMB FM BHSkt 50Ohm
Gold Pltd



TE Part #1-1478046-0
BNC BH Adp JJ 50Ohm
Silver Plt



TE Part #1-1478966-0
SMA B/HD SKT RCPT GSS



TE Part #1337814-1
50 OHM COAX SMB STR
PLUG STR P



TE Part #1625873-1
RS 0402 5% RESISTOR KIT