

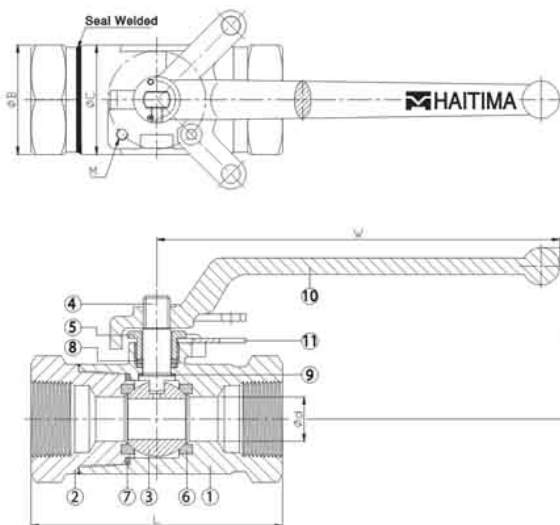
Datasheet

High Pressure Ball Valve 2007W36



FEATURES

1. 1/4~2" (DN8-DN50)
2. W. P.: 3600 WOG(PN250)
3. W. T.: -20°C ~260°C (-4℉~500℉)
4. Investment casting
5. Blow-out proof stem
6. Anti-Static Device (option)
7. Locking device
8. ISO 5211 Mounting pad
9. Seal welded ends
10. ASME B16.34 Wall thickness
11. NACE MR0175
12. API 607 Fire safe approved
13. Thread type: ASME B1.20.1 (NPT) DIN2999 & BS21 ISO7/1 & EN10226



ITEM	PARTS	MATERIAL
1	BODY	ASTM A351- ASTM A216-
2	CAP	CF8M WCB
3	BALL	ASTM A351-CF8M
4	STEM	ASTM A276-316
5	GLAND NUT	AISI 304
6	SEAT	PEEK
7	SEAL	GRAPHITE
8	PACKING	
9	THRUST WASHER	CTFE
10	HANDLE	AISI 304
11	LOCKING PAD	

DN	L	H	W	d	B	C	ISO 5211	M	Torque (N-m)	Weight (kg)
8 F	76.2	56.6	142	6.35	32	39	F03	M5*P0.8	9.5	0.7
15 F	101.6	56.6	142	12.7	32	39	F03	M5*P0.8	9.5	0.8
20 F	108	76.1	173	19	47	47	F04	M5*P0.8	28	1.3
25 S	108	76.1	173	19	47	47	F04	M5*P0.8	28	1.3
40 F	134	117	247.5	38.1	77	86	F07	M8*P1.25	53	4.9
50 S	158.1	117	247.5	38.1	82	86	F07	M8*P1.25	53	5.4

F: Full Port S: Standard Port

unit:mm

NPS	L	H	W	d	B	C	ISO 5211	M	Torque (in-lb)	Weight (lb)
1/4" F	3	2.23	5.59	0.25	1.26	1.54	F03	M5*P0.8	84.1	1.5
1/2" F	4	2.23	5.59	0.5	1.26	1.54	F03	M5*P0.8	84.1	1.7
3/4" F	4.25	3	6.81	0.75	1.85	1.85	F04	M5*P0.8	247.8	3
1" S	4.25	3	6.81	0.75	1.85	1.85	F04	M5*P0.8	247.8	2.8
1-1/2" F	5.28	4.61	9.74	1.5	3.03	3.39	F07	M8*P1.25	469.1	10.8
2" S	6.22	4.61	9.74	1.5	3.23	3.39	F07	M8*P1.25	469.1	11.8

F: Full Port S: Standard Port

unit:in