

Product Information



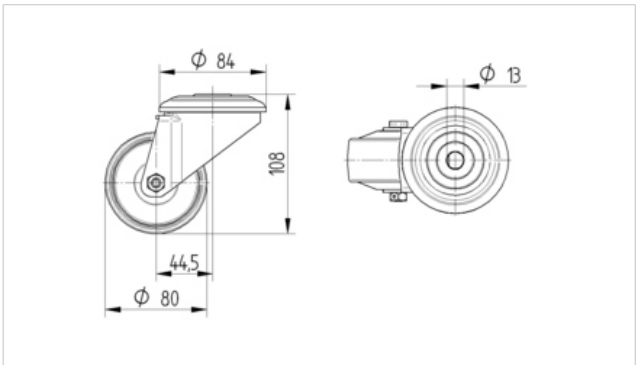
3470UOO080P30-13

EAN 4031582304640

Swivel castor, housing made of pressed steel, bright zinc plated, blue passivated, double ball bearing swivel head, wheel axle with nut, bolt hole.

Wheel centre made of Polyamide, plain bearing

Technical Data	
Wheel diameter	80 mm
Width of Tread	34 mm
Centre hole	13 mm
Offset	44.5 mm
Swivel Interference	169 mm
Overall height	108 mm
Temperature	- 20 / + 60 °C
Standard	EN 12532
Weight	0.693 kg
Swivel Radius	84.5 mm
Hardness of tread	D 75 Shore
Load capacity	150 kg
Load capacity (static)	300 kg



Roll performance	+	+	+	+	+
Movement noise	+	+	+	+	+
Attrition	+	+	+	+	+
Corrosion resistance	+	+	+	+	+

Product Information



3470UOO080P30-13

EAN 4031582304640

