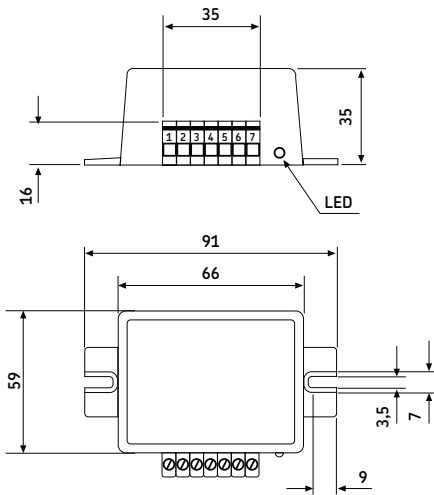


Control units

CAED



Benefits

- Compact ON/OFF control unit
- Supply voltage 24 VDC
- Output voltage 24 VDC
- Electronic overload protection, factory pre-set at 3 A, 5 A or 9 A
- LED indication for overload cut out
- Easy installation, all connections made at front screw terminal

Selection

Fits SKF 24 VDC actuators with a current draw below 9 A. Select cut out level according to respective actuators performance diagram i.e. the current draw at desired load limit.

Technical data

Current draw at rest:	<3 mA
Protection class:	IP31
Temp. range:	0 to +50 °C
Supply voltage:	24 VDC
Output voltage:	24 VDC
EMC compliance:	EN 50 081-1 EN 50 082-1 EN 60 601-1-2

Type	Control	Max. motor connections	Input	Output
		n°	VDC	V/A
3-24R	Basic functions	1	24	24/3
5-24R	Basic functions	1	24	24/5
9-24R	Basic functions	1	24	24/9

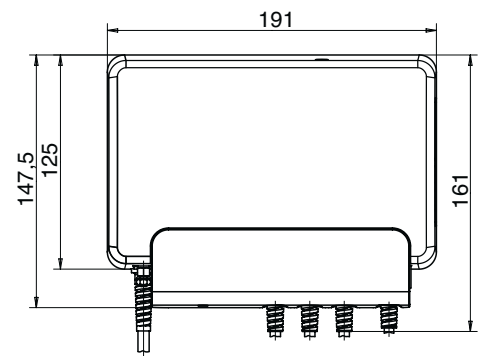
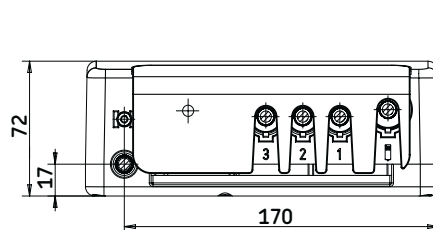
Type code:

CAED 3-24R

CAED 5-24R

CAED 9-24R

BCU



Type	Control	Max. motor connections	Input	Output
		n°	VAC	V/A
BCU 53	Basic functions	3	120	24/7
BCU 83	Basic functions	3	230	24/7

BCU

Type	BCU	3	3	00	00	00
Voltage: 120 VAC 50/60 Hz (Class I) 230 VAC 50 Hz (Class II)	5 8					
Number of channels: 3 channels		3				
Mains power supply cable: Class II, straight, 3,5 m, 2-pole plug, EU (for voltage type 8) Class II, straight, 3,5 m, 2-pole plug, UK (for voltage type 8) Class I, straight, 3,5 m, 3-pole plug, Hospital grade (for voltage type 5)			2J 2H 2N			
Colour/Design: Grey						3
Option 1: DIN 8 motor plug and HD15 operating device plug						1

BCU parameterization	BCP	000	00
Functionality: All channels individual Channel 2+1 All channels simultaneously Trendelenburg	11 21 30 T1		
Motors: A CALA36A, ECO30, ECO50 3,7 A C CARE33A, TLT10, TXG10 (EXG) 4,7 A E TFG, ECO70, ECO90, CAT33, CAT32B 5,7 A M MAX, TLG, THG 6,7 A R R20, R21, R22, MD22, MD23 8,5 A	Actuator 1 - Actuator 2 - Actuator 3 -		
Soft start/stop: Hard, start 0 ms, stop 0 ms Medium, start 400 ms, stop 200 ms			0 3
Options: None			0