


Ordering number CA13119_STRADA-SQ-A-T

Family	Strada-SQ	FWHM	Asym degrees
Type	Assembly	Efficiency	92 %
LED	LUXEON T	cd/lm	0.900
Color	Clear	Gerber File	Available
Diameter	25 + 25 mm		
Height	9.1 mm		
Style	Square		
Optic Material	PMMA		
Holder Material	-		
Fastening	Screw, pin, tape		
Status	On production		


Ordering number CA12891_STRADA-SQ-VSM

Family	Strada-SQ	FWHM	145 degrees
Type	Assembly	Efficiency	92 %
LED	LUXEON T	cd/lm	0.700
Color	Clear	Gerber File	Available
Diameter	25 x 25 mm		
Height	6.95 mm		
Style	Square		
Optic Material	PMMA		
Holder Material	-		
Fastening	Screw, pin, tape		
Status	On production		

NOTE: The typical divergence will be changed by different color, chip size and chip position tolerance. The typical total divergence is the full angle measured where the luminous intensity is half of the peak value.



PRODUCT DATASHEET Strada-SQ series

last update 3/10/2013

PHILIPS
LUMILEDS

GENERAL INFORMATION

- Product series especially designed & optimized for LUXEON T series of LEDs.
- Special care taken to make light distribution as uniform as possible.
- Lens material optical grade PMMA with high UV and temperature resistance. Allows use of high current and temperature conditions.

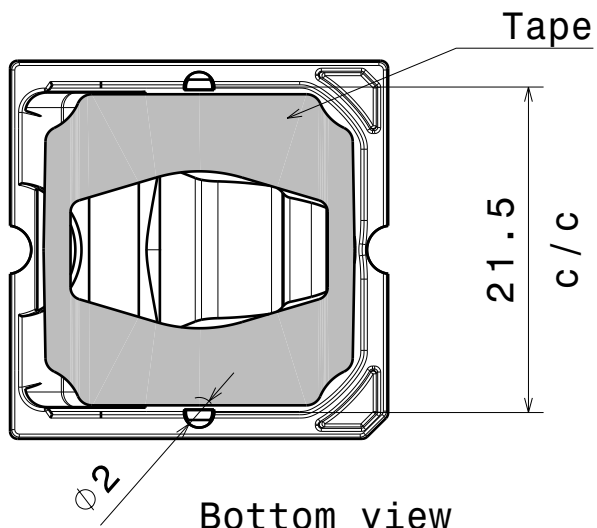
Please find more information about used material from below:

http://ledil.fi/sites/default/files/Documents/Technical/Material/PMMA%20N%20UL94_Yellow%20Card.pdf

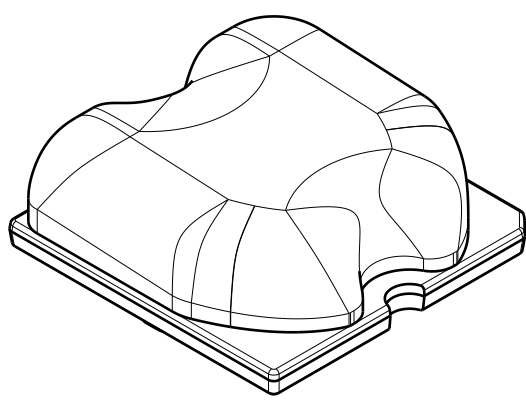
<http://ledil.fi/sites/default/files/Documents/Technical/Material/PMMA%20N%20PLEXIGLAS-Datasheet.pdf>

D C B A

4

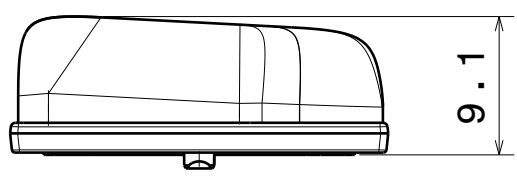


Bottom view

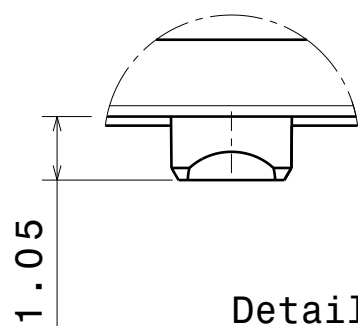


Isometric view

3

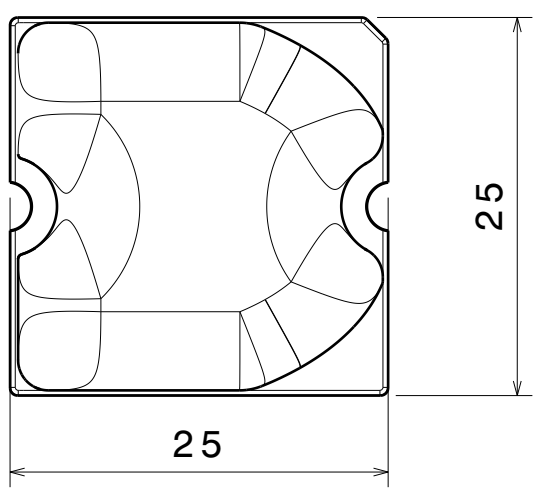


Front view



Detail A

2



Top view

Tolerances if not otherwise shown:
According to DIN ISO 2768-1
Linear measures:
Up to 30mm class F, otherwise class M.

According to DIN ISO 2768-2
Form and position:
class K

Control for SPC marked dimensions.

4

3

2

1

This drawing is our property.
It can't be reproduced
or communicated without
our written agreement.

LEDiL LediL Oy
Salorankatu 10
FIN 24240 SALO
Finland

DRAWING TITLE Mechanical drawing

DRAWN BY
as

DATE
25.9.2012

STRADA-SQ-A-T

CHECKED BY
VS

DATE
-

SIZE
A4

PART NUMBER

REV
001

DESIGNED BY
-

DATE
-

SCALE 2:1

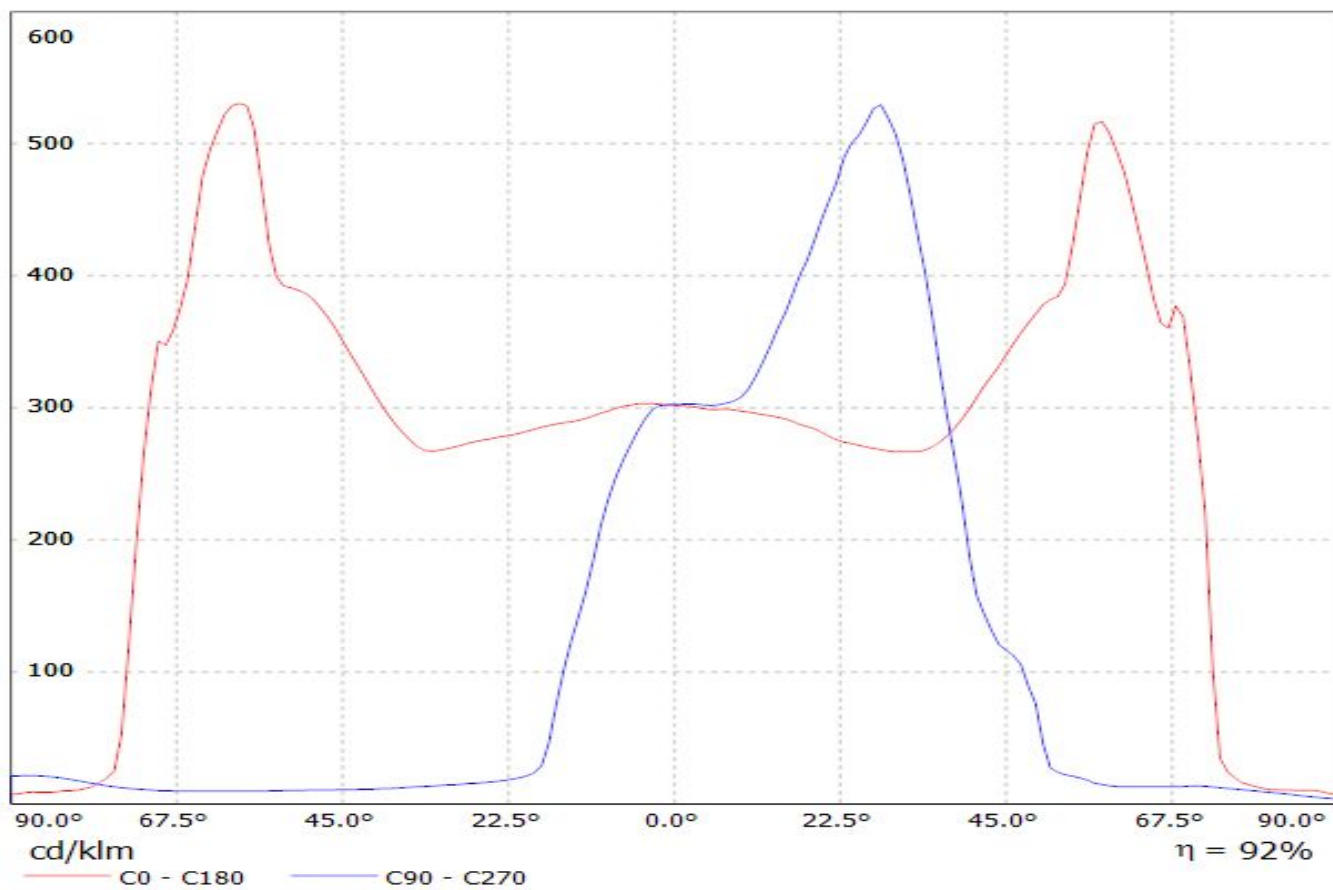
WEIGHT 4,80 g

SHEET 1/1

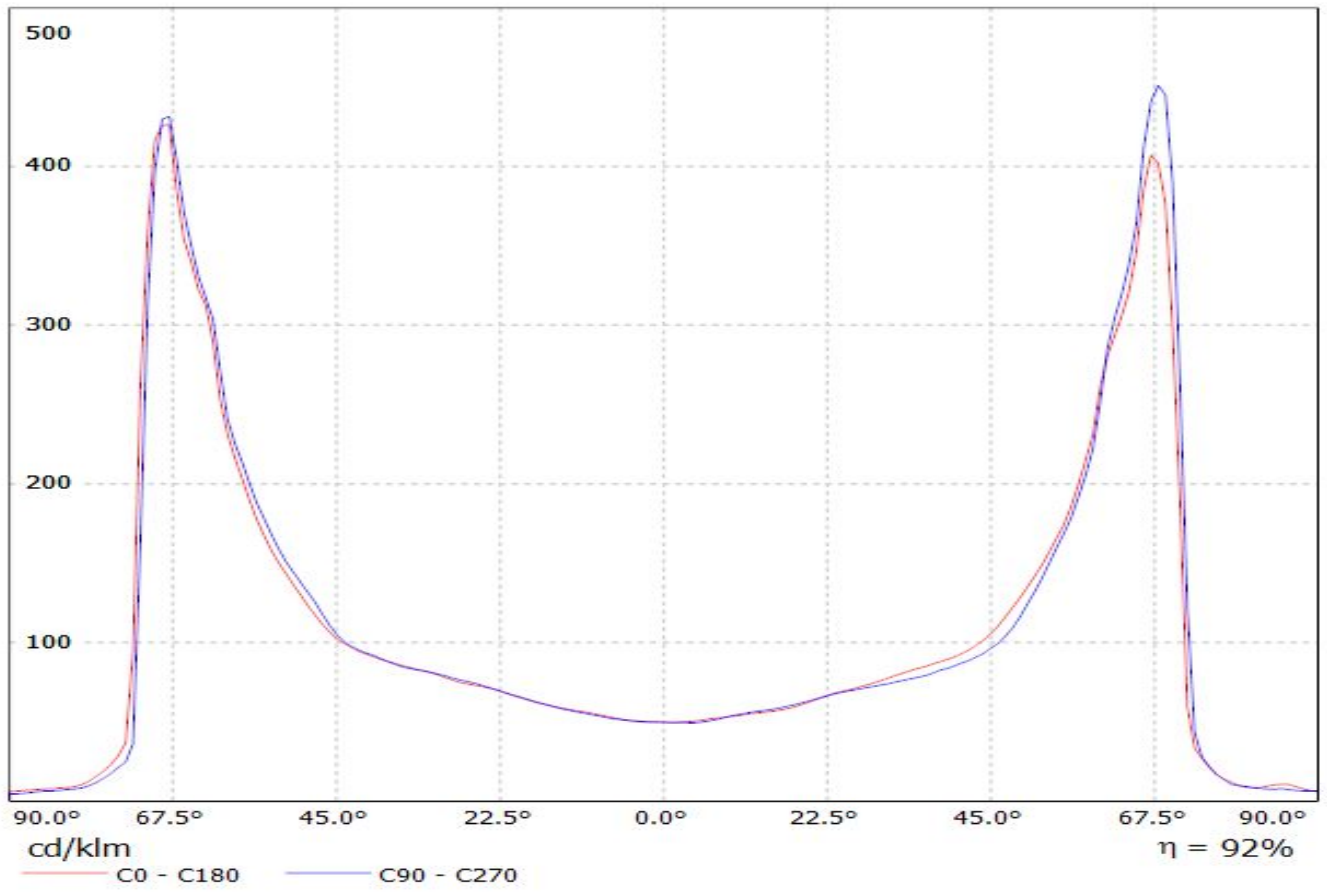
D A

1

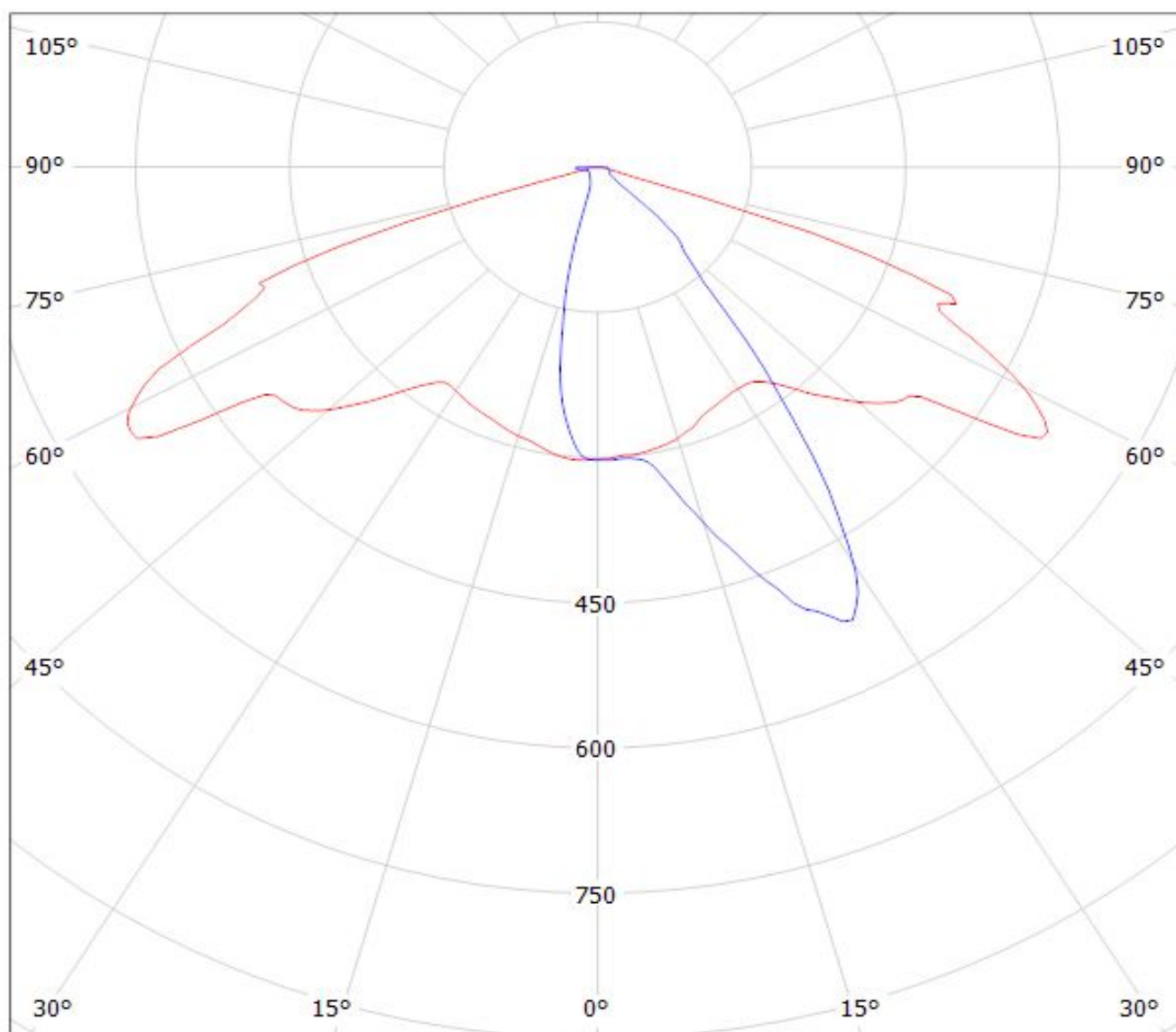
Luminaire: LEDiL Oy CA13119_STRADA-SQ-AT_(LUXEON_T)_2 Eff.92.3%
Lamps: 1 x LUXEON_T (74lm@250mA)



Luminaire: LEDiL Oy CA12891_STRADA-SQ-VSM_(LUXEON_T) Eff.92.4%
Lamps: 1 x LUXEON T (74lm@250mA)



Luminaire: LEDiL Oy CA13119_STRADA-SQ-AT_(LUXEON_T)_2 Eff.92.3%
Lamps: 1 x LUXEON_T (74lm@250mA)



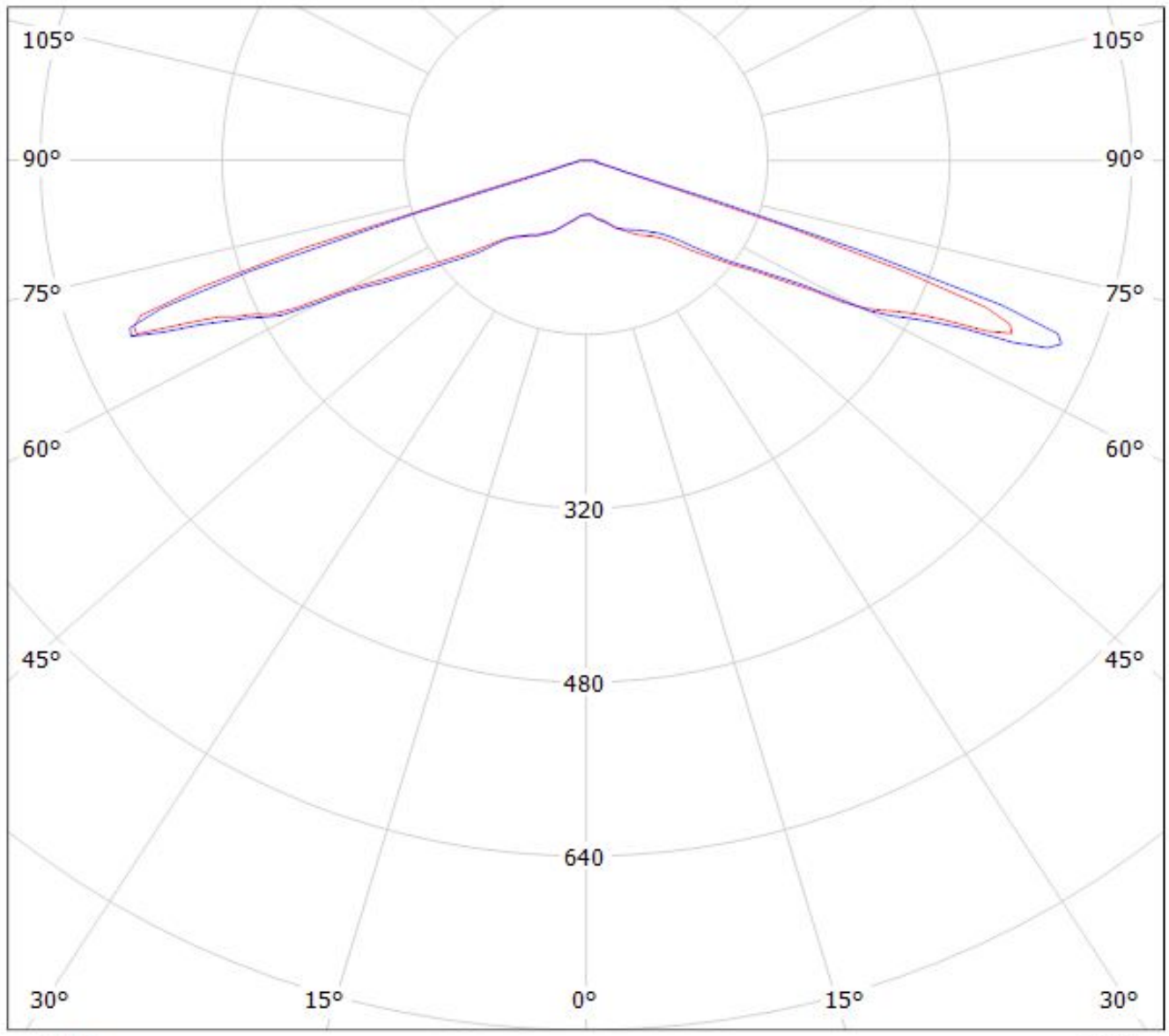
cd/klm

$\eta = 92\%$

— C0 - C180

— C90 - C270

Luminaire: LEDiL Oy CA12891_STRADA-SQ-VSM_(LUXEON_T) Eff.92.4%
Lamps: 1 x LUXEON T (74lm@250mA)



cd/klm

— C0 - C180 — C90 - C270

$\eta = 92\%$