



Syrex LC and XN

- High sound output (115dB) for areas of high background noise
- Low current consumption
- Weatherproof to IP65
- Low voltage DC and high voltage AC for use in all applications
- Volume control for greater flexibility
- Multi purpose base with a variety of cable entries and fixing holes for easy installation
- Choice of colours

The Syrex LC is a high output, low current consumption sounder designed for fire alarm and industrial use.

Weatherproof to IP65 and with a sound output of up to 115dB, it can be used in almost any location to provide an effective alarm.

The Syrex LC XN range includes a powerful xenon beacon to provide both audible and visual alarms where required.

With a wide choice of voltages including 110/230V AC, the Syrex LC is equally suited for use in both fire alarm and industrial applications.

Applications

- Fire alarm
- Security
- Conveyors
- Cranes
- Moving machinery
- Process control alarm

Fire ✓

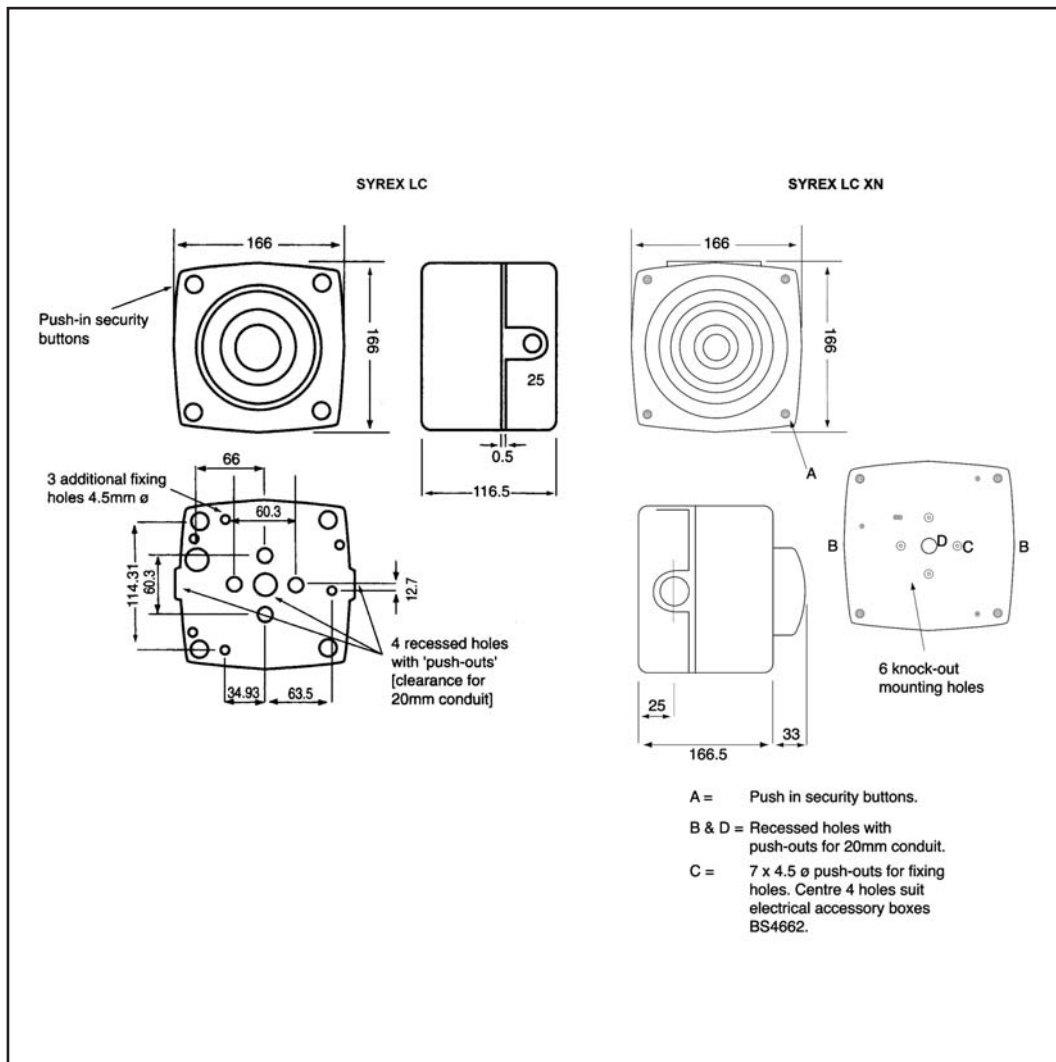
Industrial ✓

Hazardous Area ✗

Security ✓

Railway/Marine ✓

Public Warning ✗



Part No.	Colours	Audibility at 1m	Tones	Voltage	Current
18-980386	Red	107-115dB (A)	32	8-57V DC	13/43mA
18-980387	White	107-115dB (A)	32	8-57V DC	13/43mA
18-980388	Red	107-115dB (A)	32	110/230V AC	45mA
18-980389	White	107-115dB (A)	32	110/230V AC	45mA
18-980391 (XN)	Red body, Red lens	107-115dB (A)	32	12V DC	45mA
18-980392 (XN)	Red body, Red lens	107-115dB (A)	32	24V DC	85-115mA
18-980393 (XN)	Red body, Amber lens	107-115dB (A)	32	24V DC	85-115mA
18-980394 (XN)	Red body, Clear lens	107-115dB (A)	32	24V DC	85-115mA
18-980396 (XN)	Red body, Red lens	107-115dB (A)	32	110/230V AC	33 \pm 3mA@110 Vac
18-980399 (XN)	Red body, Amber lens	107-115dB (A)	32	110/230V AC	OR
18-980400 (XN)	Red body, Clear lens	107-115dB (A)	32	110/230V AC	26 \pm 3mA@230 Vac

IP Rating: IP65
Rating: Continuous
Frequency: Varies according to tone selected (refer to Technical Information section)
Operating temp: -40°C to +55°C
Construction: High Impact ABS Flame Retardant
Cable Entries: 3
Weight: DC versions: 0.6kg; AC versions: 0.8kg

SYREX LC TONE TABLE

TONE	TONE TYPE	DESCRIPTION	TONE APPLICATION	May-03	DIL SWITCH	Sound Level Results *		
				2 ND STAGE		SYREX LC (3T & 6 CASE)		
				TONE		1 μ F	SPL	
				1_2_3_4_5	I(mA)	RMS	PEAK	
1	Continuous	970Hz	BS5839-1:2002	4	O-O-O-O-O	34	105.5	111
2	Alternating	800Hz – 970Hz at 2Hz	BS5839-1:2002	1	I-O-O-O-O	33	105	111.5
3	Sweep	800Hz – 970Hz at 1Hz	BS5839-1:2002	1	O-I-O-O-O	33	104	111.5
4	Intermittent	970Hz 1sec OFF/1sec ON	Apollo Fire Systems Alert Tone (BS5839-1:2002)	1	I-I-O-O-O	14.5	104	111.5
5	Alternating	970Hz for 0.5sec, 630Hz for 0.5 sec	Apollo Fire Systems Evacuation Tone (BS5839-1:2002)	4	O-O-I-O-O	30	104	111.5
6	Alternating	554Hz for 0.1s, 440Hz for 0.4s	AFNOR French fire tone per NF S 32 001 standard	1	I-O-I-O-O	20	99.5	107
7	Intermittent Warble	500 - 1200Hz in 3.75sec followed by 0.5s gap	Dutch fire alarm slow whoop per NEN2575:2000	1	O-I-I-O-O	25	104.5	114
8	Intermittent	420Hz: 0.625sec ON/0.625sec OFF	Australian Alert tone per AS 2220 standard	9	I-I-I-O-O	13	98	107
9	Intermittent Warble	500 - 1200Hz in 3.75sec followed by 0.25s gap	Australian evacuation tone per AS 2220 standard	8	O-O-O-I-O	26	105	113.5
10	Alternating	550Hz – 440Hz at 0.5Hz	Swedish Alarm Tone	1	I-O-O-I-O	22	99	107
11	Intermittent	970Hz: 0.5 sec ON/0.5 sec OFF, 3 times followed by 1.5 sec OFF	ISO 8201 Low tone	12	O-I-O-I-O	16	103.5	111.5
12	Intermittent	2850Hz: 0.5 sec ON/0.5 sec OFF, 3 times followed by 1.5 sec OFF	ISO 8201 High tone	11	I-I-O-I-O	19	106	112
13	Sweep	1200Hz – 500Hz at 1Hz	DIN Industrial Tone	1	O-O-I-I-O	27.5	102.5	113.5
14	Continuous	400Hz	Animal-friendly alarm	6	I-O-I-I-O	18	101	108
15	Alternating	550Hz for 0.7 sec, 1000Hz for 0.33 sec	SafeSound	1	O-I-I-I-O	27	103.5	112
16	Sweep	1500Hz - 2700Hz at 3Hz	Vandal Alarm	1	I-I-I-I-O	45	107.5	115.5
17	Continuous	750Hz		27	O-O-O-O-I	29	102	107
18	Continuous	2400Hz		26	I-O-O-O-I	38	111	115
19	Intermittent	750Hz: 0.33 sec ON/0.51 sec OFF		1	O-I-O-O-I	14	99	108
20	Intermittent	750Hz 0.51 ON/0.33 sec OFF		1	I-I-O-O-I	20	100.5	108
21	Intermittent	800Hz 0.2 sec ON/0.2 sec OFF		1	O-O-I-O-I	17	101	109.5
22	Alternating	510Hz for 0.5 sec, 610Hz for 0.5 sec		4	I-O-I-O-I	23	99	107.5
23	Alternating	550Hz for 0.33 sec, 1000Hz for 0.7 sec		1	O-I-I-O-I	31	105.5	112
24	Sweep	250Hz – 1200Hz at 12Hz		18	I-I-I-O-I	19	99.5	111.5
25	Sweep	500Hz – 1200Hz at 0.33Hz.		18	O-O-O-I-I	28	104	114
26	Sweep	2500Hz – 2850Hz at 7Hz.		18	I-O-O-I-I	46	110	115
27	Warble	600Hz – 900Hz over 0.9 sec cycle		1	O-I-O-I-I	29	102	110.5
28	Warble	660Hz – 680Hz over 0.9 sec cycle		1	I-I-O-I-I	27	101	107
29	Warble	670Hz – 725Hz over 0.9 sec cycle		1	O-O-I-I-I	28	101.5	107.5
30	Warble	920Hz – 750Hz over 0.9 sec cycle		1	I-O-I-I-I	32	103.5	111
31	Intermittent Warble	700Hz - 900Hz 0.3 sec ON/0.6 sec OFF		1	O-I-I-I-I	13	99.5	110.5
32	Intermittent Warble	900Hz - 760Hz. 0.6 sec ON/0.3 sec OFF		1	I-I-I-I-I	21	100	110.5

*B&K MEASURING AMPLIFIER. CURRENT READINGS ARE AVERAGES

Max	46	111	115.5
Average	25.56	102.8594	110.703
Min	13	98	107