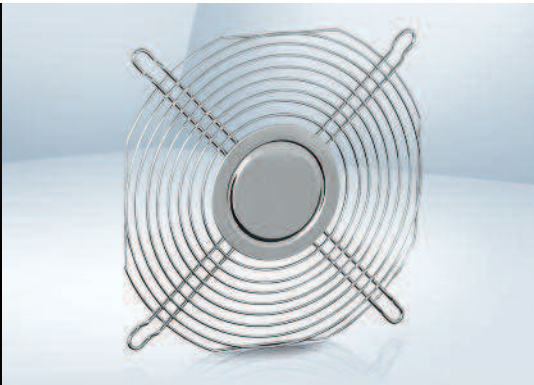


# Finger guards



- **Material:** Galvanized or nickel-plated steel wire
  - **Note:** Finger guard according to DIN EN ISO 13857 (previously EN 294). Additional finger guards that do not satisfy DIN EN ISO 13857 available on request.
- Our finger guards are designed specifically to be used with ebm-papst fans. They combine the highest degree of safety with minimum effect on the operating noise. Please note that the safety-related clearances cannot be guaranteed when finger guards made by other manufacturers are used.

| Fan series | Part no.                 |
|------------|--------------------------|
| 400        | LZ29-1                   |
| 420 J      | LZ29-1                   |
| 500        | LZ31                     |
| 600        | LZ28-1                   |
| 3000       | LZ23-1                   |
| 8000       | LZ32-4 / LZ22-2          |
| 9000       | LZ30-4 / LZ 30 / LZ 30-3 |
| 4000       | LZ30-4 / LZ 30 / LZ 30-3 |

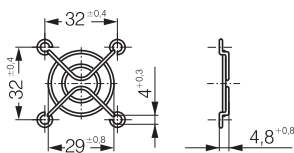
| Fan series | Part no. |
|------------|----------|
| 5100       | LZ25     |
| 5600       | LZ25     |
| 5200       | LZ35     |
| 5300       | LZ53     |
| 5900       | LZ35     |
| 7000       | LZ36     |
| 6300       | LZ37     |
| 6400       | LZ38     |

| Fan series | Part no. | Side          |
|------------|----------|---------------|
| 2200 F     | LZ22     |               |
| DV 4100    | LZ30-4   | Intake/outlet |
| DV 5200    | LZ35     | Intake/outlet |
| DV 6300 TD | LZ37     | Intake side   |
| DV 6300 TD | LZ52     | Outlet side   |
| DV 6400    | LZ38     | Intake side   |
| DV 6400    | LZ39     | Outlet side   |

Subject to change

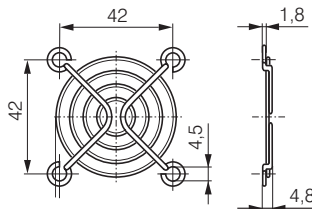
LZ29-1

Fan size 40 x 40



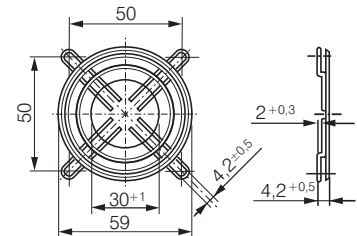
LZ31

Fan size 50 x 50



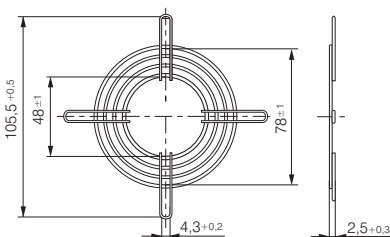
LZ28-1

Fan size 60 x 60



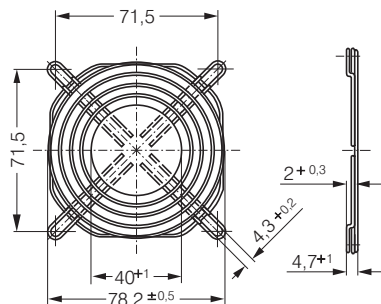
LZ22-2

Fan size 80 x 80



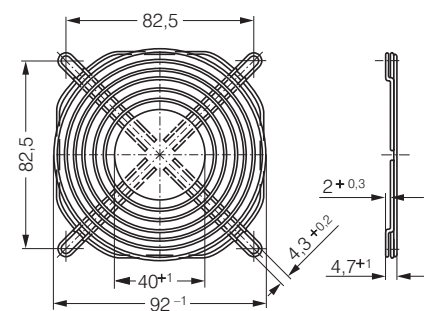
LZ32-4

Fan size 80 x 80

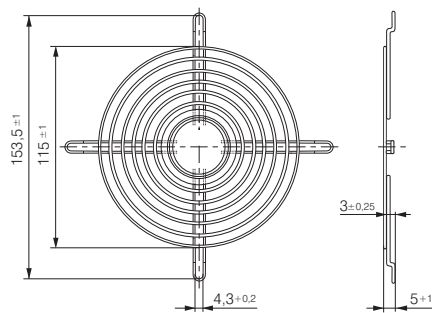


LZ23-1

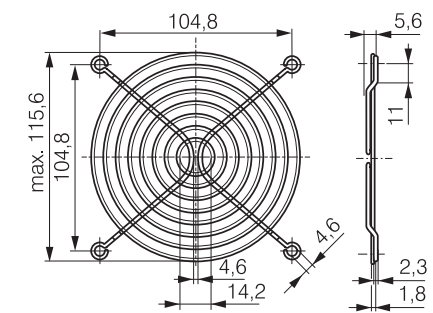
Fan size 92 x 92



**LZ30** Fan size 119 x 119

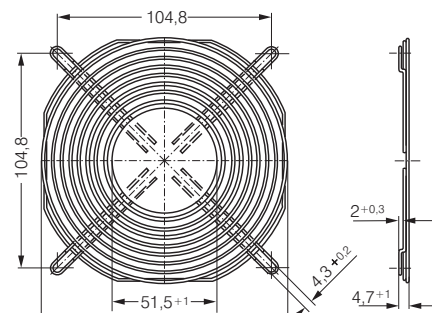


**LZ30-3** Fan size 119 x 119

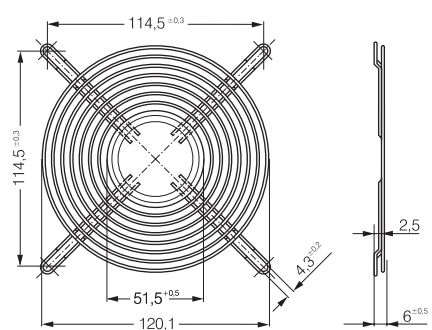


Also called LZ 30  
for North America only.

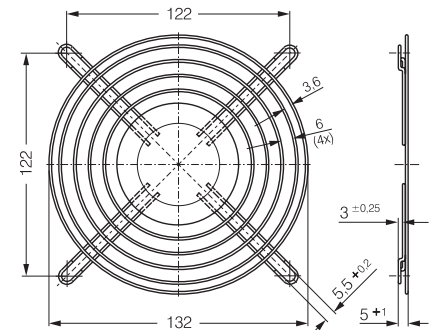
**LZ30-4** Fan size 119 x 119



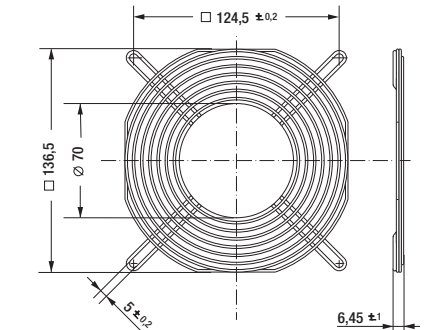
**LZ35** Fan size 127 x 127



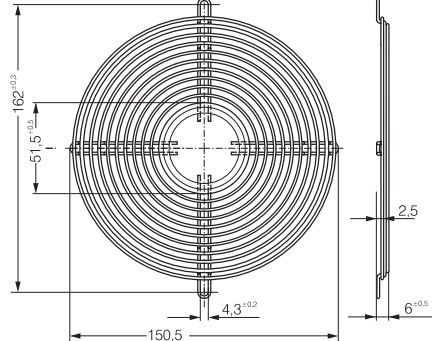
**LZ25** Fan size 135 x 135



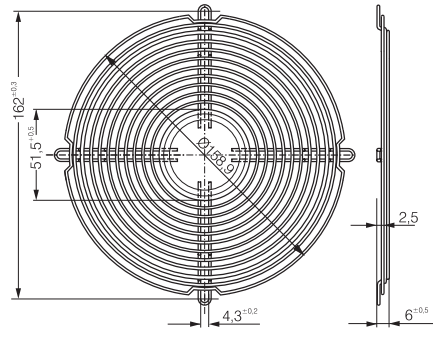
**LZ53** Fan size 140 x 140



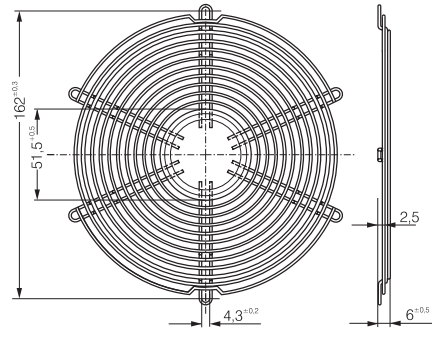
**LZ36** Fan size 150 x 172



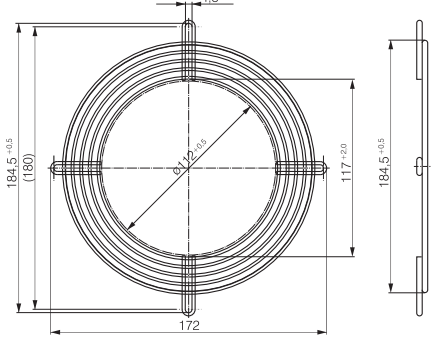
**LZ37** Fan size 172 x 51



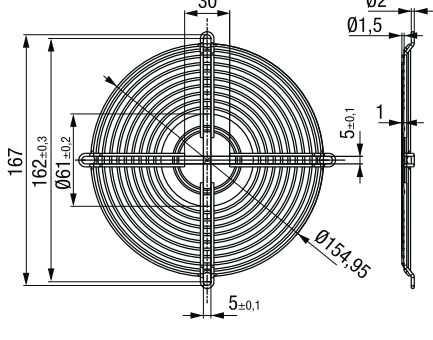
**LZ38** Fan size 172 x 51



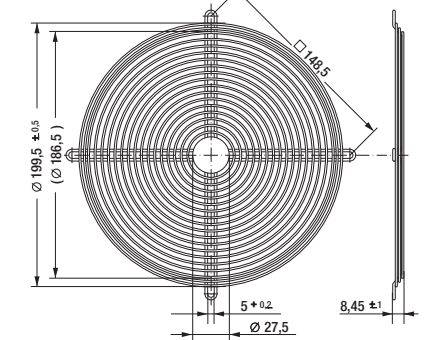
**LZ39** Fan size 172 x 51



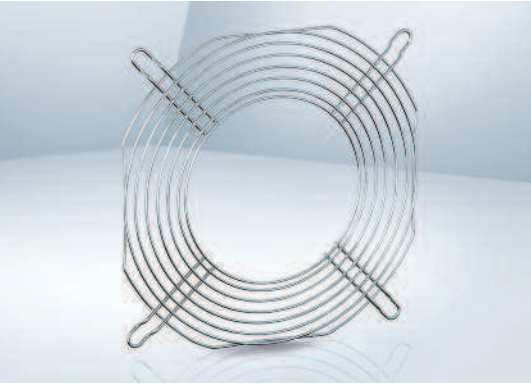
**LZ52** Fan size 172 x 51



**LZ22** Fan size 200 x 51



# Finger guards



- **Material:** Galvanized or nickel-plated steel wire
- **Note:** Finger guard according to DIN EN ISO 13857 (previously EN 294).  
The finger guard detailed on this page are intended specifically for the ACmaxx / GreenTech EC tubeaxial fan ranges and are mounted on the outlet side.

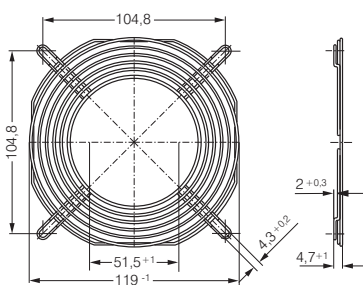
| Fan series | Part no.      | Side   |
|------------|---------------|--------|
| AC 8300 H  | <b>LZ32-4</b> | Intake |
| AC 8300 H  | <b>LZ32-7</b> | Outlet |
| AC 3200 J  | <b>LZ23-1</b> | Intake |
| AC 3200 J  | <b>LZ23-6</b> | Outlet |
| AC 4400 FN | <b>LZ30-4</b> | Intake |
| AC 4400 FN | <b>LZ30-9</b> | Outlet |
| AC 4300    | <b>LZ30-4</b> | Intake |
| AC 4300    | <b>LZ30-9</b> | Outlet |

| Fan series | Part no.      | Side   |
|------------|---------------|--------|
| ACi 4400   | <b>LZ30</b>   | Intake |
| ACi 4400   | <b>LZ30</b>   | Outlet |
| AC 6200 N  | <b>LZ37</b>   | Intake |
| AC 6200 N  | <b>LZ37-2</b> | Outlet |

\* Outlet-side guards on request

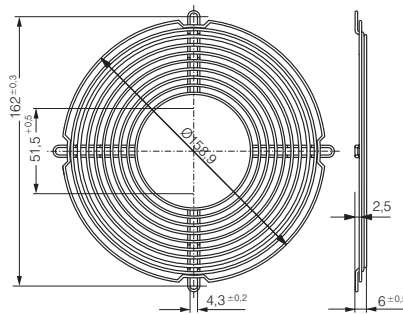
LZ30-9

Fan size 119 X 119



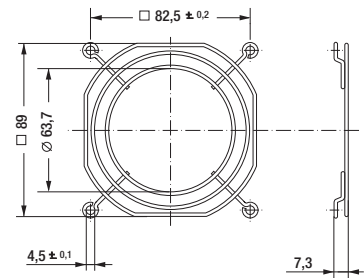
LZ37-2

Fan size Ø 172 X 51



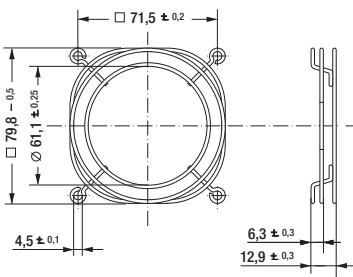
LZ23-6

Fan size 92 x 92



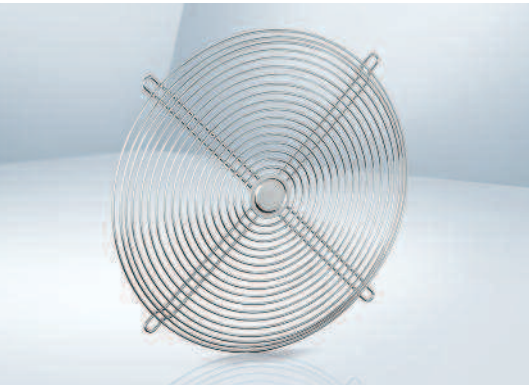
LZ32-7

Fan size 80 x 80



# Finger guards

- **Material:** Steel wire, plastic-coated, with silver-metallic gloss

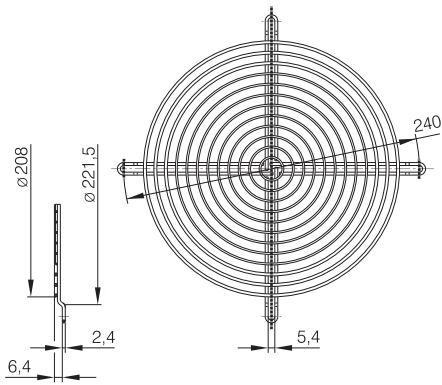


| Fan series | Part no.            |
|------------|---------------------|
| W3G 200    | <b>78128-2-4039</b> |

| Fan series | Part no.            |
|------------|---------------------|
| W1G 250    | <b>09418-2-4039</b> |
| W3G 250    | <b>09418-2-4039</b> |

78128-2-4039

Fan size 200



09418-2-4039

Fan size 250

