




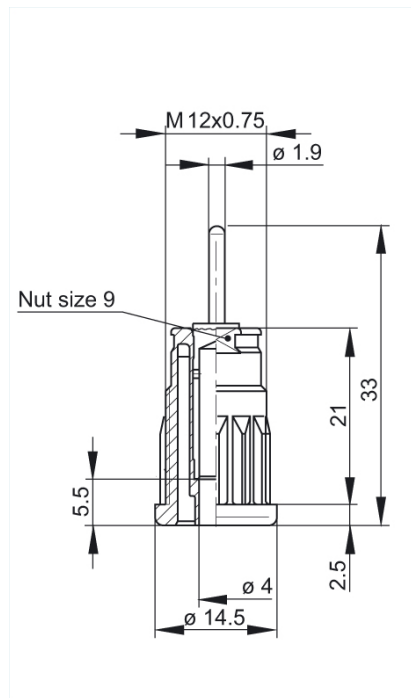
SEP 2630 S1,9 gelb/yellow

Industrial Connectors:Measuring and Testing Equipment:Sockets:4 mm safety system

Product description

Description	Gold-plated brass safety press-in socket, 4 mm diameter, contact-protected, with 1.9 mm soldering spike. For installation into switchpanelswith wall thicknesses between 1 mm and 10 mm.Accessory BES 1000. Installation hole: 12.2 +/-0.1 mm diameter. Entry chamfer: 0.5 x 45 degree.
Type	SEP 2630 S1,9 gelb/yellow
Order No.	972 363-103
System	4 mm safety system
Housing Color	yellow
Color types	
Other standard types	black color, order no. 972 363-100; red color, order no. 972 363-101; blue color, order no. 972 363-102; green color, order no. 972 363-104; yellow/green color, order no. 972 363-188

Drawing



Technical data	
Type of contact	socket
Type of termination	solder
Standard	IEC 61010
Rated voltage	AC/DC 1000 V
Measurement Category	CAT II
Rated current	24 A
Contact resistance	5 mOhm
Mounting	moulded in
Material	
Contact material	brass
Contact surface material	gold-plated
Housing material	PA
Environmental conditions	
Temperature range	-40 °C to +80 °C
Inflammability class	
Housing	94 V-2