


Ordering number C12329
Description 1

Family	Strada-T	FWHM	Asym degrees
Type	Lens	Efficiency	93 %
LED	MX-6	cd/lm	-
Color	Clear	Gerber File	Available
Diameter	19.6 x 15.5 mm		
Height	9.2 mm		
Style	Rectang		
Optic Material	PMMA		
Holder Material	-		
Fastening	-		
Status	Ready		

Ordering number CA12332
Description 1

Family	Strada-T	FWHM	Asym degrees
Type	Assembly	Efficiency	93 %
LED	MX-6	cd/lm	-
Color	Clear	Gerber File	Available
Diameter	19.6 x 15.5 mm		
Height	9.6 mm		
Style	Rectang		
Optic Material	PMMA		
Holder Material	-		
Fastening	-		
Status	Ready		

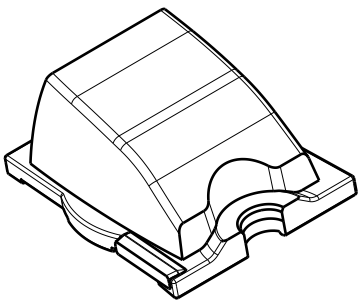


PRODUCT DATASHEET
Strada-T series
last update 11/12/2012

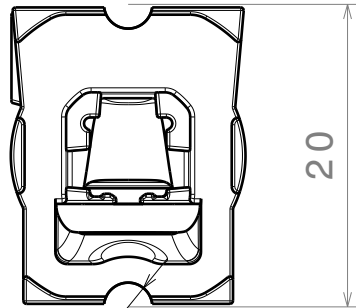
NOTE: The typical divergence will be changed by different color, chip size and chip position tolerance. The typical total divergence is the full angle measured where the luminous intensity is half of the peak value.

D C B A

4



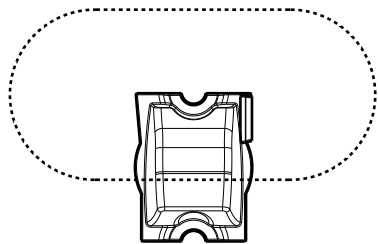
Isometric view



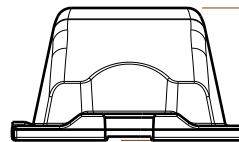
20
fastening

Bottom view

3



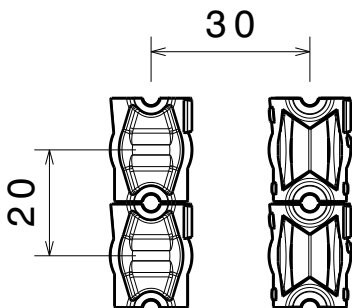
Beam direction



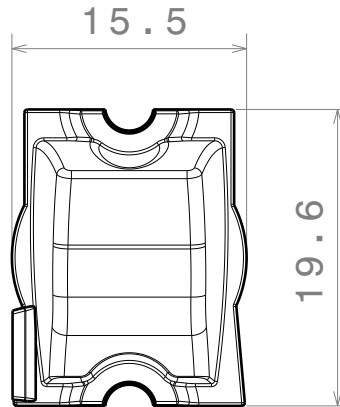
9.2
with tape 9.6

Front view

2



Strada lens arrangement
recomendation



Top view

4

3

2

MATERIALS

Lens: PMMA

Tape(optional): PU Foam

Part no. with tape fastening: CA12332_Strada-T-DN

This drawing is our property.
It can't be reproduced
or communicated without
our written agreement.



Ledil Oy
Salorankatu 10
FIN-24100 SALO
Finland

DRAWING TITLE

Datasheet Strada-T-DN Lens

1

1

DRAWN BY ah	DATE 13.12.2011	DRAWING TITLE		
CHECKED BY vs	DATE 13.12.2011	SIZE A4	DRAWING NUMBER C12329	REV 1
DESIGNED BY hh	DATE 07.09.2011	SCALE 2:1	WEIGHT (g)	SHEET 1/1

D

A