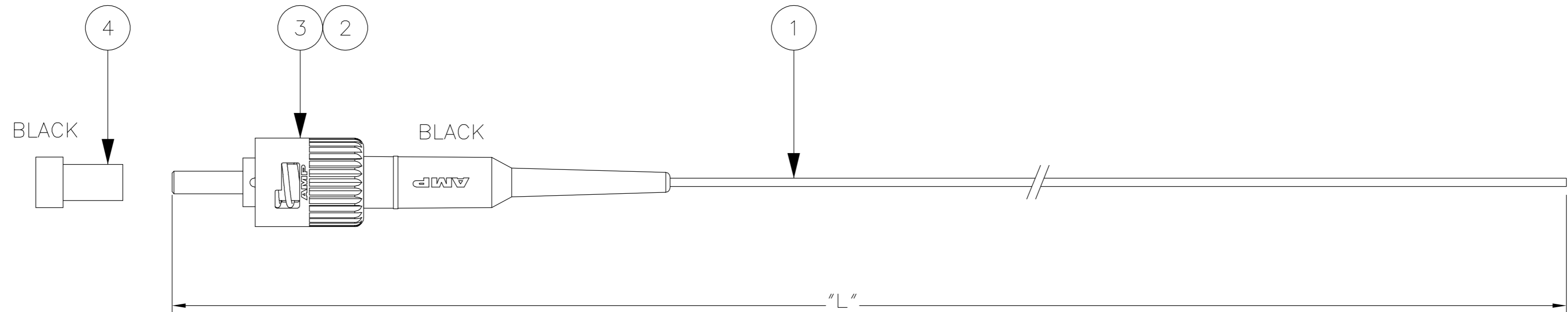


THIS DRAWING IS UNPUBLISHED. RELEASED FOR PUBLICATION
 © COPYRIGHT BY TYCO ELECTRONICS CORPORATION. ALL RIGHTS RESERVED.

LOC	DIST	REVISIONS			
P	LTR	DESCRIPTION	DATE	DWN	APVD
H	-	A	FIRST ISSUE	01 JUL 05	RC JE



NOTES:

- ATTENUATION \leq 0.3 dB, MEASURED AT 1300nm ACC I.E.C. 61300-3-4
EQUILIBRIUM MODE CONDITION
- FILLED OUT TEST RESULT SHEET WILL BE SUPPLIED WITH EACH INDIVIDUALLY PACKED ASSEMBLY.

PART NUMBER	"L" (meter)
0-5349582-1	0,5 -0/+0,1
0-5349582-2	1,0 -0/+0,2
0-5349582-3	1,5 -0/+0,2
0-5349582-4	2,0 -0/+0,2
0-5349582-5	2,5 -0/+0,2
0-5349582-6	3,0 -0/+0,2
0-5349582-7	3,5 -0/+0,2
0-5349582-8	4,0 -0/+0,2
0-5349582-9	4,5 -0/+0,2
1-5349582-0	5,0 -0/+0,2
1-5349582-1	5,5 -0/+0,2
1-5349582-2	6,0 -0/+0,2
1-5349582-3	6,5 -0/+0,2
1-5349582-4	7,0 -0/+0,2
1-5349582-5	7,5 -0/+0,2
1-5349582-6	8,0 -0/+0,2
1-5349582-7	8,5 -0/+0,2
1-5349582-8	9,0 -0/+0,2
1-5349582-9	9,5 -0/+0,2
2-5349582-0	10,0 -0/+0,2

Qty	Part Number	Description	Item
1	-	FERRULE DUST CAP BLACK	4
1	-	SC CERAMIC OVERMOLDED	3
1	-	FOAC BOOT BARE FIBER BLACK	2
L	-	FOCAB 0.9 62.5/125DES BLUE	1

THIS DRAWING IS A CONTROLLED DOCUMENT.		DWN R. COOLEN 01 JUL 05	Tyco Electronics Nederland BV 's-Hertogenbosch, Netherlands	
DIMENSIONS: mm		CHK A. HENGELMOLEN 01 JUL 05	NAME	
		APVD J. ELENBAAS 01 JUL 05	PRODUCT SPEC	
TOLERANCES UNLESS OTHERWISE SPECIFIED:		APPLICATION SPEC		
0 PLC ± -		SIZE		
1 PLC ± -		CAGE CODE		
2 PLC ± -		DRAWING NO		
3 PLC ± -		RESTRICTED TO		
4 PLC ± -		SCALE		
ANGLES ± -		SHEET		
FINISH		OF		
MATERIAL		REV		
-		A		