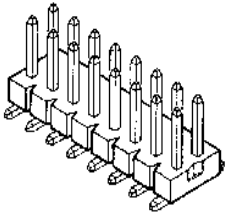


**95157-140LF - BergStik® :**  
**Unshrouded Header, SMT,**  
**Double Row, 40 Positions, 2.54**  
**mm Pitch, Vertical, 5.84 mm**  
**(0.23 in.) Mating**



[www.fci.com](http://www.fci.com)

## Mating Half

- ▶ 87606-320LF
- ▶ 76342-320LF
- ▶ 89898-320LF
- ▶ 71609-320LF

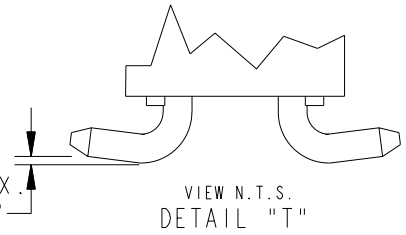
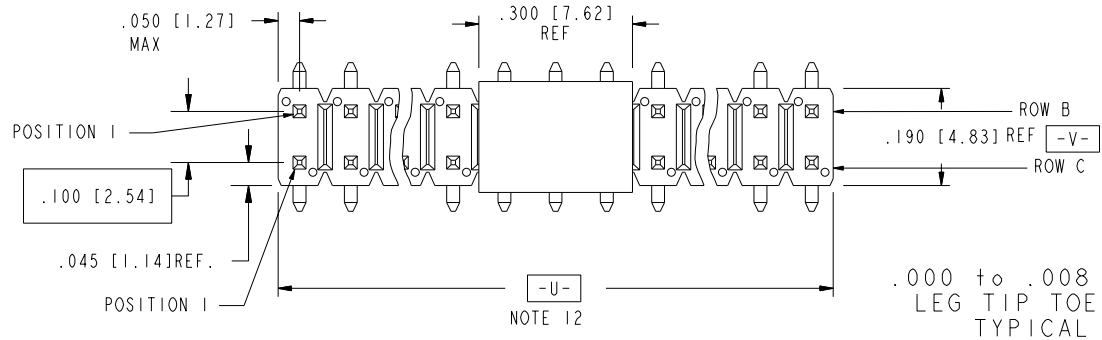
## Specifications

General	
Number of contacts (per row)	20
Number of contacts (Total)	40
Number of rows	2
Orientation	Vertical
Packaging	Bulk Packaging
Attachment type (Board)	Surface Mount
Series Number	95157
Dimensional	
Length (Mating pin)	5.84 mm (0.23 in.)
Length (Overall pin)	10.8 mm (0.425 in.)
Electrical	
Current rating	3 amp Continuous
Resistance (Insulation)	5000 M-ohms
Voltage rating	1500V AC rms
Mechanical	
Retention force	8.88N (2 lbf)
Mounting	
Retention feature (Board)	No
Solder process	IR Reflow Soldering Processes Compatible with Vapor-phase
Physical	
Color (Housing)	Black
Material (Contact)	Phospor Bronze

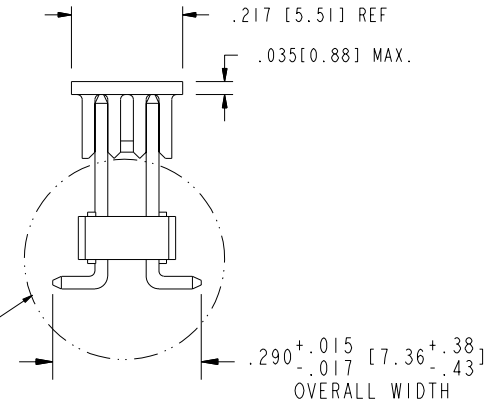
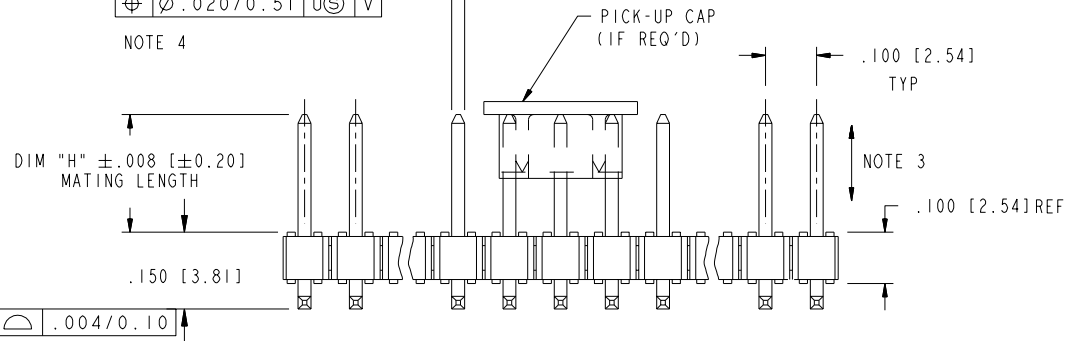
<b>Material (Housing)</b>	High Temperature Black Thermoplastic
<b>Plating (Contact area)</b>	0.76 µm (30 µin.) Gold
<b>Plating (Tail)</b>	Tin
<b>Underplating (Contact)</b>	1.27 µm (50 µin.) Nickel
<b>Flammability rating</b>	UL 94 V-0
<b>Temperature (Range)</b>	-65°C to +125°C
<b>Approvals / Certifications</b>	
<b>UL File Number</b>	E66906
<b>CSA File Number</b>	LR46923
<b>Approvals / Certifications</b>	UL and CSA Approved
<b>Other Features</b>	
<b>Comments</b>	Sample Kit 950501-016
<b>Literature</b>	950559-001

PRODUCT NO.  
XXXXX-XYYP XXX LF

- LEAD FREE OPTION (SEE NOTE 8 & 10)
- POLARIZATION NOTE 12
- PACKAGING OPTIONS (SEE NOTE 6)
- NO. OF POSITIONS (SEE NOTE 5)
- PLATING NUMBER (SEE SHEET 2)
- BASE PART NUMBER (SEE SHEET 4)



□ .025±.001 [0.64±0.03] TYP.  
⊕ ∅ .020/0.51 U S V  
NOTE 4



Copyright FCI.

rev	ecn no	dr	date
AB	M08-0237	MHT	3/03/08
AC	M08-0291	MHT	10/08/08
AD	M08-0326	MHT	11/19/08
AE	M09-0055	MHT	3/26/09
AF	M09-0083	MHT	6/03/09
AG	M09-0131	MHT	8/31/09
AH	N10-0332	David	9/20/10

www.fciconnect.com		surface ISO 1302 ✓	tolerance std ISO 406 ISO 1101	projection ISO 1101	INCH/MM
		TOLERANCES UNLESS OTHERWISE SPECIFIED			
Dr	M.CLOUSER	4/28/95	ANGULAR	size A3	Scale &scal
Eng	T.HANNA	4/28/95	LINEAR	ECN	N10-0332
Chr	T.HANNA	4/28/95	0° ±2°	Product family	Spec ref
Appr	T.HANNA	4/28/95			
FCI		BERGSTIK II HEADER DR		dwg no	95157
		.100cc DUPLEX VERT. SMT			Rev. AH
		catalog no	CUSTOMER	sheet 1 of 5	

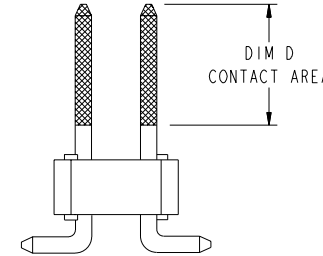
REV F - 2006-04-17

PRODUCT NUMBER	CONTACT AREA "DIM D" PLATING	TAIL PLATING
XXXXX-1YY	30u"/0.76u Au OVER 50u"/1.27u Ni.	100u"/2.54u TIN OVER 50u"/1.27u Ni.
XXXXX-2YY	15u"/0.38u Au OVER 50u"/1.27u Ni.	100u"/2.54u TIN OVER 50u"/1.27u Ni.
XXXXX-1YYLF	30u"/0.76u Au OVER 50u"/1.27u Ni.	100u"/2.54u TIN OVER 50u"/1.27u Ni.
XXXXX-2YYLF	15u"/0.38u Au OVER 50u"/1.27u Ni.	100u"/2.54u TIN OVER 50u"/1.27u Ni.
XXXXX-4YYLF	100u"/2.54u" min Sn OVER 50u"/1.27u min Ni.	100u"/2.54u TIN OVER 50u"/1.27u Ni.

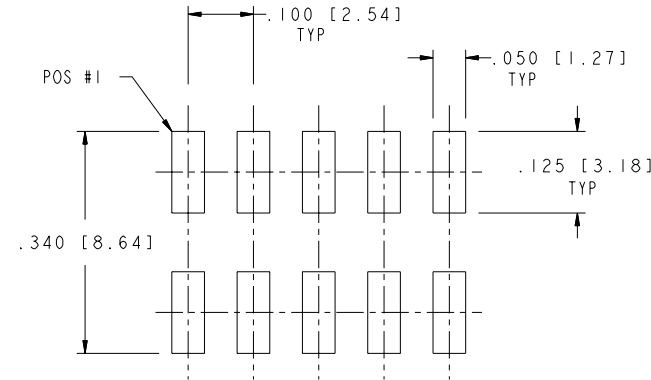
(NOTE 11 & 13)  
 (NOTE 11 & 13)  
 (NOTE 11 & 13)  
 (NOTE 11 & 13)  
 (NOTE 11)

NOTES:

- ① BODY MATERIAL: GLASS FIBER REINFORCED PCT OR PA46 FLAME RETARDENT PER UL-94V-0. COLOR: BLACK  
OR  
MINERAL FILLED LCP FLAME RETARDENT PER UL-94V-0. COLOR: BLACK
- ② PIN MATERIAL: PHOS-BRONZE.
- ③ 2 Lbs / 0.9 Kg MIN PIN RETENTION IN EITHER DIRECTION.
- ④ MEASURED WITH PART IN RESTRAINED CONDITION.
- ⑤ NUMBER OF POSITIONS FROM 4(2X2) THRU 40(2X20) EXCEPT TAPE-ON-REEL AVAILABLE 4(2X2) THRU 34(2X17) ONLY.
- ⑥ PACKAGING OPTIONS: CHECK SPECIFIC PART NUMBERS FOR AVAILABILITY. PART NUMBERS WITHOUT A SUFFIX ARE PACKAGED IN POLY BAGS. PART NUMBERS FOLLOWED BY A "T" SUFFIX ARE PACKAGED IN TUBES. PART NUMBERS FOLLOWED BY A "V" SUFFIX ARE PACKAGED TAPE-ON-REEL WITH A PICK-UP CAP INSTALLED CETRALLY LOCATED. PART NUMBERS FOLLOWED BY A "VM" SUFFIX ARE PACKAGED DIFFERENT TAPE-ON-REEL WITH A PICK-UP CAP INSTALLED CETRALLY LOCATED. AVAILABLE PART NUMBERS SEE TAB. PART NUMBERS FOLLOWED BY A "W" SUFFIX ARE PACKAGED TAPE-ON-REEL WITHOUT A PICK-UP CAP.
- ⑦ CONTACT MARKETING BEFORE ORDERING ODD POSITION PART NUMBERS (2X3, 2X5, 2X7, ETC.).
- ⑧ ADD LF TO THE END OF PART NUMBER FOR LEAD FREE OPTION.
- ⑨ THE HOUSING WILL WITHSTAND EXPOSURE TO 260°C PEAK TEMPERATURE FOR 20 SECONDS IN A CONVECTION, INFRA-RED OR VAPOR PHASE REFLOW OVEN. SEE APPLICATION NOTES/PROCEDURES IF THEY ARE AVAILABLE.
- ⑩ THESE PRODUCTS MEETS EUROPEAN UNION DIRECTIVES AND OTHER COUNTRY REGULATION AS DESCRIBED IN GS-22-008.
- ⑪ "THIS PRODUCT HAS 100% TIN PLATING IN THE INTERFACE AND HAS NOT BEEN TESTED FOR WISKER GROWTH IN ALL INTERCONNECT ENVIROMENTS".
- ⑫ FOR POLARIZATION SPECIFY POSITION NUMBER (i.e. B03 = ROW B POSITION 3) TO OMIT AN OMIT FROM PRODUCT NUMBER IF THIS TEXTURE IS NOT APPLICABLE PRODUCT MANAGER APPROVAL REQUIRED PRIOR TO RELEASE OR SALE OF POLARIZED PRODUCTS.
- ⑬ PLATING OPTIONS: MAY BE EITHER GOLD OR GXT PLATED AT MANUFACTURER'S OPTION.



DOUBLE ROW SMT  
END VIEW



DOUBLE ROW  
RECOMMENDED PAD LAYOUT  
SCALE: 4/1

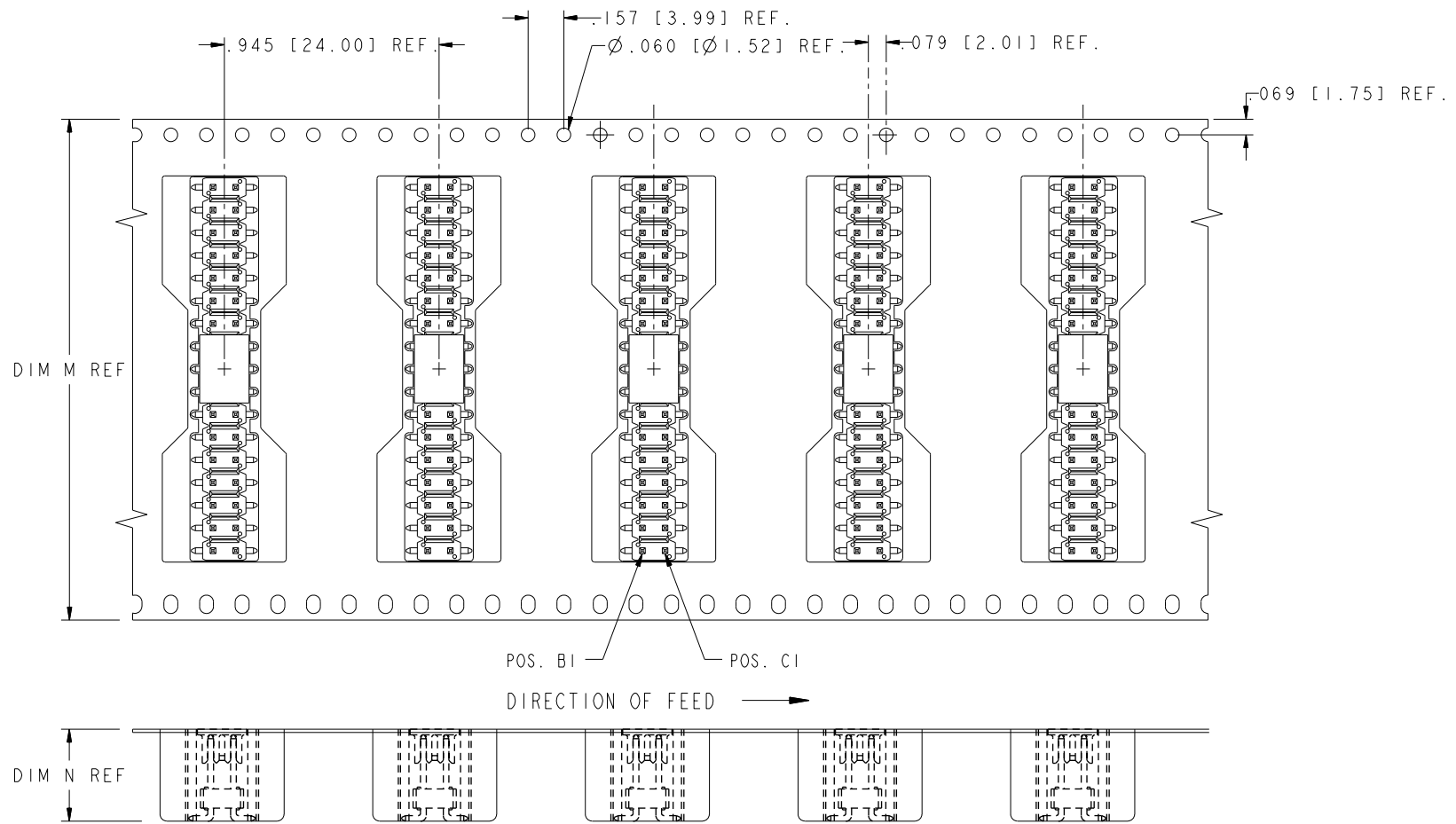


Copyright FCI.

	Title	BERGSTIK 11 HEADER DR	dwg no 95157	Rev. AH
	.100cc DUPLEX VERT. SMT catalog no	CUSTOMER		

REV F - 2006-04-17

PRODUCT NUMBER  
SEE TABLE



Copyright FCJ.

	title	BERGSTIK II HEADER DR	dwg no	95157	Rev.	AH
		.100cc DUPLEX VERT. SMT				
	catalog no		CUSTOMER	sheet 3 of 5		

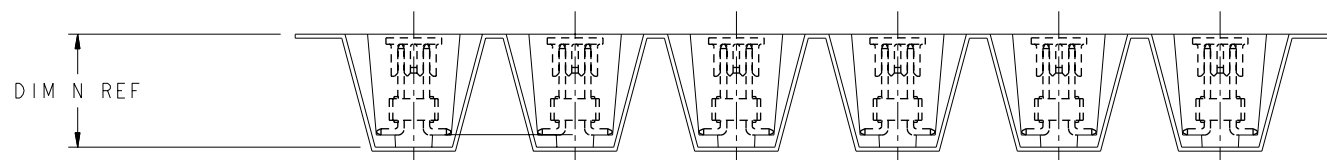
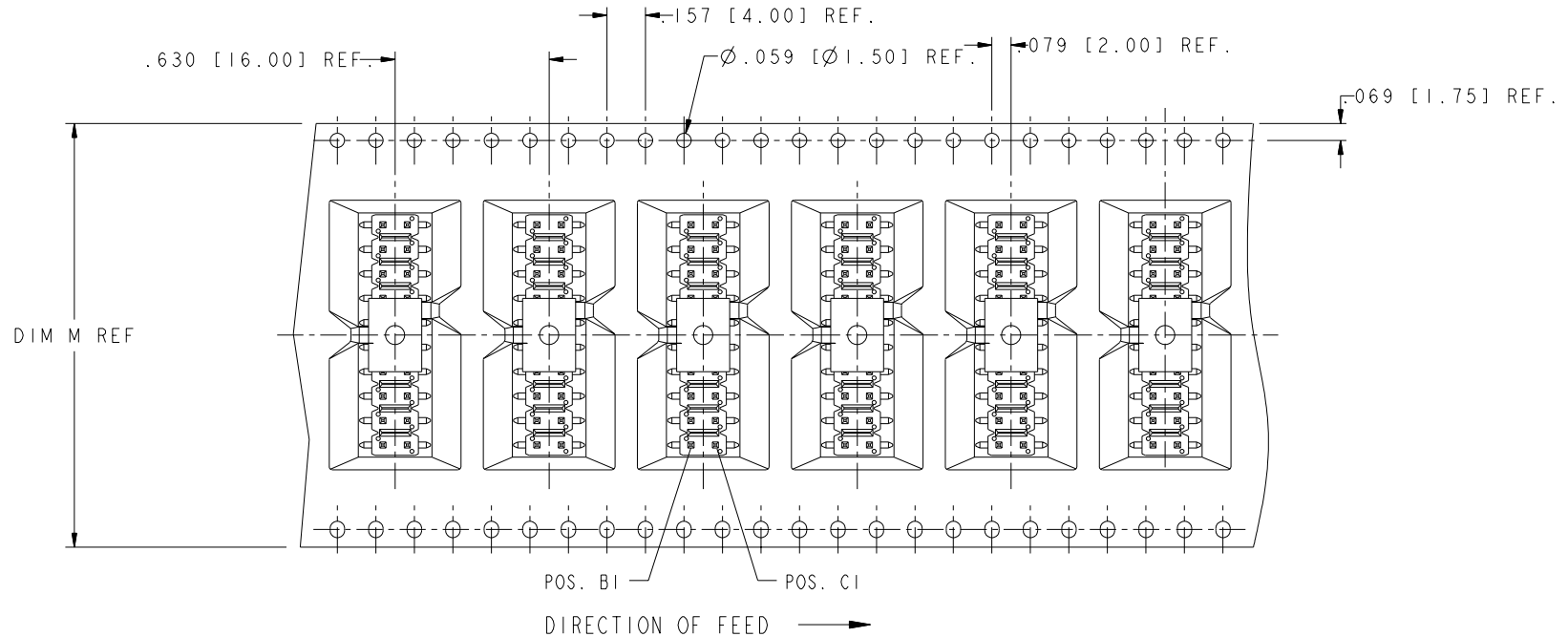
REV F - 2004-04-17

PDM: Rev:AH

STATUS: Released

Printed: Dec 01, 2010

PRODUCT NUMBER  
SEE TABLE



Copyright FCJ.

	title	BERGSTIK II HEADER DR		Rev.
		.100cc DUPLEX VERT. SMT		AH
	catalog no	CUSTOMER	sheet 4 of 5	

REV F - 2006-04-17

PDM: Rev:AH

STATUS: Released

Printed: Dec 01, 2010

1		2			3		4		
PRODUCT NUMBER	MATING LENGTH DIM H	CONTACT AREA DIM D	TAPE WIDTH DIM M	POCKET PITCH	POCKET DEPTH DIM N	PACKAGING	LF OPTION		
55426-XXY	NOT AVAILABLE							SEE NOTES 8, 9, 10 ↓	A
72598-XXY	.330/8.38	.200/5.08	-/-	-/-	-/-	POLY BAGS			
84731-XXY	NOT AVAILABLE								
84733-XXY	NOT AVAILABLE								
95157-XXY	.230/5.84	.185/4.70	2.205/56.00	.945/24.0	.43/11.0	POLY BAGS/TAPE-ON-REEL/TUBES	B		
95157-210V	.230/5.84	.185/4.70	1.26/32	.945/24.0	.43/11.0	TAPE ON REEL			
95157-216V	.230/5.84	.185/4.70	1.73/44	.945/24.0	.43/11.0	TAPE ON REEL			
95157-X10VM	.230/5.84	.185/4.70	.945/24	.630/16.0	.441/11.2	TAPE ON REEL			
95157-X14VM	.230/5.84	.185/4.70	1.73/44	.630/16.0	.441/11.2	TAPE ON REEL			
95157-X16VM	.230/5.84	.185/4.70	1.73/44	.630/16.0	.441/11.2	TAPE ON REEL			
95157-X20VM	.230/5.84	.185/4.70	1.73/44	.630/16.0	.441/11.2	TAPE ON REEL			
95159-XXY	.318/8.08	.200/5.08	2.205/56.00	.945/24.0	.52/13.2	POLY BAGS/TAPE-ON-REEL/TUBES NOTE 7			
98273-XXY	.360/9.14	.200/5.08	-/-	.945/24.0	-/-	POLY BAGS			
71276-XXYH	.230/5.84	.200/5.08	2.205/56.00	.945/24.0	.433/11.00	POLY BAGS/TAPE ON REEL			C
71276-408HV	.230/5.84	.200/5.08	.945/24.00	.945/24.0	.433/11.00	TAPE ON REEL			
71276-410HV2	.230/5.84	.200/5.08	.945/24.00	.945/24.0	.415/10.54	TAPE ON REEL			
71277-XXYH	.318/8.08	.288/7.32	2.205/56.00	.945/24.0	.524/13.28	POLY BAGS/TAPE ON REEL, NOTE 7			
71276-XXYHLF	.230/5.84	.200/5.08	2.205/56.00	.945/24.0	.433/11.00	POLY BAGS/TAPE ON REEL			
71276-408HVLF	.230/5.84	.200/5.08	.945/24.00	.945/24.0	.433/11.00	TAPE ON REEL			
71276-410HV2LF	.230/5.84	.200/5.08	.945/24.00	.945/24.0	.415/10.54	TAPE ON REEL	D		
71277-XXYHLF	.318/8.08	.288/7.32	2.205/56.00	.945/24.0	.524/13.28	POLY BAGS/TAPE ON REEL, NOTE 7			



Copyright FCJ.

	title	BERGSTIK II HEADER DR	dwg no	95157	Rev.	AH
		.100cc DUPLEX VERT. SMT				
	catalog no	CUSTOMER	sheet 5 of 5			

REV F - 2006-04-17