

Interface module - DFLK-D50 SUB/S - 2291286

Please be informed that the data shown in this PDF Document is generated from our Online Catalog. Please find the complete data in the user's documentation. Our General Terms of Use for Downloads are valid (<http://download.phoenixcontact.com>)




The VARIOFACE feed-through module implements a 1:1 connection between plug-in screw connection terminal blocks and a D-SUB miniature pin strip (number of positions: 50). There is no separate ground tap.

Why buy this product

- 9 to 50-pos.
- 9 to 37-pos.: separate ground tap
- 50-pos.: no ground tap
- According to IEC 60807-2
- Screw connection
- 1:1 connection
- D-SUB 4-40 UNC thread



Key commercial data

Packing unit	5 pc
GTIN	 4 017918 058333
Weight per Piece (excluding packing)	146.53 g
Custom tariff number	85369010
Country of origin	Germany

Technical data

Dimensions

Width	39 mm
Height	143.4 mm
Depth	33 mm

Ambient conditions

Ambient temperature (operation)	-20 °C ... 50 °C
Ambient temperature (storage/transport)	-20 °C ... 70 °C

General

Nominal voltage U_N	125 V AC/DC
-----------------------	-------------

Interface module - DFLK-D50 SUB/S - 2291286

Technical data

General

Max. current carrying capacity per branch	2.5 A
Max. total current of all branches	50 A
Number of positions	50
Status display	No
Mounting position	any
Assembly instructions	In rows with zero spacing
Standards/specifications	Air and creepage distances DIN EN 50178 basic insulation
Pollution degree	2
Surge voltage category	II
Rated surge voltage	1.2 kV
Rated insulation voltage	125 V

Connection data for connection 1

Connection name	Field level
Connection in acc. with standard	IEC / EN
Connection method	Screw connection
Conductor cross section solid min.	0.2 mm ²
Conductor cross section solid max.	4 mm ²
Conductor cross section stranded min.	0.2 mm ²
Conductor cross section stranded max.	2.5 mm ²
Conductor cross section AWG/kcmil min.	24
Conductor cross section AWG/kcmil max	12
Stripping length	8 mm
Screw thread	M3

Connection data for connection 2

Connection name	Control system level
Connection method	D-SUB pin strip
Number of positions	50

Classifications

eCl@ss

eCl@ss 4.0	27250313
eCl@ss 4.1	27250313
eCl@ss 5.0	27250313
eCl@ss 5.1	27250313
eCl@ss 6.0	27242608
eCl@ss 7.0	27141152
eCl@ss 8.0	27141152

Interface module - DFLK-D50 SUB/S - 2291286

Classifications

ETIM

ETIM 2.0	EC001434
ETIM 3.0	EC001604
ETIM 4.0	EC001604
ETIM 5.0	EC002780

UNSPSC

UNSPSC 6.01	30211824
UNSPSC 7.0901	39121421
UNSPSC 11	39121421
UNSPSC 12.01	39121421
UNSPSC 13.2	39121421

Approvals

Approvals

Approvals

UL Recognized / cUL Recognized / GOST / cULus Recognized

Ex Approvals

Approvals submitted

Approval details

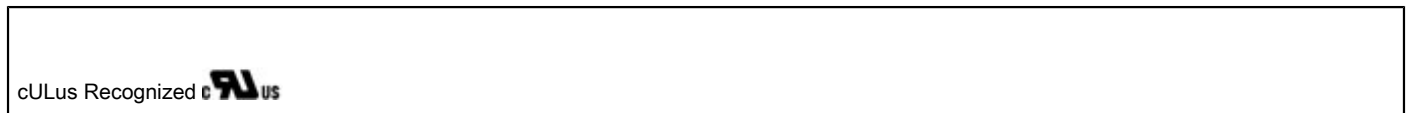
UL Recognized	
mm ² /AWG/kcmil	30-12
Nominal current I _N	2.5 A
Nominal voltage U _N	125 V

cUL Recognized	
mm ² /AWG/kcmil	30-12
Nominal current I _N	2.5 A

Interface module - DFLK-D50 SUB/S - 2291286

Approvals

Nominal voltage UN	125 V
--------------------	-------



Accessories

Accessories

System cable

Cable - CABLE-D50SUB/B/S/ 50/KONFEK/S - 2302269



Round shielded cable set, with 50-pos. D-SUB female and male connectors, cable length: 0.5 m

Cable - CABLE-D50SUB/B/S/100/KONFEK/S - 2302272



Round shielded cable set, with 50-pos. D-SUB female and male connectors, cable length: 1 m

Cable - CABLE-D50SUB/B/S/150/KONFEK/S - 2302285



Round shielded cable set, with 50-pos. D-SUB female and male connectors, cable length: 1.5 m

Cable - CABLE-D50SUB/B/S/200/KONFEK/S - 2302298



Round shielded cable set, with 50-pos. D-SUB female and male connectors, cable length: 2 m

Interface module - DFLK-D50 SUB/S - 2291286

Accessories

Cable - CABLE-D50SUB/B/S/300/KONFEK/S - 2302308



Round shielded cable set, with 50-pos. D-SUB female and male connectors, cable length: 3 m

Cable - CABLE-D50SUB/B/S/400/KONFEK/S - 2302311



Round shielded cable set, with 50-pos. D-SUB female and male connectors, cable length: 4 m

Cable - CABLE-D50SUB/B/S/600/KONFEK/S - 2302324



Round shielded cable set, with 50-pos. D-SUB female and male connectors, cable length: 6 m

Cable - CABLE D-SUB-S/.../.../... - 2302340



Shielded round cable, assembled with one D-SUB male and one female connector, variable cable length

Cable - CABLE D-SUB-B-B-S/.../.../... - 2302421



Shielded round cable, assembled with two D-SUB female connectors, variable cable length

Interface module - DFLK-D50 SUB/S - 2291286

Accessories

Cable - CABLE-D-50SUB/F/OE/0,25/S/0,5M - 2926292



Shielded cable with a 50-pos. D-SUB female connector and one open end. The individual wires are labeled 1 to 50 and fitted with ferrules. The braided shield is routed to a separate cable end. Cable length: 0.5 m.

Cable - CABLE-D-50SUB/F/OE/0,25/S/1,0M - 2926302



Shielded cable with a 50-pos. D-SUB female connector and one open end. The individual wires are labeled 1 to 50 and fitted with ferrules. The braided shield is routed to a separate cable end. Cable length: 1 m.

Cable - CABLE-D-50SUB/F/OE/0,25/S/1,5M - 2926315



Shielded cable with a 50-pos. D-SUB female connector and one open end. The individual wires are labeled 1 to 50 and fitted with ferrules. The braided shield is routed to a separate cable end. Cable length: 1.5 m.

Cable - CABLE-D-50SUB/F/OE/0,25/S/2,0M - 2926328



Shielded cable with a 50-pos. D-SUB female connector and one open end. The individual wires are labeled 1 to 50 and fitted with ferrules. The braided shield is routed to a separate cable end. Cable length: 2 m.

Cable - CABLE-D-50SUB/F/OE/0,25/S/3,0M - 2926331



Shielded cable with a 50-pos. D-SUB female connector and one open end. The individual wires are labeled 1 to 50 and fitted with ferrules. The braided shield is routed to a separate cable end. Cable length: 3 m.

Interface module - DFLK-D50 SUB/S - 2291286

Accessories

Cable - CABLE-D-50SUB/F/OE/0,25/S/4,0M - 2926344



Shielded cable with a 50-pos. D-SUB female connector and one open end. The individual wires are labeled 1 to 50 and fitted with ferrules. The braided shield is routed to a separate cable end. Cable length: 4 m.

Cable - CABLE-D-50SUB/F/OE/0,25/S/6,0M - 2926357



Shielded cable with a 50-pos. D-SUB female connector and one open end. The individual wires are labeled 1 to 50 and fitted with ferrules. The braided shield is routed to a separate cable end. Cable length: 6 m.

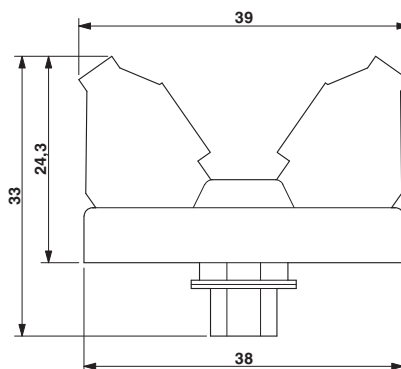
Cable - CABLE-D-50SUB-F-OE-0,25-S/... - 2900908



Shielded cable with a 50-pos. D-SUB female connector and one open end. The individual wires are labeled 1 to 50 and fitted with ferrules. The braided shield is routed to a separate cable end. Cable length: variable.

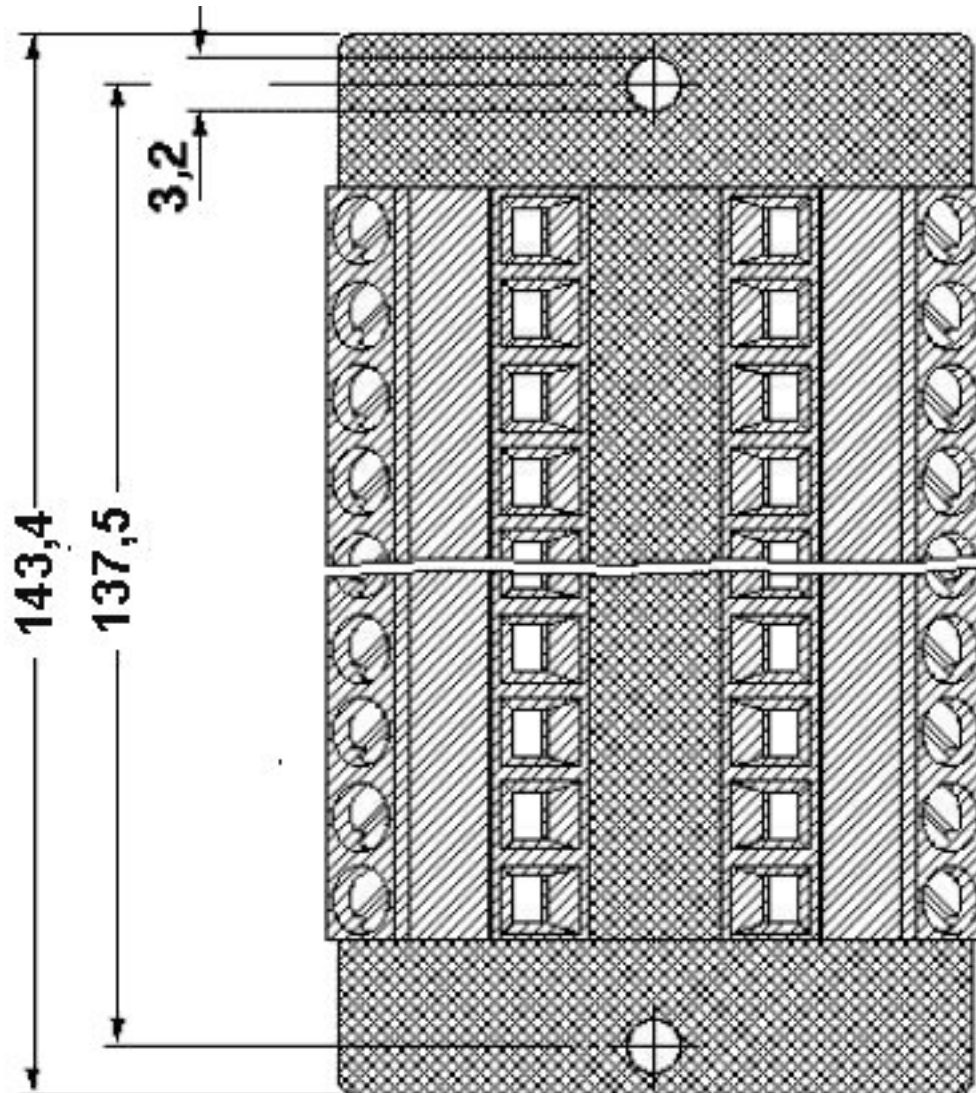
Drawings

Dimensioned drawing



Interface module - DFLK-D50 SUB/S - 2291286

Dimensioned drawing



Interface module - DFLK-D50 SUB/S - 2291286

