


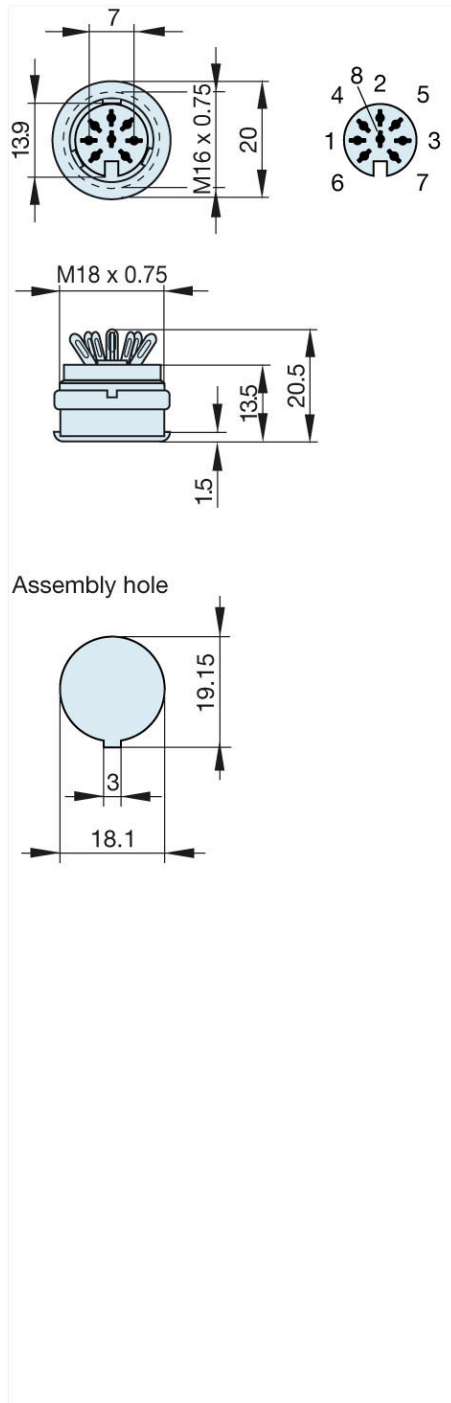


## Product information MAB 8100 SN grau/grey

Industrial Connecting Solutions:Circular Connectors:Audio/Video Connectors:DIN EN 60 130-09 Connectors (MAS/MAK series):with locking screw:Panel-mounted sockets:MAB 8100 SN grau/grey  
<http://e-catalog.hirschmann.com/link/57078-24228-256281-256282-24384-24391-24392-34653/en/conf/uistate>

Name	MAB 8100 SN grau/grey
	
	panel-mounted socket with locking screw; solder joint; not shielded
<b>Delivery informations</b>	
Availability	available
<b>Product description</b>	
Type	MAB 8100 SN grau/grey
Order No.	931 749-517
Type of contact	female
Colour	grey
Description	panel-mounted socket with locking screw; solder joint; not shielded
Number of contacts	8
Conductor size	$\leq 0.34 \text{ mm}^2$
<b>Technical data</b>	
LF output "Phone"	EN 60 130-09
Pole arrangement DIN	DIN 45 326
Rated current	4 A
Rated voltage	AC/DC 34 V
Type of termination	solder
<b>Material</b>	
Contact material (socket)	brass
Contact surface material	tin plated
Contact bearer material	PA 66/UL standard 94V-2
Housing material	PE
<b>Environmental conditions</b>	
Protection class (IEC 60529)	IP 30
Temperature range	-20 °C to +60 °C

Picture  
Drawing





**HIRSCHMANN**

A **BELDEN** BRAND

**Belden Deutschland GmbH**

Im Gewerbepark 2

58579 Schalksmühle

Germany

Phone: +49 7127/14-1806

E-Mail: [icos-sales@belden.com](mailto:icos-sales@belden.com)

The information published in the websites has been compiled as carefully as possible. It is subject to alteration without notice in technical as well as in price-related/commercial respect. The complete information and data were available on user documentation. Mandatory information can only be obtained by a concrete query.