

Professionally approved products.

Datasheet

150 mm Digital Caliper, Imperial or Metric

RS Stock number [725-5682](#)

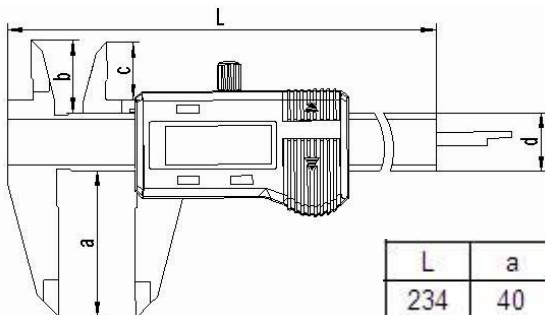


Description

- Electronic Digital Caliper constructed from Stainless Steel
- Beam & slider are heat-treated
- Measuring face specially hardened and finished
- Provides a direct and clear display
- Functions of prompt transference of the digital system between metric and inch.
- RS232 output
- Digital capacitive measuring system

Specifications

- | | |
|----------------------|----------|
| • Accuracy | ±0.02 mm |
| • Caliper Type | Digital |
| • Capacity | 150mm |
| • Display Type | Digital |
| • Imperial or Metric | Both |
| • Resolution | 0.01mm |



L	a	b	c	d
234	40	20	16	16